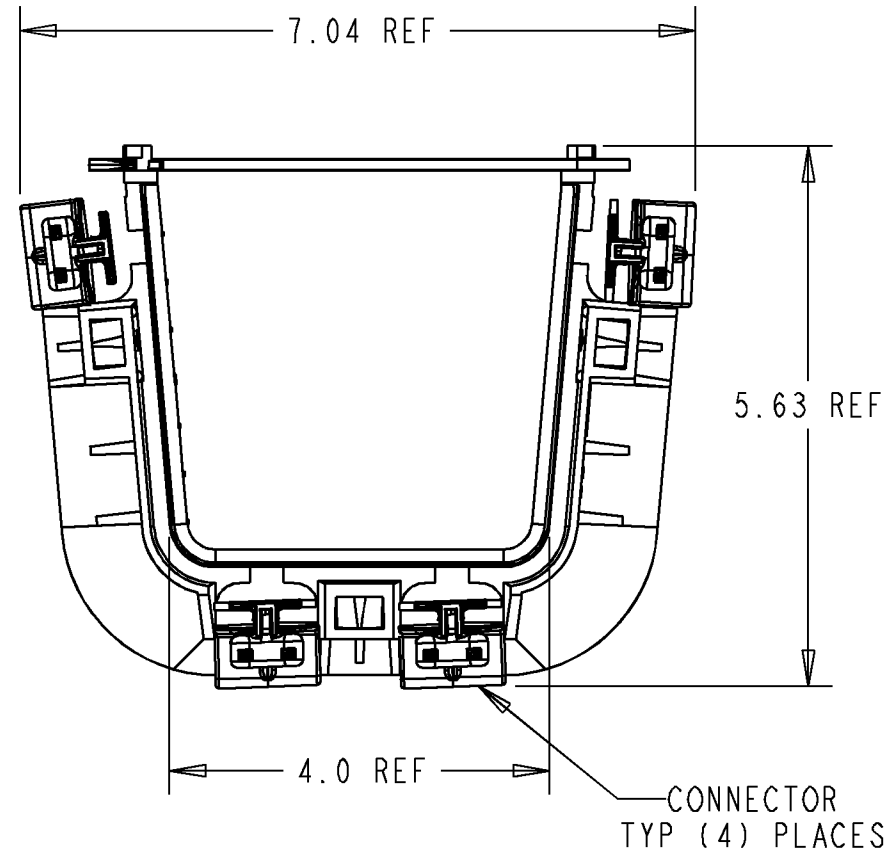
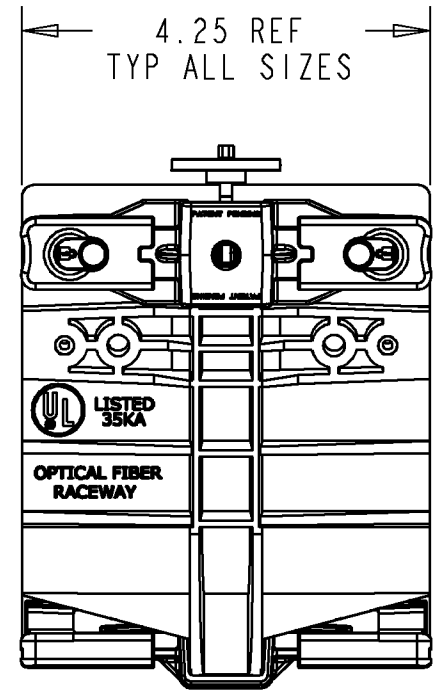


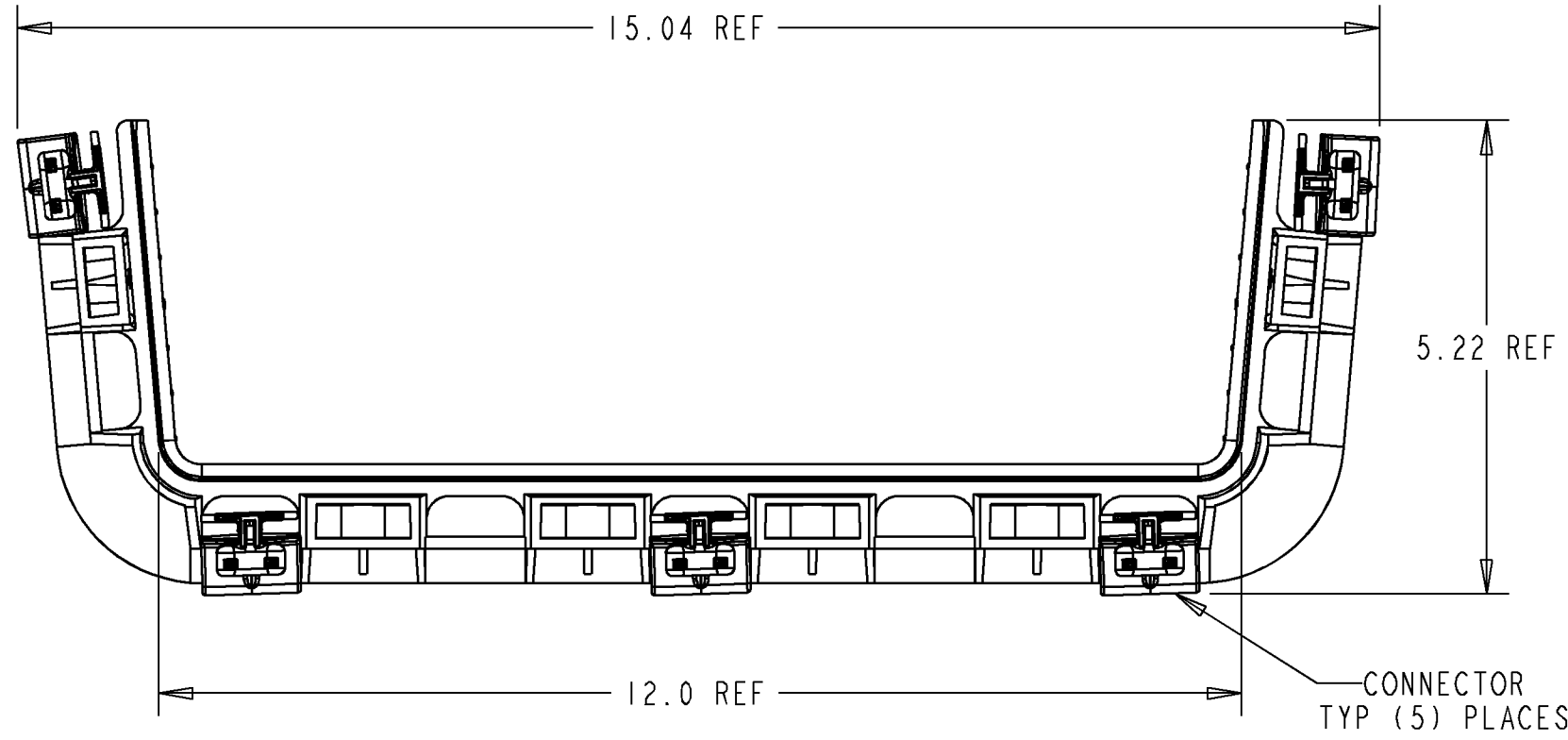
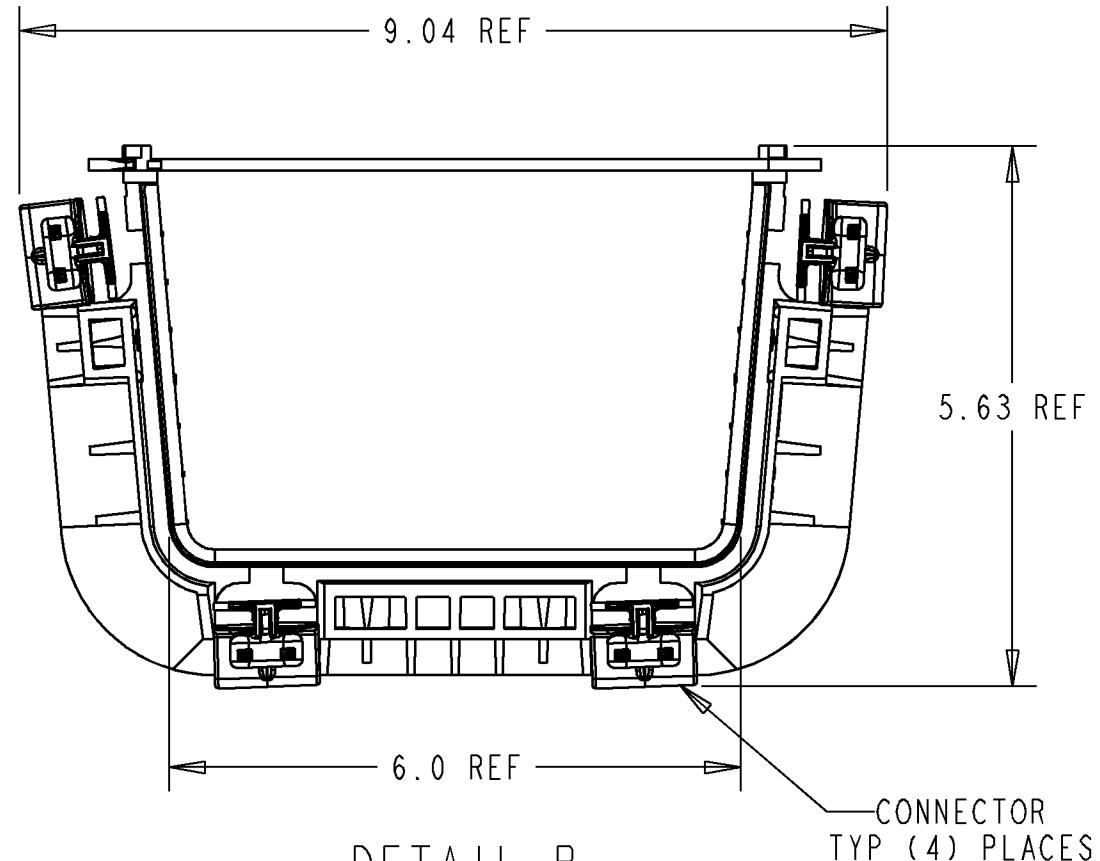
REV	MCO	DWN	DATE
D	20235519	GRL	12-MAR-08
E	20237120	AED	07-APR-08



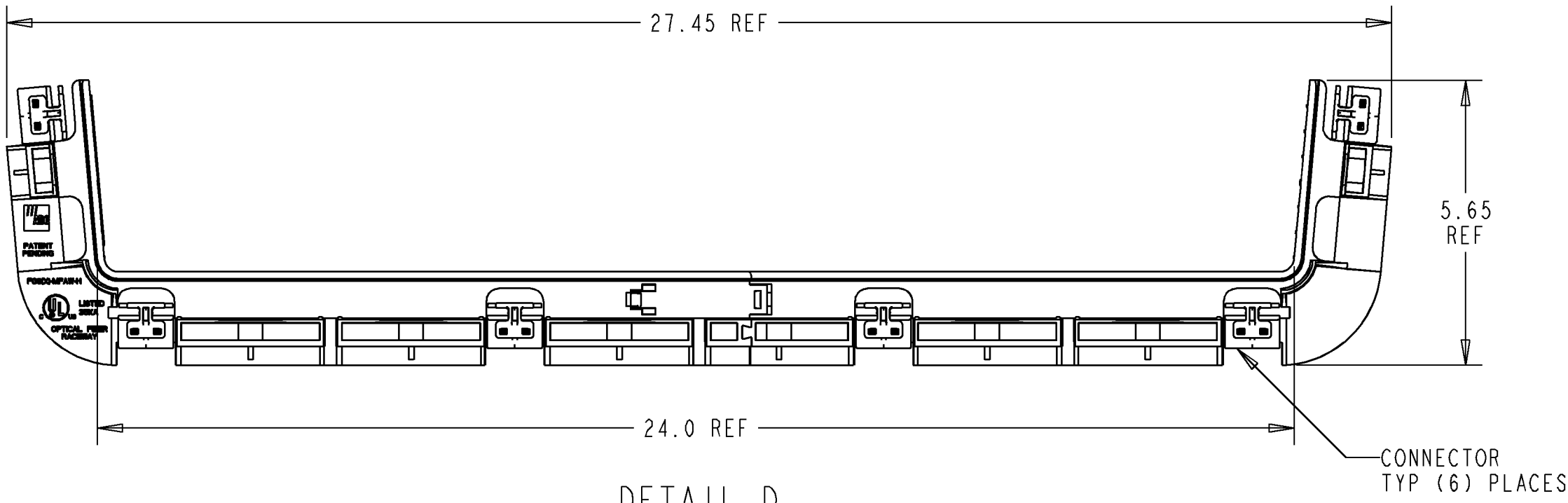
DETAIL A
4 X 4 JUNCTION



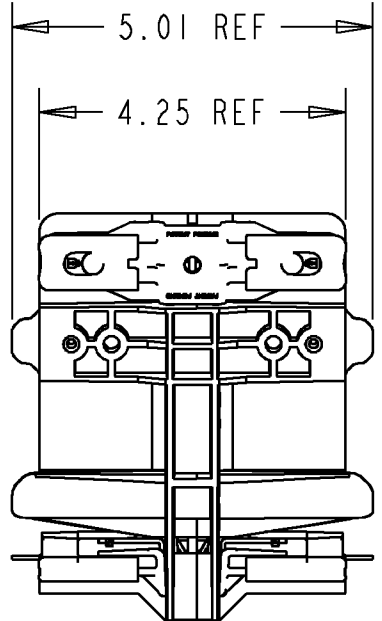
DETAIL B
4 X 6 JUNCTION



DETAIL C
4 X 12 JUNCTION



DETAIL D
4 X 24 JUNCTION



NOTES:

- PATENT PENDING
- SEE SHEET 2 FOR INSTALLATION INSTRUCTIONS.

CATALOG NO.	SIZE	COLOR	SEE DETAIL
FGSB-MFAW-A	4 X 4	BLACK	A
FGSB-MFAW-H	4 X 24	BLACK	D
FGSB-MFAW-F	4 X 12	BLACK	C
FGSB-MFAW-B	4 X 6	BLACK	B
FGS-MFAW-A	4 X 4	YELLOW	A
FGSO-MFAW-A	4 X 4	ORANGE	A
FGS-MFAW-B	4 X 6	YELLOW	B
FGSO-MFAW-B	4 X 6	ORANGE	B
FGS-MFAW-F	4 X 12	YELLOW	C
FGSO-MFAW-F	4 X 12	ORANGE	C
FGS-MFAW-H	4 X 24	YELLOW	D
FGSO-MFAW-H	4 X 24	ORANGE	D



INFORMATION ON THIS DOCUMENT IS PROPRIETARY TO ADC AND SHALL NOT BE USED, COPIED, REPRODUCED OR DISCLOSED IN WHOLE OR IN PART WITHOUT WRITTEN CONSENT OF ADC.

TITLE: JUNCTION, SNAP-FIT, INSTALLATION DRAWING

ALL DIMS AND TOLERANCES ARE INCHES UNLESS OTHERWISE SPECIFIED	.XX:±.XX .XXX:±.XXX ANGULAR:±N/A	C SIZE	DRAWING NUMBER 1254813	E REV
DO NOT SCALE DRAWING	ENGR: DEREK SAYRES DWN: DEREK SAYRES	SHT. 1 OF 2		

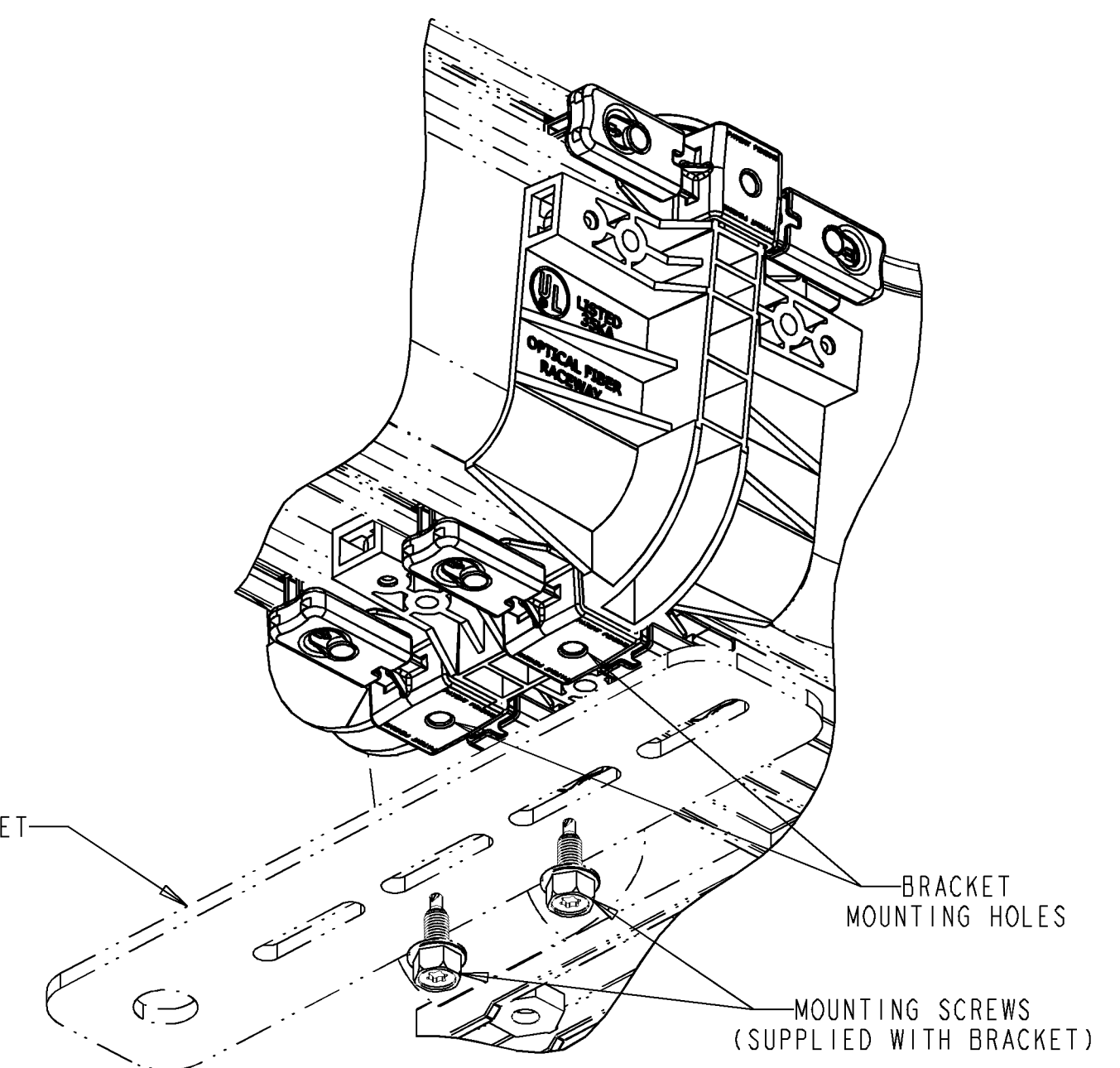
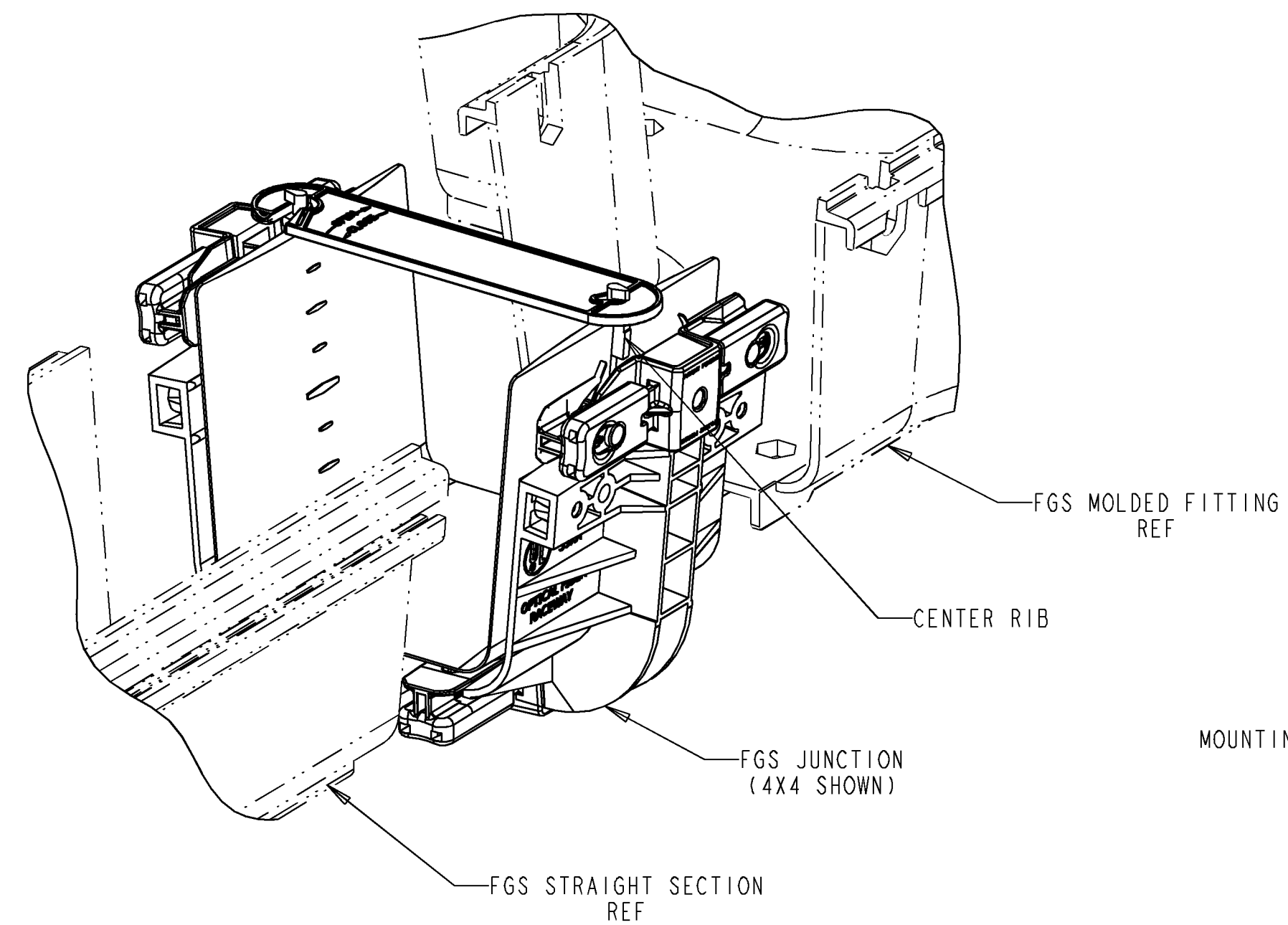
DIMENSIONS IN INCHES
THIRD ANGLE PROJECTION

A

B

C

D



COMPLETED ASSEMBLY
(ALTERNATE MOUNTING BRACKET POSITION SHOWN)

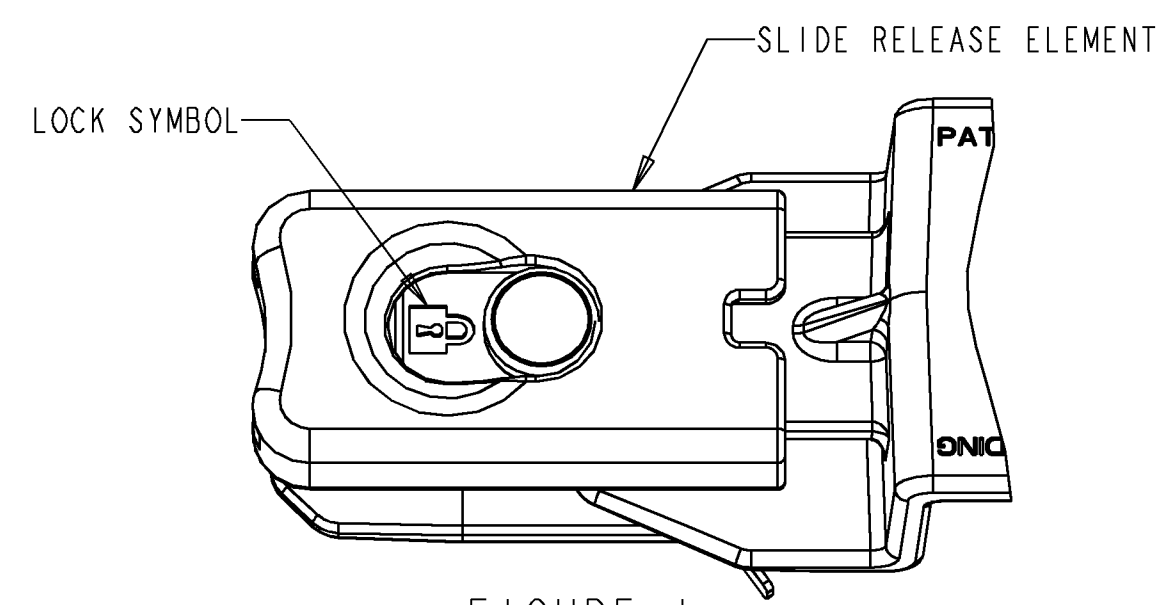


FIGURE 1
LOCKED POSITION
(FOR INSTALLATION OF JUNCTION)
SCALE 2.000

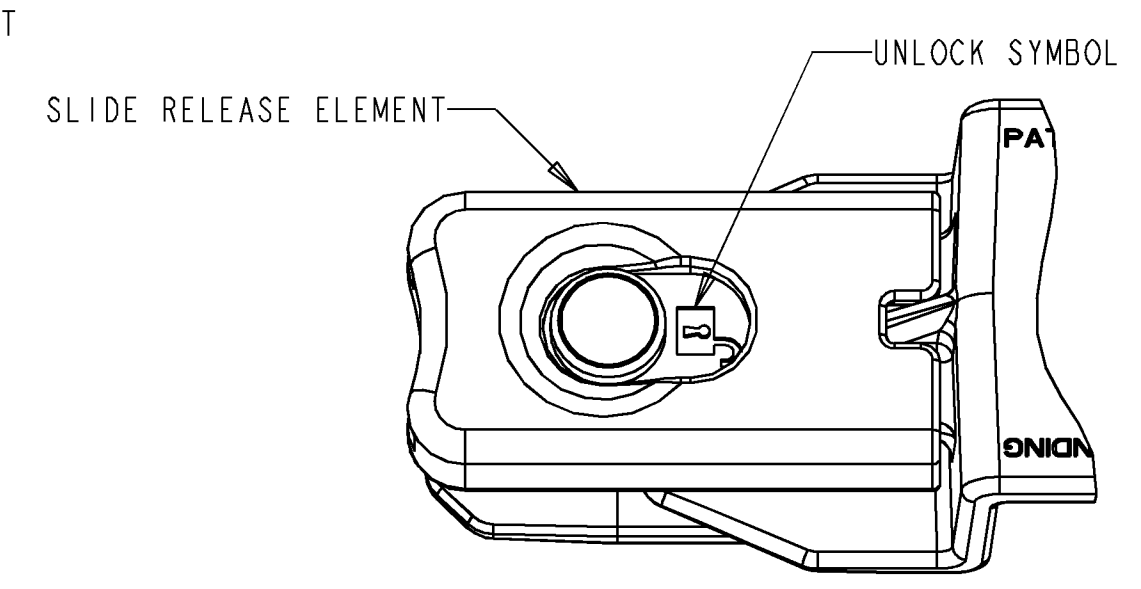


FIGURE 2
UNLOCKED POSITION
(FOR REMOVAL OF JUNCTION)
SCALE 2.000

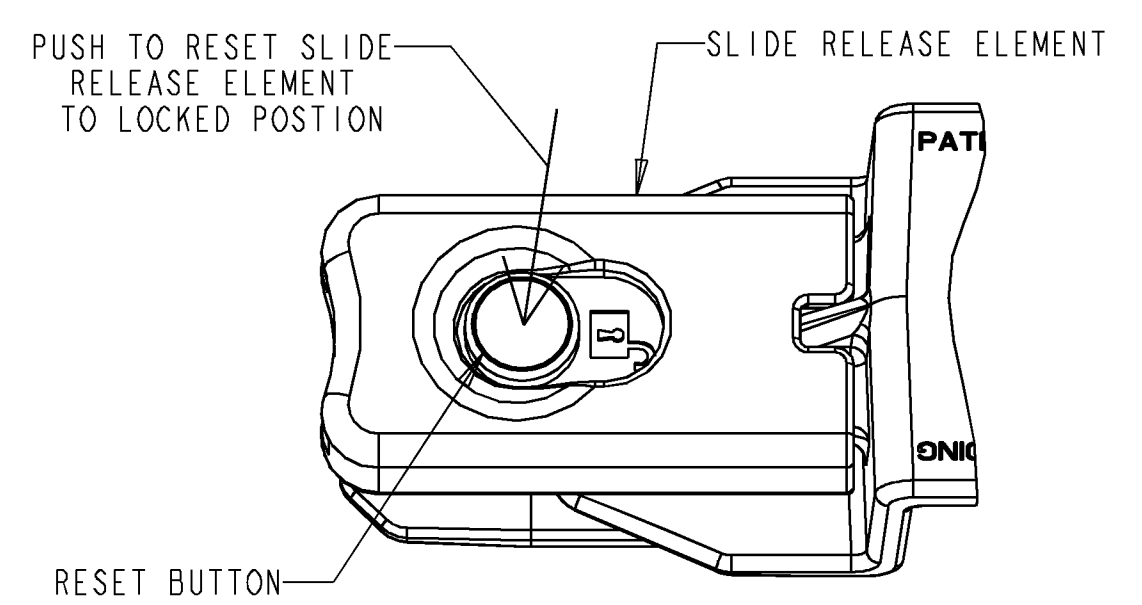


FIGURE 3
SCALE 2.000

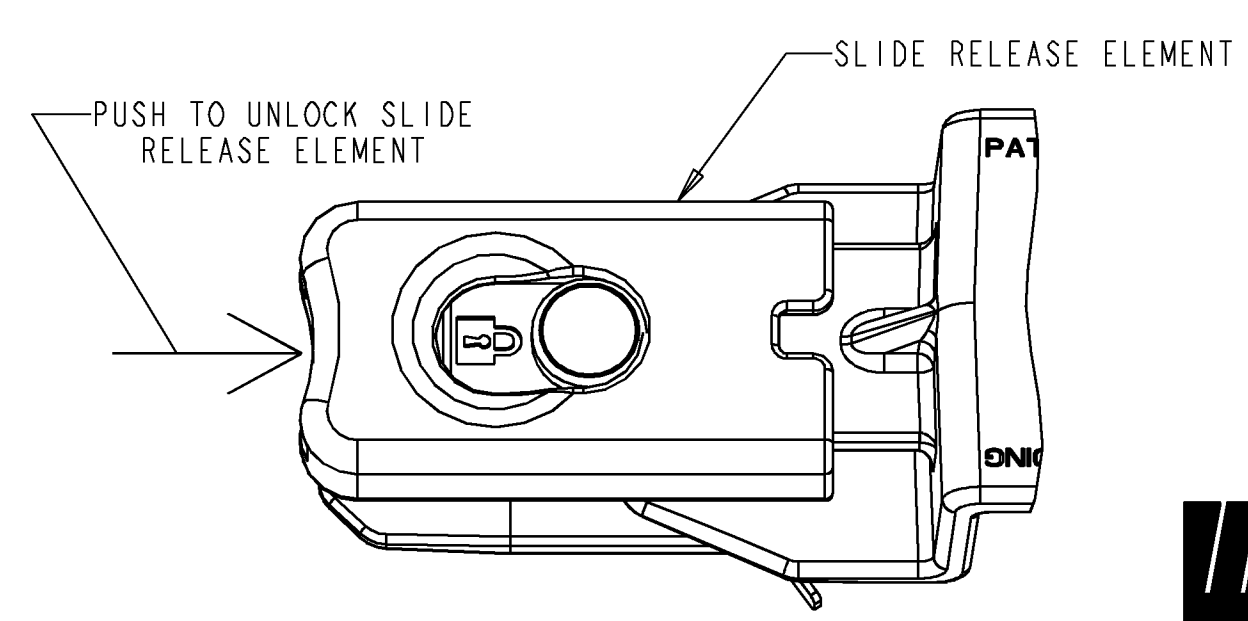


FIGURE 4
SCALE 2.000

INSTALLATION INSTRUCTIONS:

1. VERIFY THAT THE SLIDE RELEASE ELEMENTS ARE IN THE LOCKED POSITION (FIGURE 1).
2. IF SLIDE RELEASE ELEMENTS ARE IN THE UNLOCKED POSITION (FIGURE 2) PUSH THE RESET BUTTON (FIGURE 3) TO RELEASE THE SLIDE RELEASE ELEMENTS TO THE LOCKED POSITION (FIGURE 1).
3. SLIDE JUNCTION ONTO COMPONENT UNTIL FIRMLY SEATED AGAINST THE CENTER RIB.
4. JUNCTION INSTALLATION IS NOW COMPLETE.

REMOVAL INSTRUCTIONS:

1. PUSH THE SLIDE RELEASE ELEMENTS INWARD (FIGURE 4), ON THE COMPONENT SIDE YOU WANT TO RELEASE, UNTIL IT SNAPS INTO THE UNLOCKED POSITION (FIGURE 2).
2. REMOVE JUNCTION FROM COMPONENT.
3. TO PREPARE JUNCTION FOR NEXT INSTALLATION, SEE STEP 2 UNDER INSTALLATION INSTRUCTIONS.



INFORMATION ON THIS DOCUMENT IS PROPRIETARY TO ADC AND SHALL NOT BE USED, COPIED, REPRODUCED OR DISCLOSED IN WHOLE OR IN PART WITHOUT WRITTEN CONSENT OF ADC.		TITLE JUNCTION, SNAP-FIT, INSTALLATION DRAWING	
ALL DIMS AND TOLERANCES ARE INCHES UNLESS OTHERWISE SPECIFIED	.XX:±N/A .XXX:±N/A ANGULAR:±N/A	C SIZE	DRAWING NUMBER 1254813
DO NOT SCALE DRAWING	ENGR: TIM HAATAJA DWN: TIM HAATAJA	SHT. 2 OF 2	

DIMENSIONS IN INCHES
THIRD ANGLE PROJECTION