

A

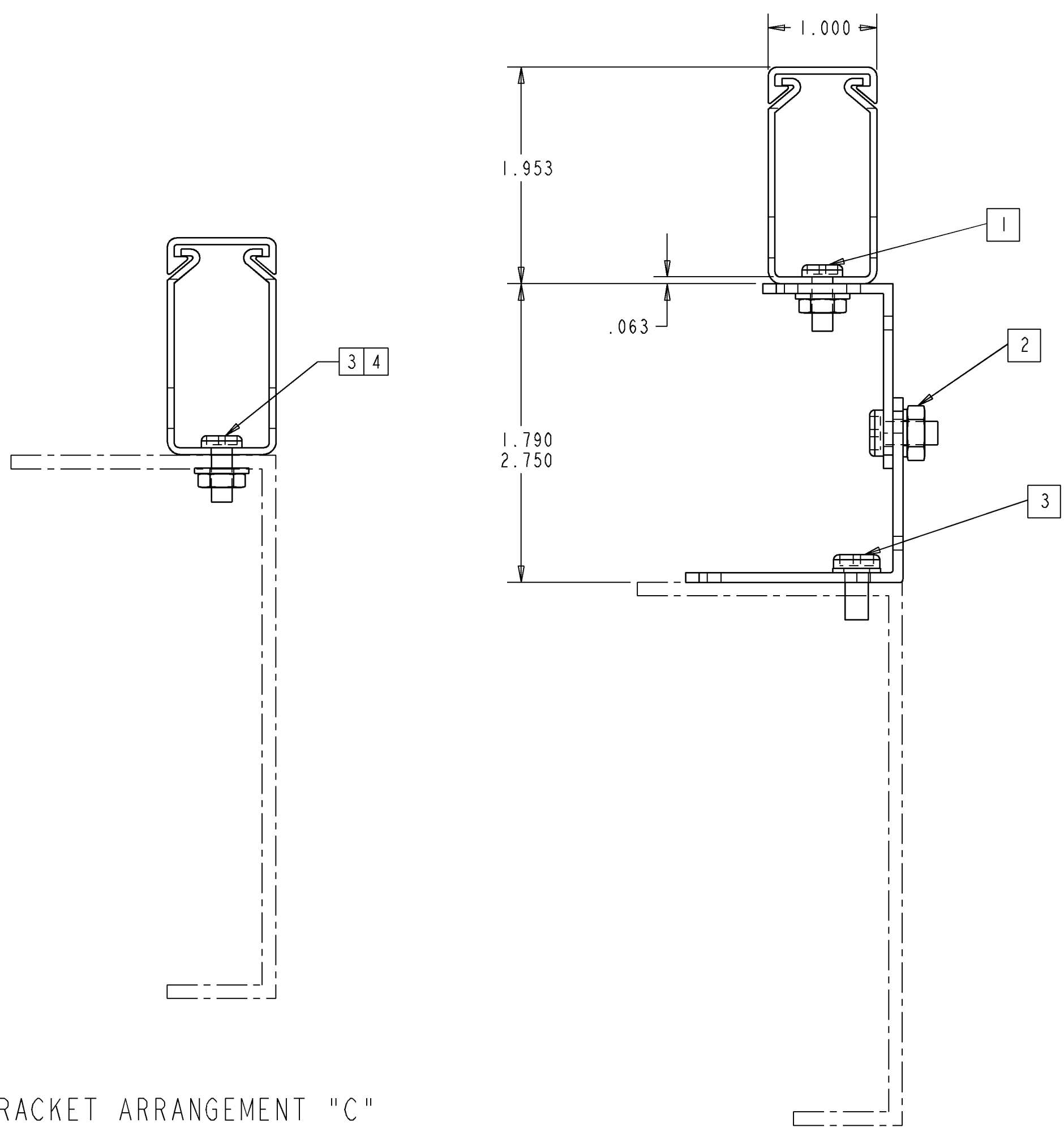
B

C

D

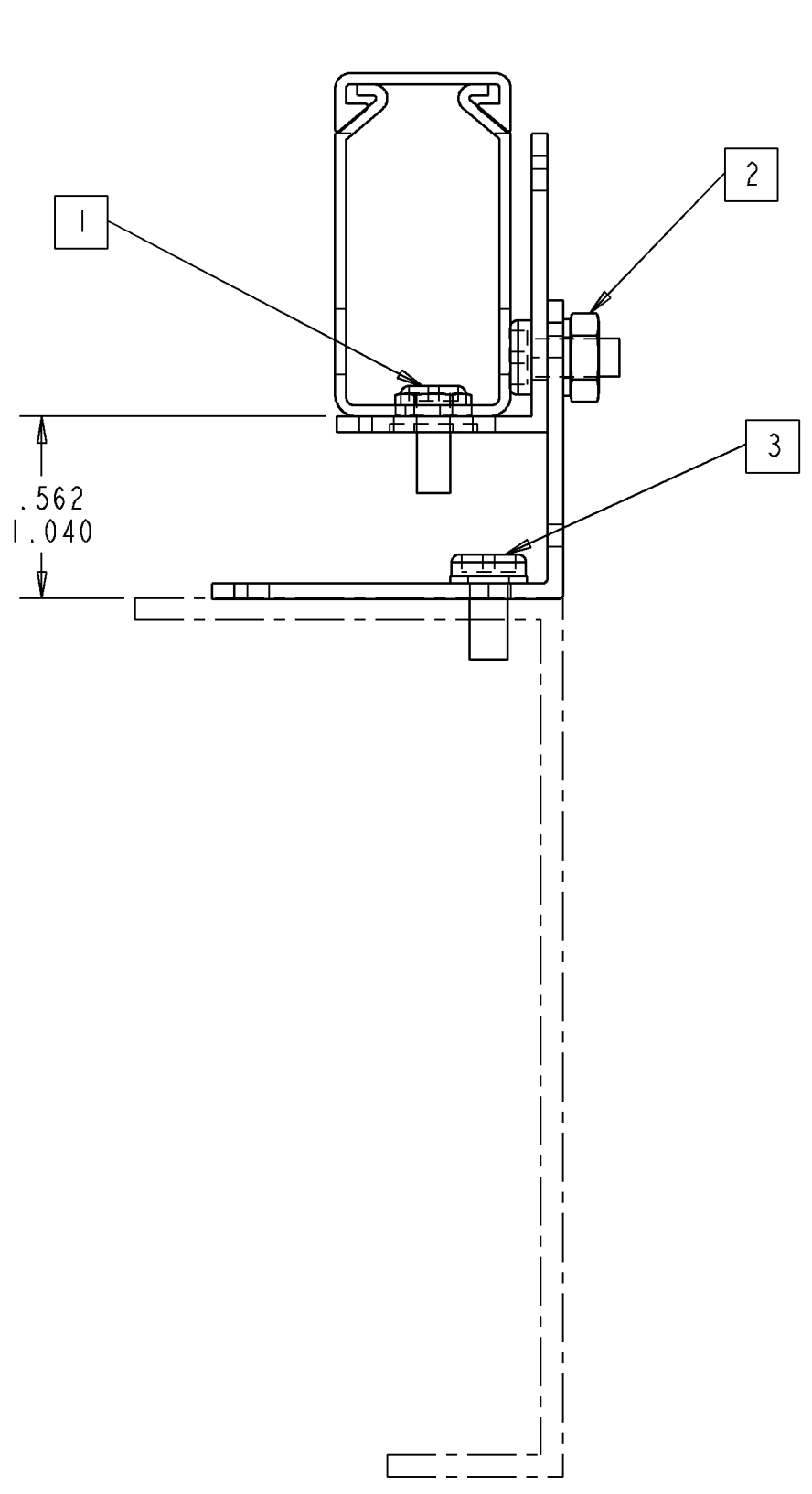
REV	MCO	DWN	DATE
B	99342	MV	1/15/93
C	20240363	AED	20-MAY-08

KEY
 ——— COMPONENTS INCLUDED IN KIT
 - - - - - COMPONENTS NOT INCLUDED IN KIT



BRACKET ARRANGEMENT "C"

BRACKET ARRANGEMENT "A"



BRACKET ARRANGEMENT "B"

QTY	PART DESCRIPTION
1	1" X 2" VERTICAL DUCT
1	DUCT COVER
6	GROMMET STRIPS
5	LARGE DUCT MOUNTING BRACKETS
5	#12 X 1/2 THREAD CUTTING SCREWS
5	#12 X 1/2 SCREWS
10	#12 FLATWASHERS
5	#12 HEX NUTS
5	#10 X 3/8 SCREWS
5	#10 FLATWASHERS
5	#10 HEX NUTS
1	HOSE END CLAMP
2	#6 X 3/8 PAN HEAD SCREWS
2	#6 STAR-LOCK-WASHERS
2	#6 HEX NUTS
5	SMALL DUCT MOUNTING BRACKETS

NOTES:

- 1. #10 SCREW, NUT, AND WASHER.
- 2. #12 SCREW, NUT, AND WASHER.
- 3. #12 THREAD CUTTING SCREW AND WASHER.
- 4. DRILL MOUNTING SLOTS ON 1X2 VERTICAL DUCT TO .25 DIA.

FGSB-KTWI-E	BLACK	A
FGSP-KTWI-E	PUTTY	A
FGSO-KTWI-E	ORANGE	A
FGS-KTWI-E	YELLOW	A
CATALOG NO.	COLOR	REV



INFORMATION ON THIS DOCUMENT IS PROPRIETARY TO ADC AND SHALL NOT BE USED, COPIED, REPRODUCED, OR DISCLOSED IN WHOLE OR IN PART WITHOUT WRITTEN CONSENT OF ADC.
 ALL DIMS AND TOLERANCES ARE INCHES UNLESS OTHERWISE SPECIFIED
 .XX:±N/A
 .XXX:±N/A
 ANGULAR:±N/A

TITLE	FIBERGUIDES VERT. DUCT, COVER & BRKT KIT 1" X 2" (INST DWG)		
DRAWING NUMBER	C	C	C
4-29000-2631	SIZE	REV	REV
DO NOT SCALE DRAWING	ENGR: P. NAULT	SHT. 1 OF 1	
	DWN: D. LOCH		

DIMENSIONS IN INCHES
THIRD ANGLE PROJECTION