

REV	MCO	DWN	DATE
D	20240815	AED	26-MAY-08
E	20241153	AED	02-JUN-08

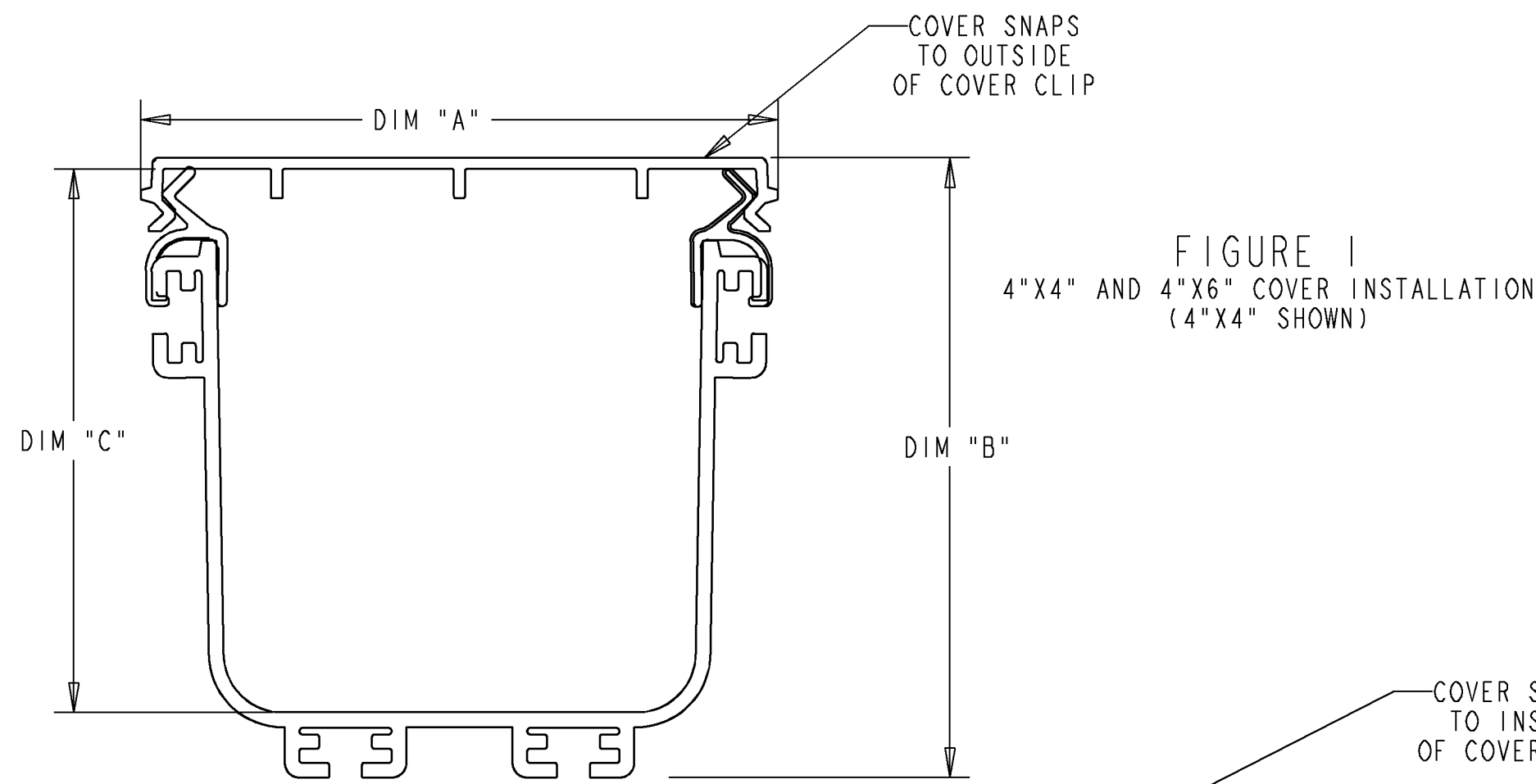


FIGURE 1
4"X4" AND 4"X6" COVER INSTALLATION
(4"X4" SHOWN)

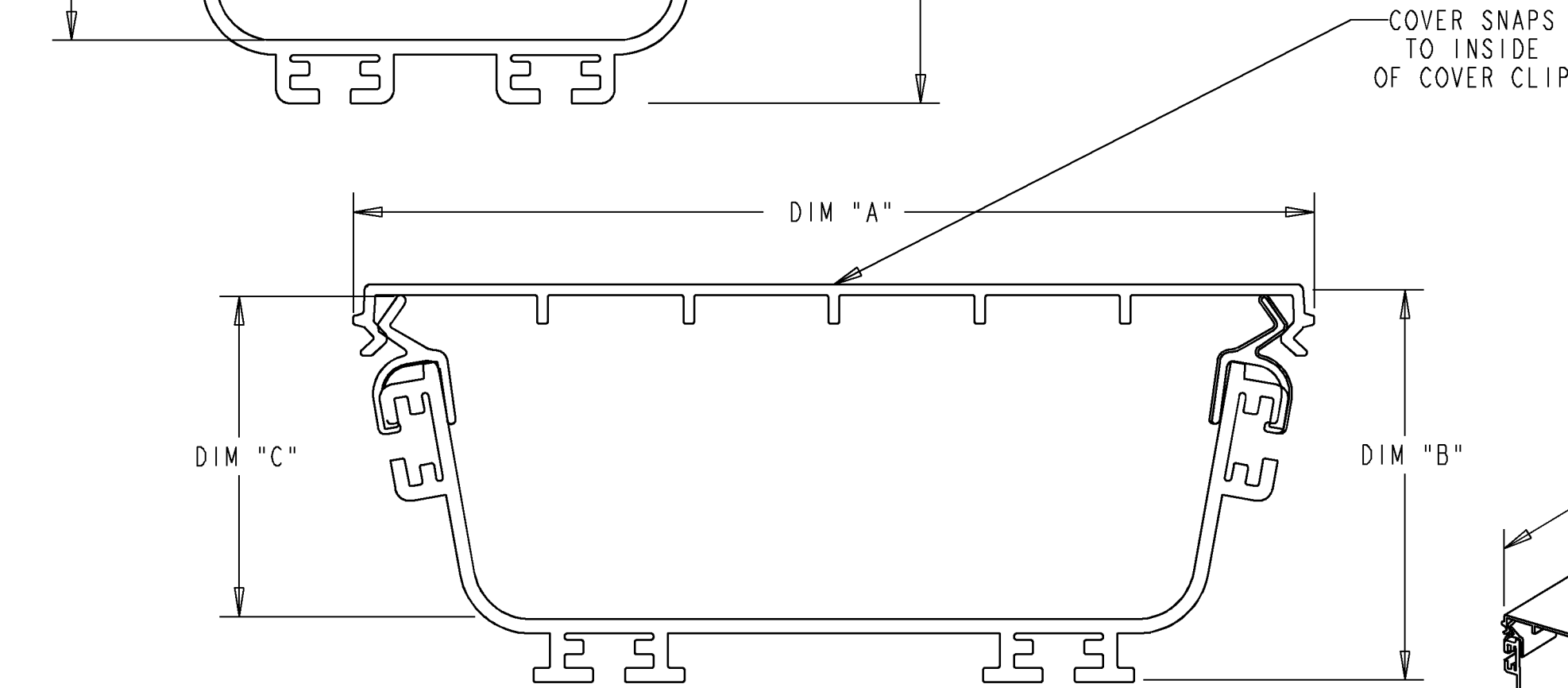
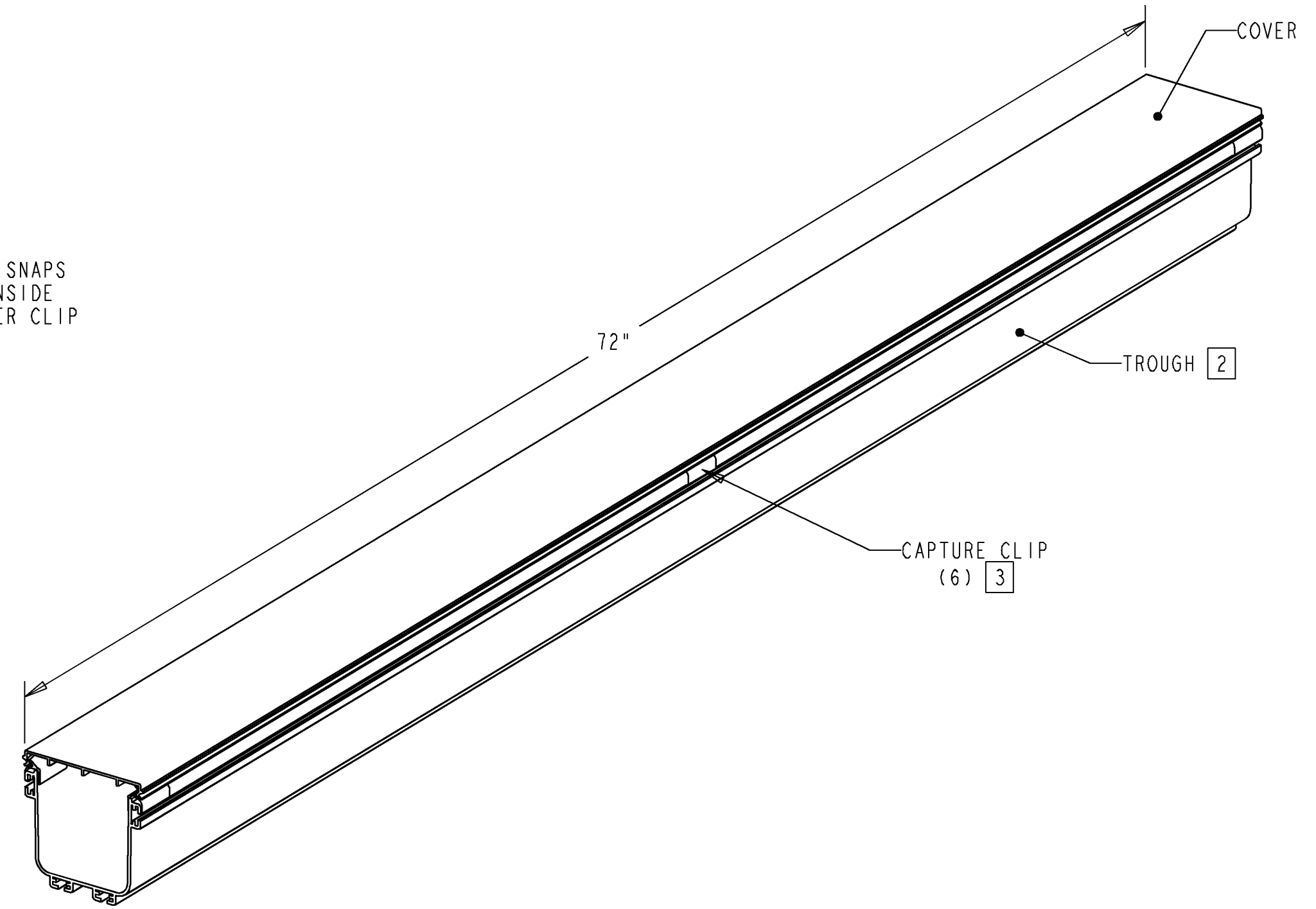


FIGURE 2
2"X6" COVER INSTALLATION



SCALE 0.220

CATALOG #	COLOR	TROUGH SIZE	SEE FIGURE	DIM "A"	DIM "B"	DIM "C"
FGSO-MSSC-B/G	ORANGE	2" X 6"	2	7.4"	3.4"	2.8"
		4" X 6"	1	7.4"	5.2"	4.6"
FGS-MSSC-B/G	YELLOW	2" X 6"	2	7.4"	3.4"	2.8"
		4" X 6"	1	7.4"	5.2"	4.6"
FGSB-MSSC-B/G	BLACK	2" X 6"	2	7.4"	3.4"	2.8"
		4" X 6"	1	7.4"	5.2"	4.6"
FGSB-MSSC-A	BLACK	4" X 4"	1	5.4"	5.2"	4.6"
FGSO-MSSC-A	ORANGE	4" X 4"	1	5.4"	5.2"	4.6"
FGS-MSSC-A	YELLOW	4" X 4"	1	5.4"	5.2"	4.6"

NOTES:

1. KIT CONTAINS: (1) 72" SNAP-FIT COVER
(6) CAPTURE CLIPS.

2 TROUGH NOT CONTAINED IN KIT

3 PLACE CLIP APPROXIMATELY AS SHOWN.



INFORMATION ON THIS DOCUMENT IS PROPRIETARY TO ADC AND SHALL NOT BE USED, COPIED, REPRODUCED OR DISCLOSED IN WHOLE OR IN PART WITHOUT WRITTEN CONSENT OF ADC.

ALL DIMS AND TOLERANCES .XX:±N/A ARE INCHES UNLESS .XXX:±N/A OTHERWISE SPECIFIED ANGULAR:±N/A

DO NOT SCALE DRAWING

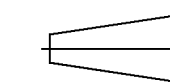
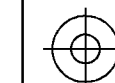
TITLE
INSTALLATION DRAWING
COVER, TROUGH, SNAP-FIT

DRAWING NUMBER
1331485

ENGR: C. ARROYO

DWN: J. GABRIEL NERI

SHT. 1 OF 1



**DIMENSIONS IN INCHES
THIRD ANGLE PROJECTION**