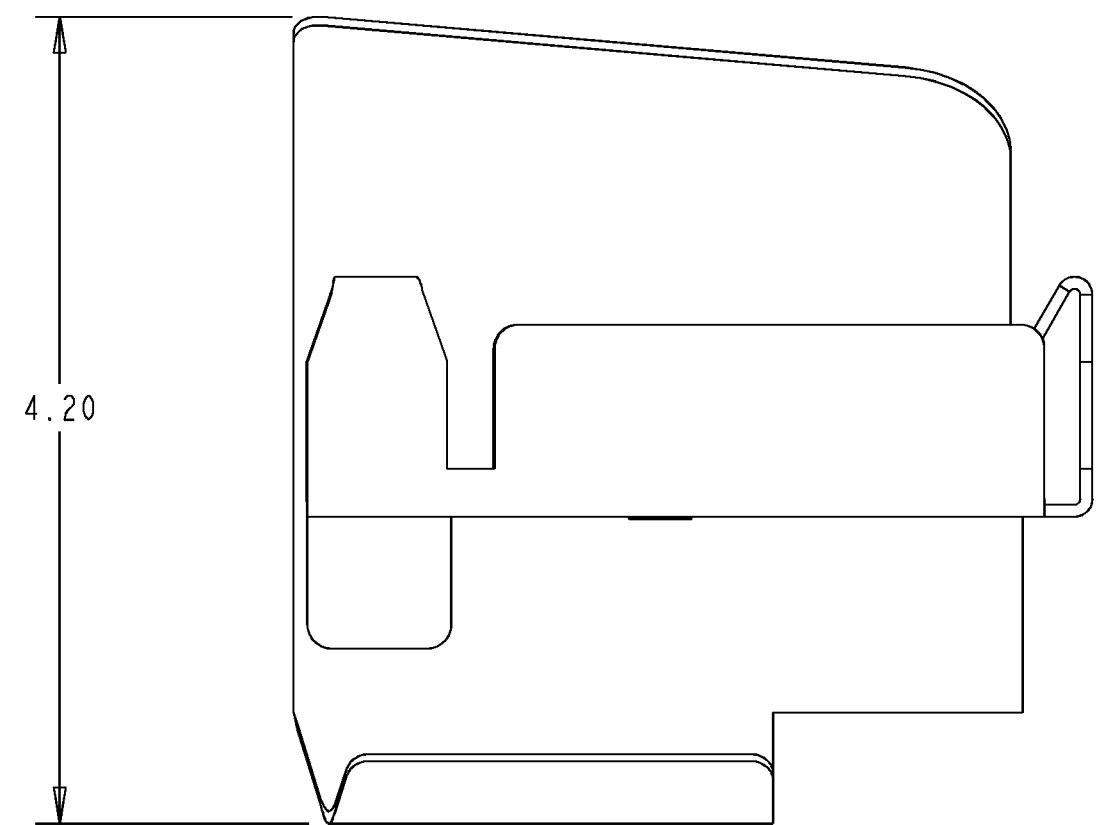
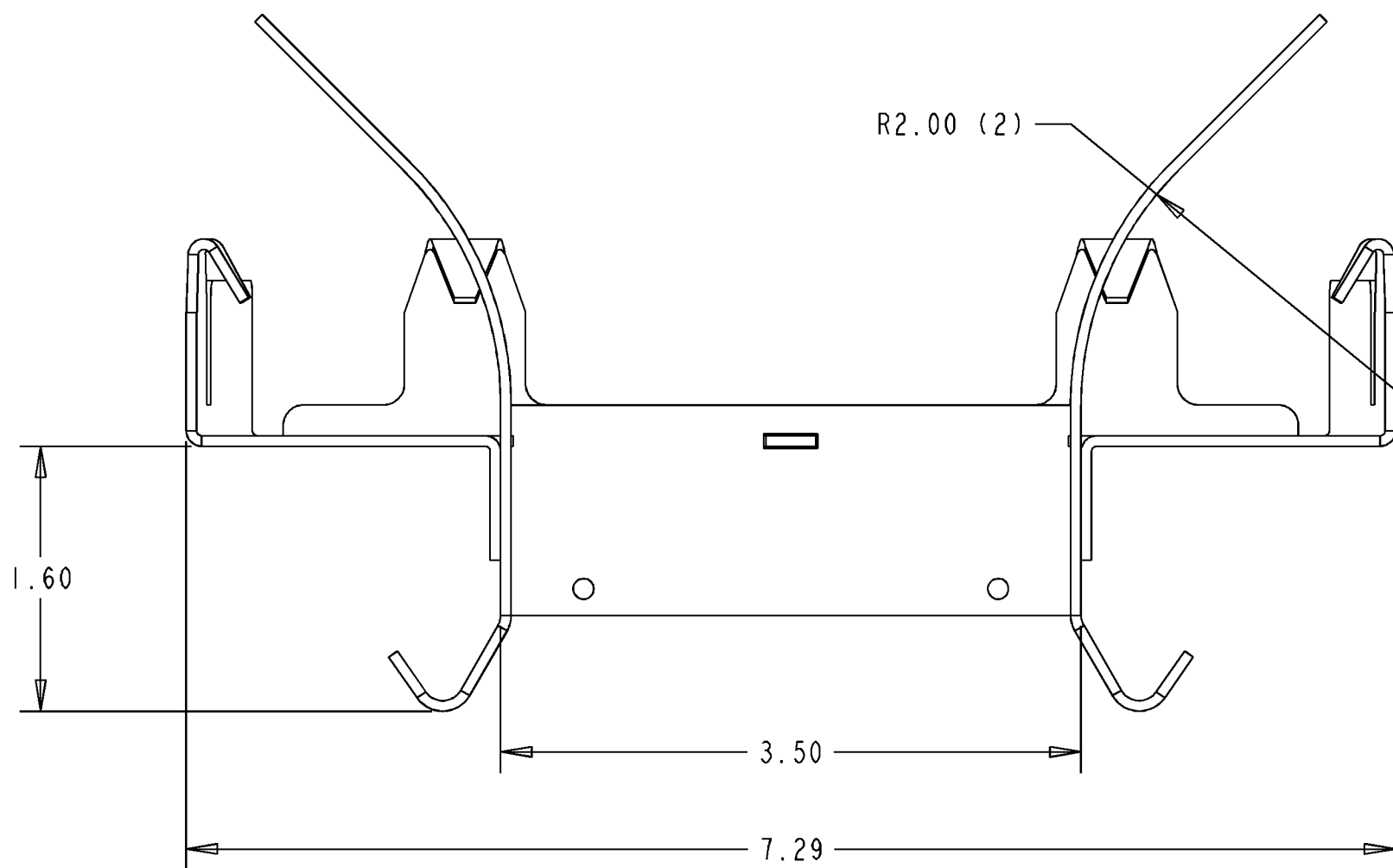
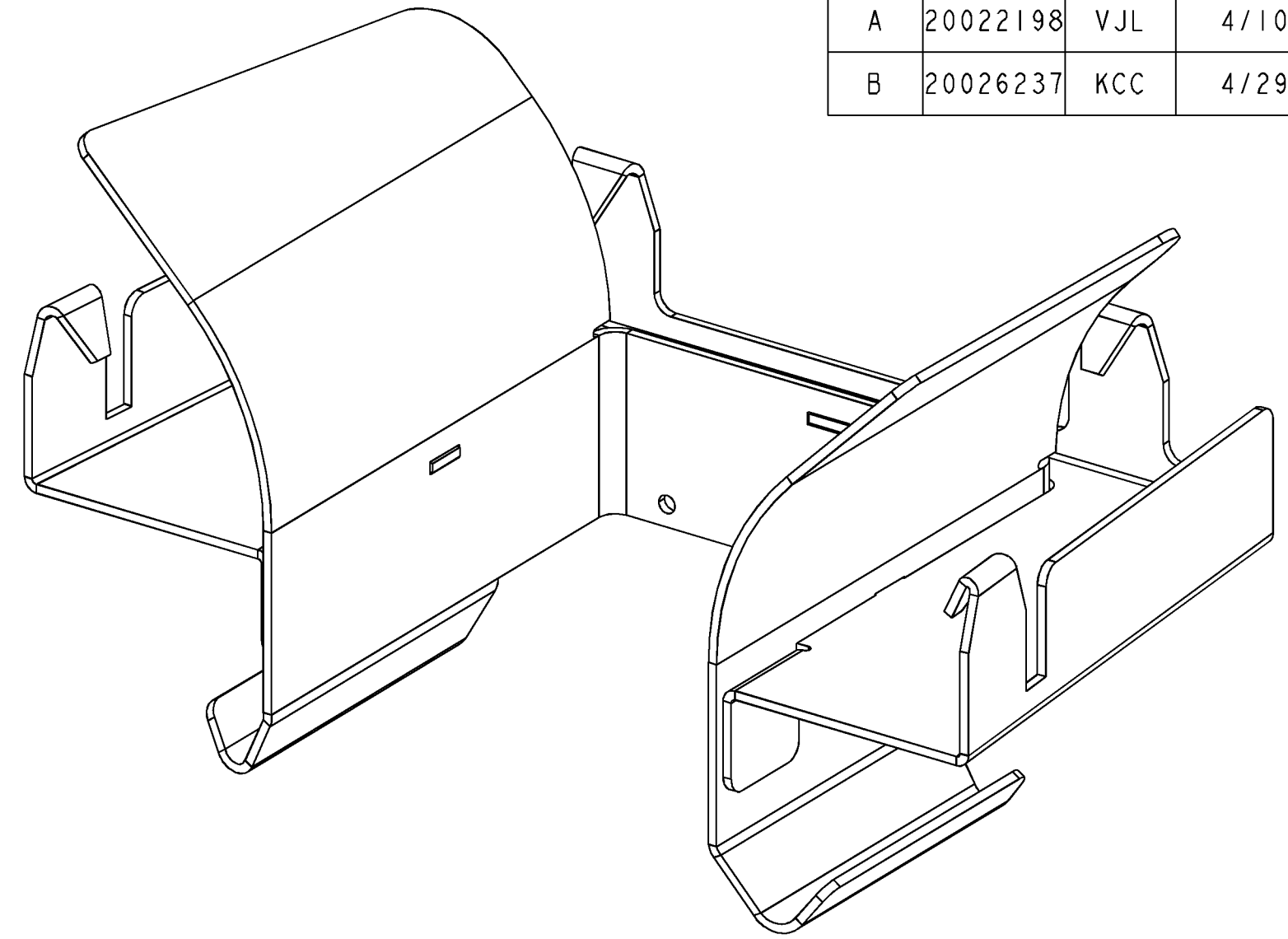
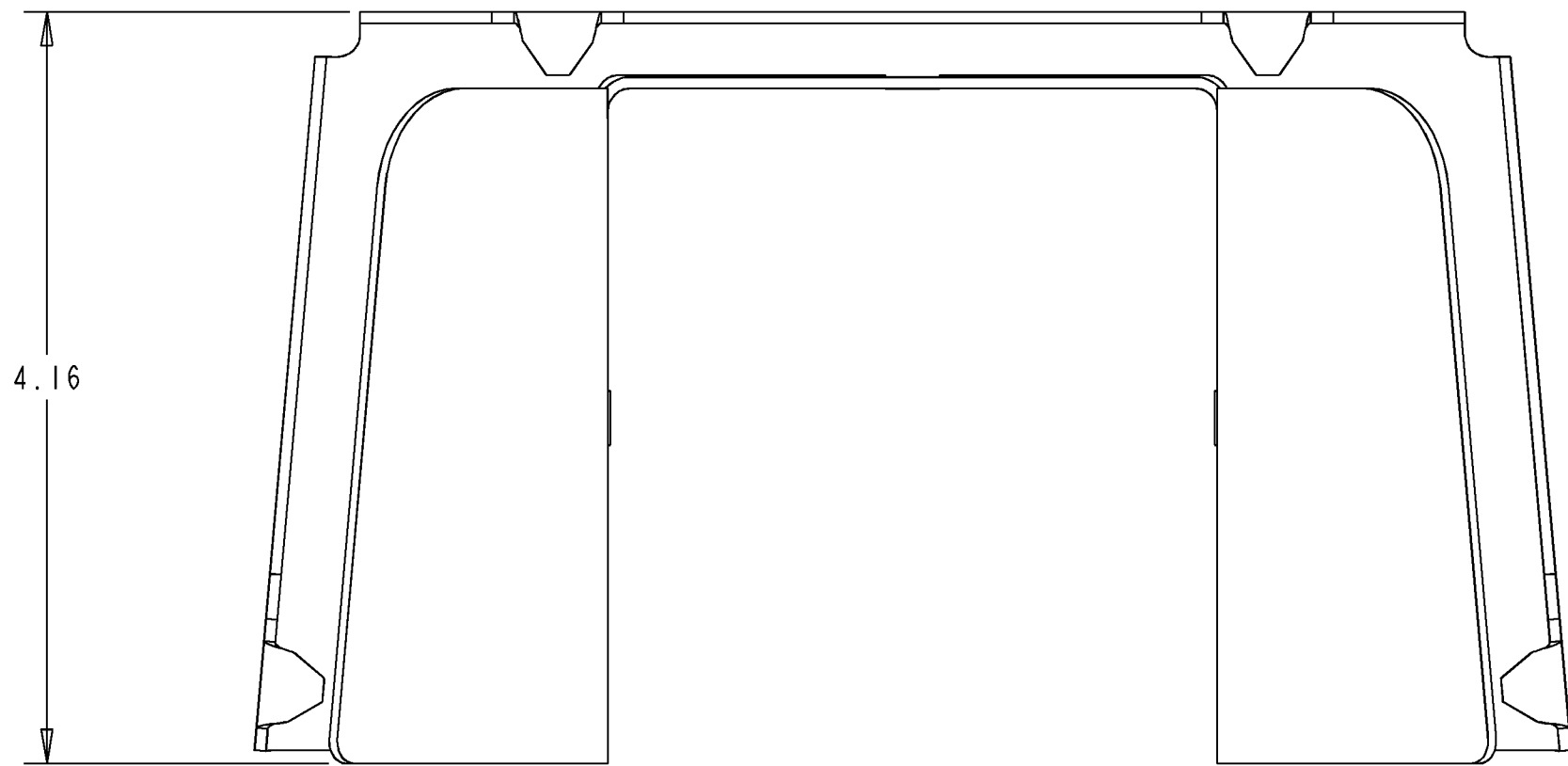


REV	ECO	DWN	DATE
A	20022198	VJL	4/10/99
B	20026237	KCC	4/29/99



NOTES:

1. KIT INCLUDES A 6" TO 4" FIBERGUIDE DOWNSPOUT ADAPTER.



TELECOMMUNICATIONS

INFORMATION ON THIS DOCUMENT IS PROPRIETARY TO ADC AND SHALL NOT BE USED, COPIED, REPRODUCED OR DISCLOSED IN WHOLE OR IN PART WITHOUT WRITTEN CONSENT OF ADC.

TOLERANCE UNLESS OTHERWISE SPECIFIED: .XX: ±.02  
 .XXX: ±.010  
 ANGULAR: ±2°

TITLE  
 FGS 6" TO SLOTTED VERT 4" ADAPTER KIT INSTL DWG

SIZE: C DRAWING NUMBER: 1050861

DO NOT SCALE DRAWING

ENGR: JUSTIN HORTON  
 DWN: VERN LOCH

SHT. 1 OF 1