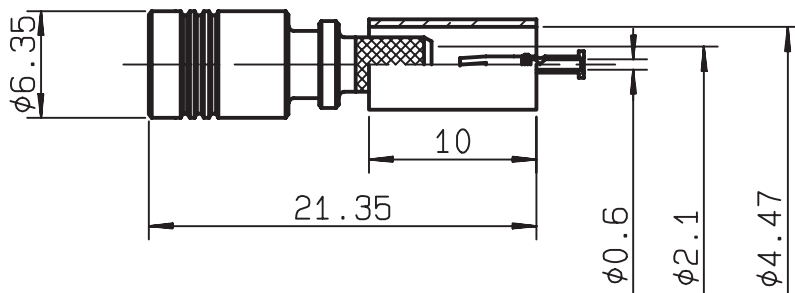



TECHNICAL DATA

<b>STRAIGHT PLUG CRIMP TYPE CABLE 3.6/75 D</b>		<b>R114.086.200</b> <b>SERIES SMB</b>	
			
NOMINAL IMPEDANCE	<b>50</b> Ω	CABLES :	<b>BT3002</b>
FREQUENCY RANGE	<b>0-4</b> GHz		<b>POPE 46431</b>
TEMPERATURE RATING	<b>-65/+165</b> °C		<b>TZC 750 24</b>
V.S.W.R	<b>NA</b> + x F(GHz)Maxi		
RF INSERTION LOSS	<b>NA</b> √F(GHz) dB Maxi		
VOLTAGE RATING	<b>335</b> Veff Maxi		
DIELECTRIC WITHSTANDING VOLTAGE	<b>1000</b> Veff Mini		
INSULATION RESISTANCE	<b>1000</b> MΩMini	OTHERS CHARACTERISTICS	
HERMETIC SEAL	<b>NA</b> Atm.cm <sup>3</sup> /s	CABLE RETENTION	<b>150</b> N Mini
LEAKAGE (pressurized only)	<b>NA</b>	CENTER CONTACT RETENTION	
MECHANICAL DURABILITY	<b>500</b> Cycles	Axial force - mating end	<b>10</b> N Mini
WEIGHT	gr	Axial force - opposite end	<b>10</b> N Mini
SPECIFICATION		Torque	<b>NA</b> cm.N Mini
		RECOMMENDED TORQUES	
		Mating	<b>NA</b> cm.N
		Panel nut	<b>NA</b> cm.N
		Clamp nut	<b>NA</b> cm.N
CONNECTOR PARTS:	MATERIALS	FINISH	(all values are given in micrometers)
BODY	BRASS	GOLD 0.2 OVER NICKEL 2	
OUTER CONTACT	BERYLLIUM COPPER	GOLD 0.5 OVER NICKEL 2	
CENTER CONTACT	BERYLLIUM COPPER	GOLD 1.3 OVER NICKEL 2	
INSULATOR	PTFE	-	
GASKET	-	-	
OTHERS PIECES	BRASS	GOLD 0.2 OVER NICKEL 2	
ISSUE	CREATION DATE	FILE PART-NUMBER	
<b>9943A01</b>	<b>07/12/1995</b>	<b>95-0106-981</b>	

MARTIN

The information given here is subject to change without notice.  
Design changes may be in order to improve the product.

*Connect to the future*