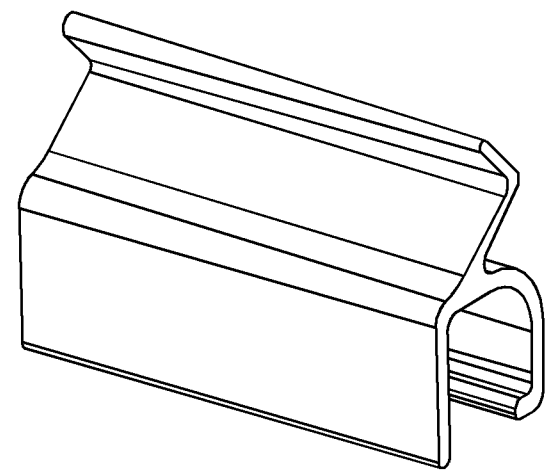
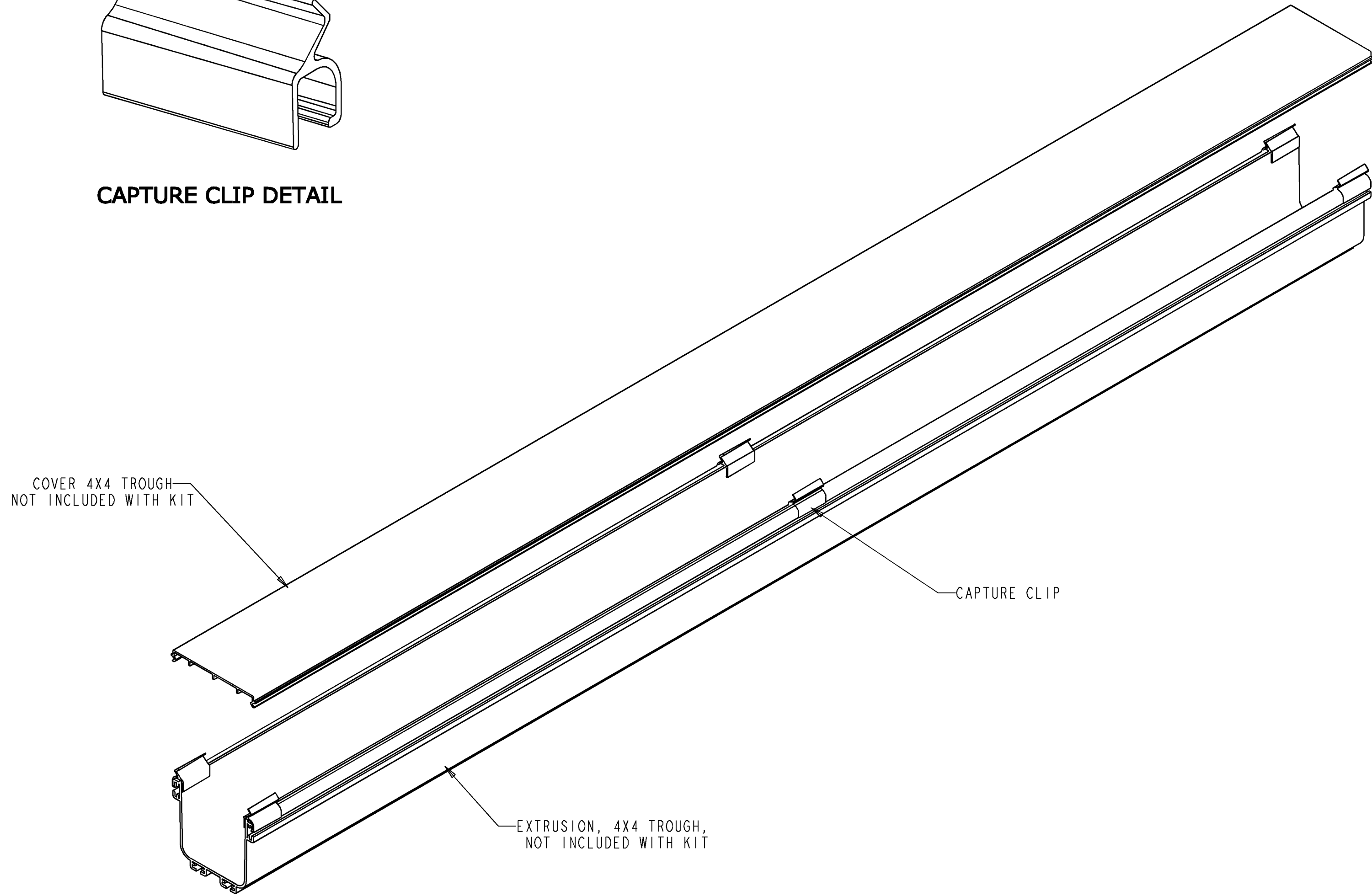


REV	MCO	DWN	DATE
A	20174579	GNM	09-AUG-05



CAPTURE CLIP DETAIL



COVER 4X4 TROUGH
NOT INCLUDED WITH KIT

CAPTURE CLIP

EXTRUSION, 4X4 TROUGH,
NOT INCLUDED WITH KIT

NOTES:

1. PLACE CAPTURE CLIPS APPROXIMATELY AS SHOWN.
2. CAPTURE CLIP WILL NEED TO BE SQUEEZED INWARD SLIGHTLY.

FGS-DHCP	BLACK	10	A
CATALOG #	COLOR	QTY	REV



<small>INFORMATION ON THIS DOCUMENT IS PROPRIETARY TO ADC AND SHALL NOT BE USED, COPIED, REPRODUCED, OR DISCLOSED IN WHOLE OR IN PART WITHOUT WRITTEN CONSENT OF ADC.</small> <small>ALL DIMS AND TOLERANCES .XX:±N/A ARE INCHES UNLESS .XXX:±N/A OTHERWISE SPECIFIED ANGULAR:±N/A</small>	<small>TITLE</small> CAPTURE CLIP FGS COVER INSTALLATION DWG	
	<small>DRAWING NUMBER</small> 1335286	<small>A REV</small>
<small>DO NOT SCALE DRAWING</small>	<small>ENGR: J. GABRIEL NERI</small> <small>DWN: J. GABRIEL NERI</small>	<small>SHT. 1 OF 1</small>

 **DIMENSIONS IN INCHES
THIRD ANGLE PROJECTION**