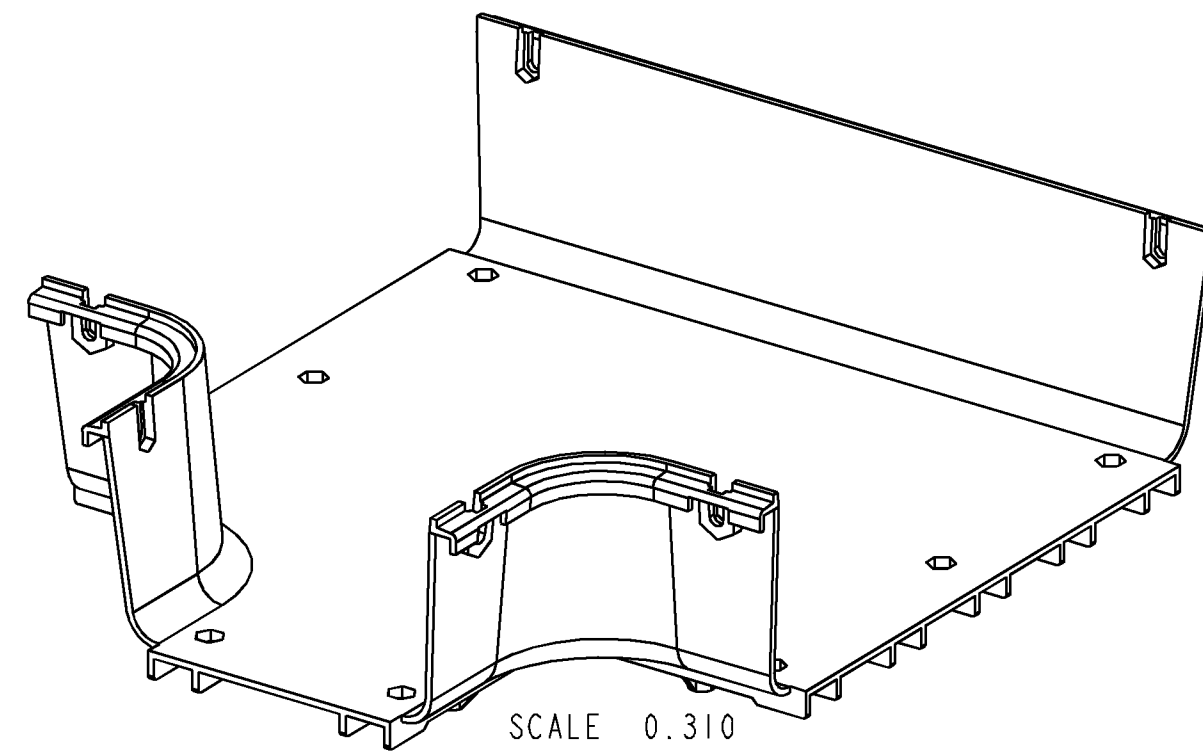
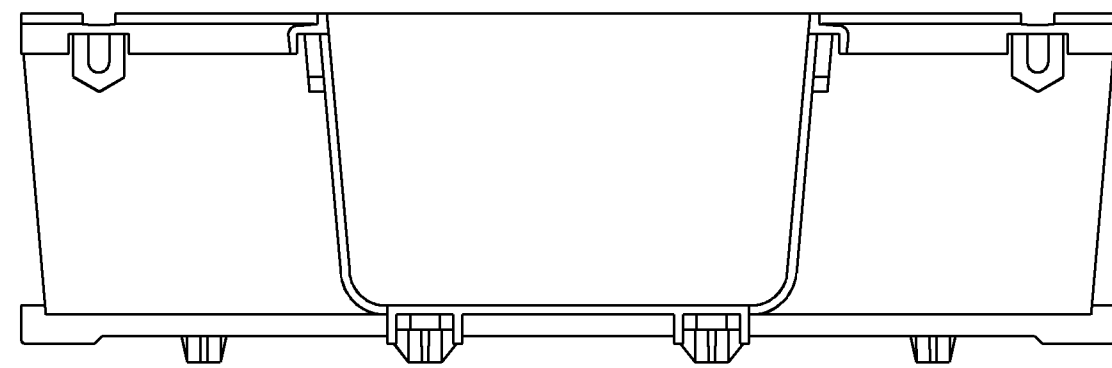
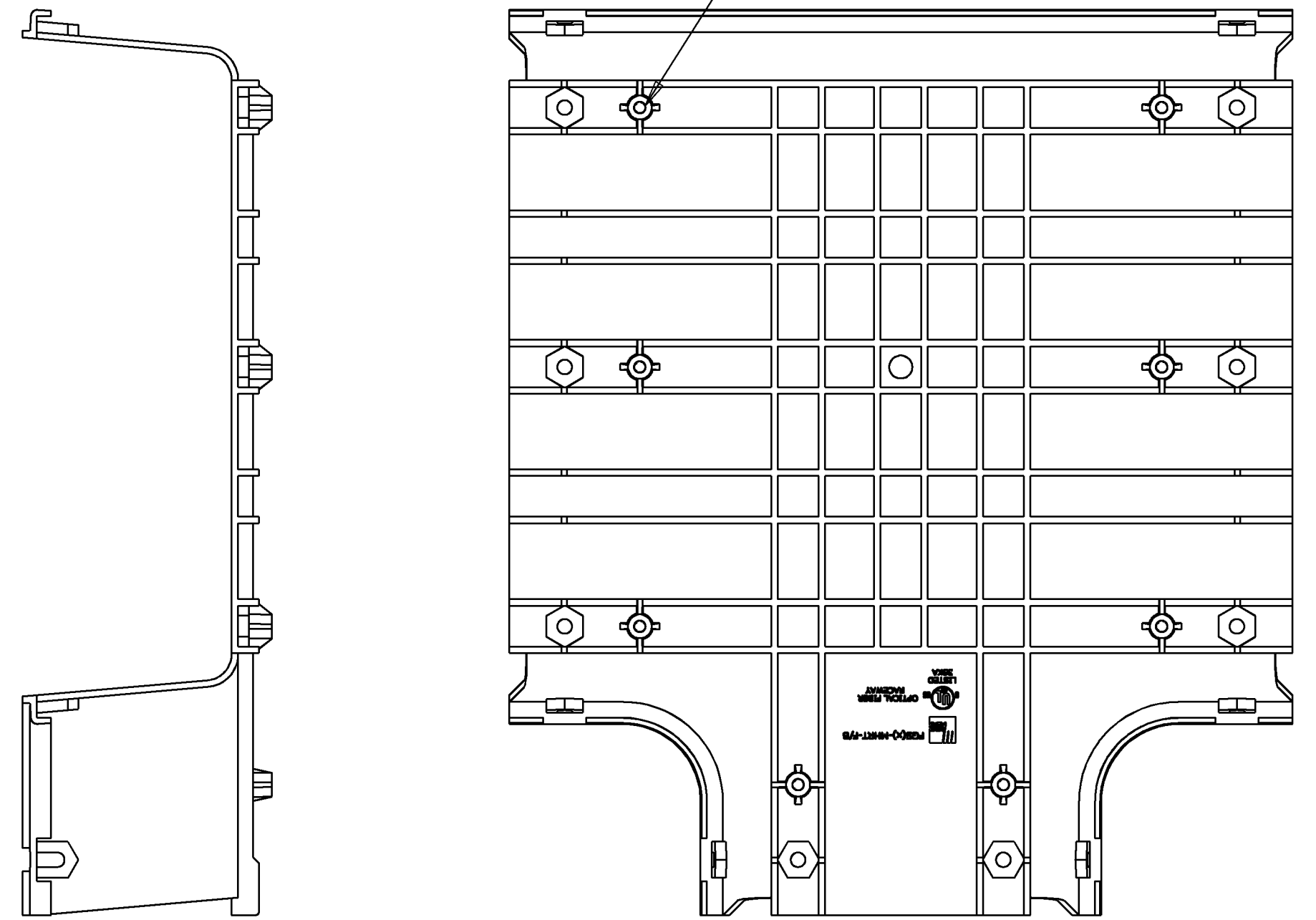
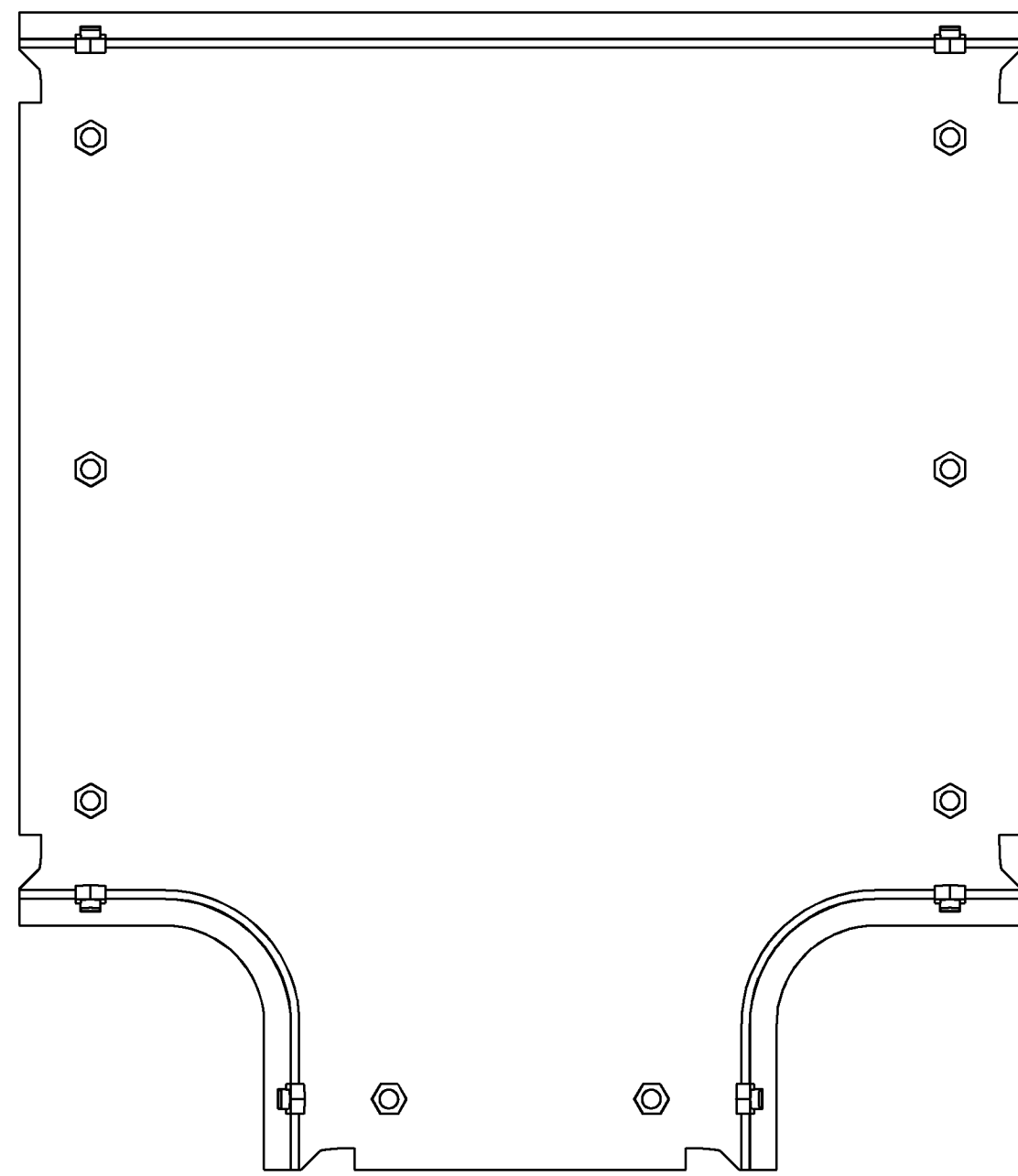


REV	MCO	DWN	DATE
A	20019792	TH	12/28/98
B	20236325	RCR	28-MAR-08



SCALE 0.310

NOTES:

1. MATERIAL IS SELF EXTINGUISHING WITH A UL 94 RATING OF V-0.

CATALOG NO.	COLOR
FGS-MHRT-F/B	YELLOW
FGSO-MHRT-F/B	ORANGE
FGSB-MHRT-F/B	BLACK



INFORMATION ON THIS DOCUMENT IS PROPRIETARY TO ADC AND SHALL NOT BE USED, COPIED, REPRODUCED OR DISCLOSED IN WHOLE OR IN PART WITHOUT WRITTEN CONSENT OF ADC.

ALL DIMS AND TOLERANCES ARE INCHES UNLESS OTHERWISE SPECIFIED

DO NOT SCALE DRAWING

TITLE TEE, HORIZ 4X12 4X6 EXIT, INSTL DWG

DRAWING NUMBER 1044496

ENGR: T. HAATAJA
DWN: T. HAATAJA

SHT. 1 OF 1

DIMENSIONS IN INCHES
THIRD ANGLE PROJECTION