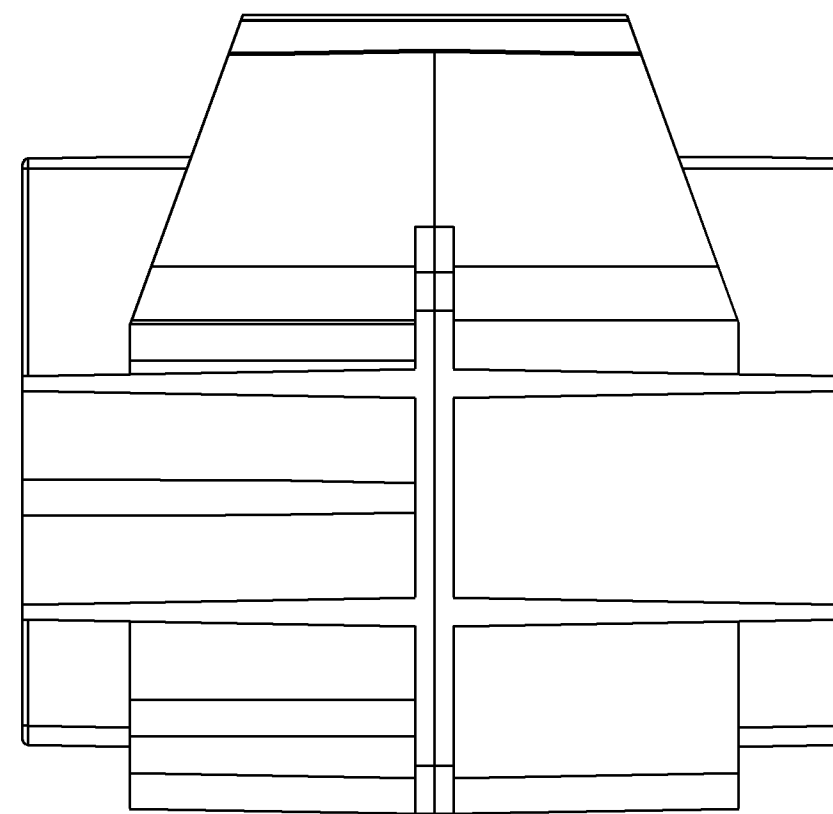
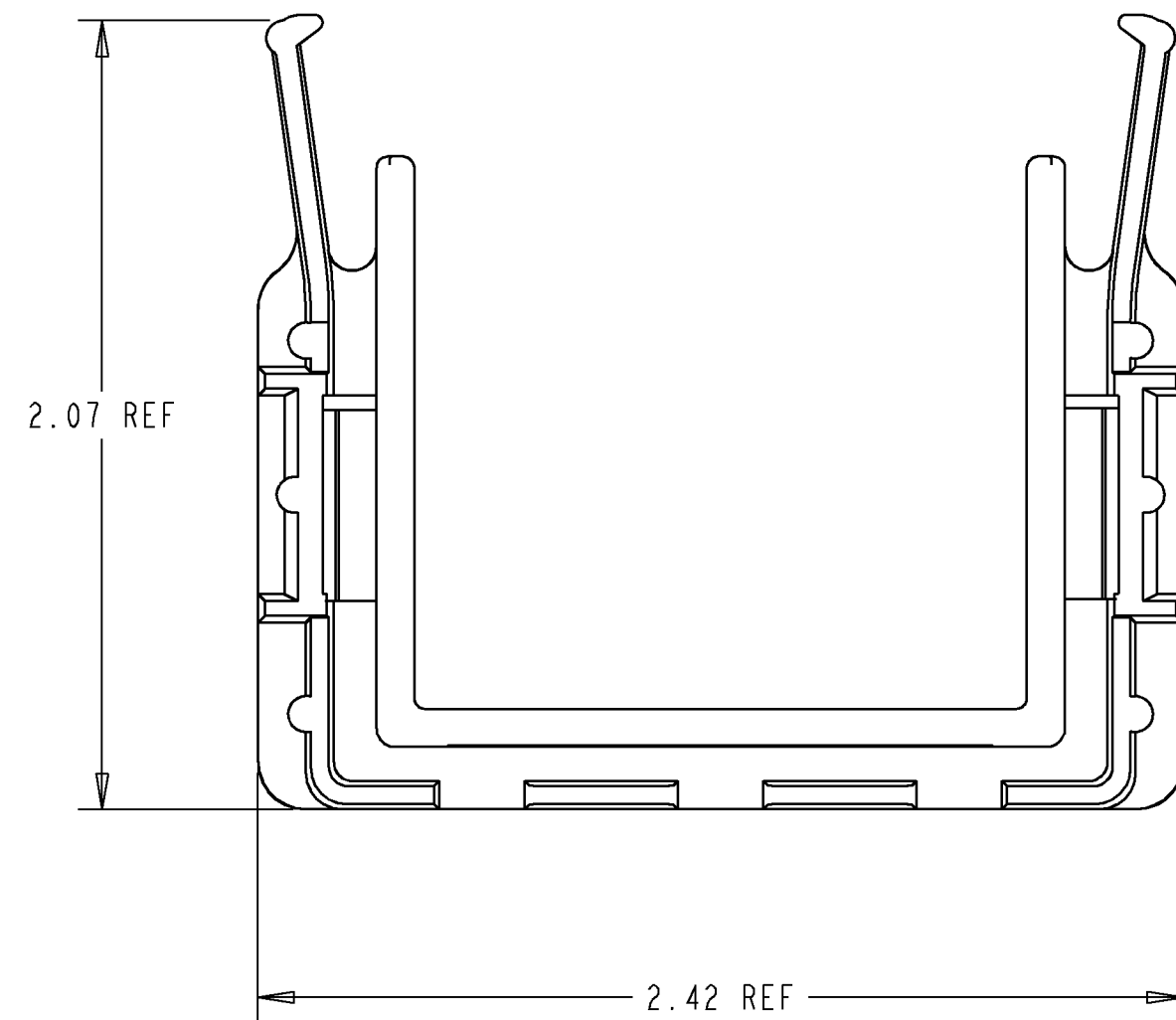
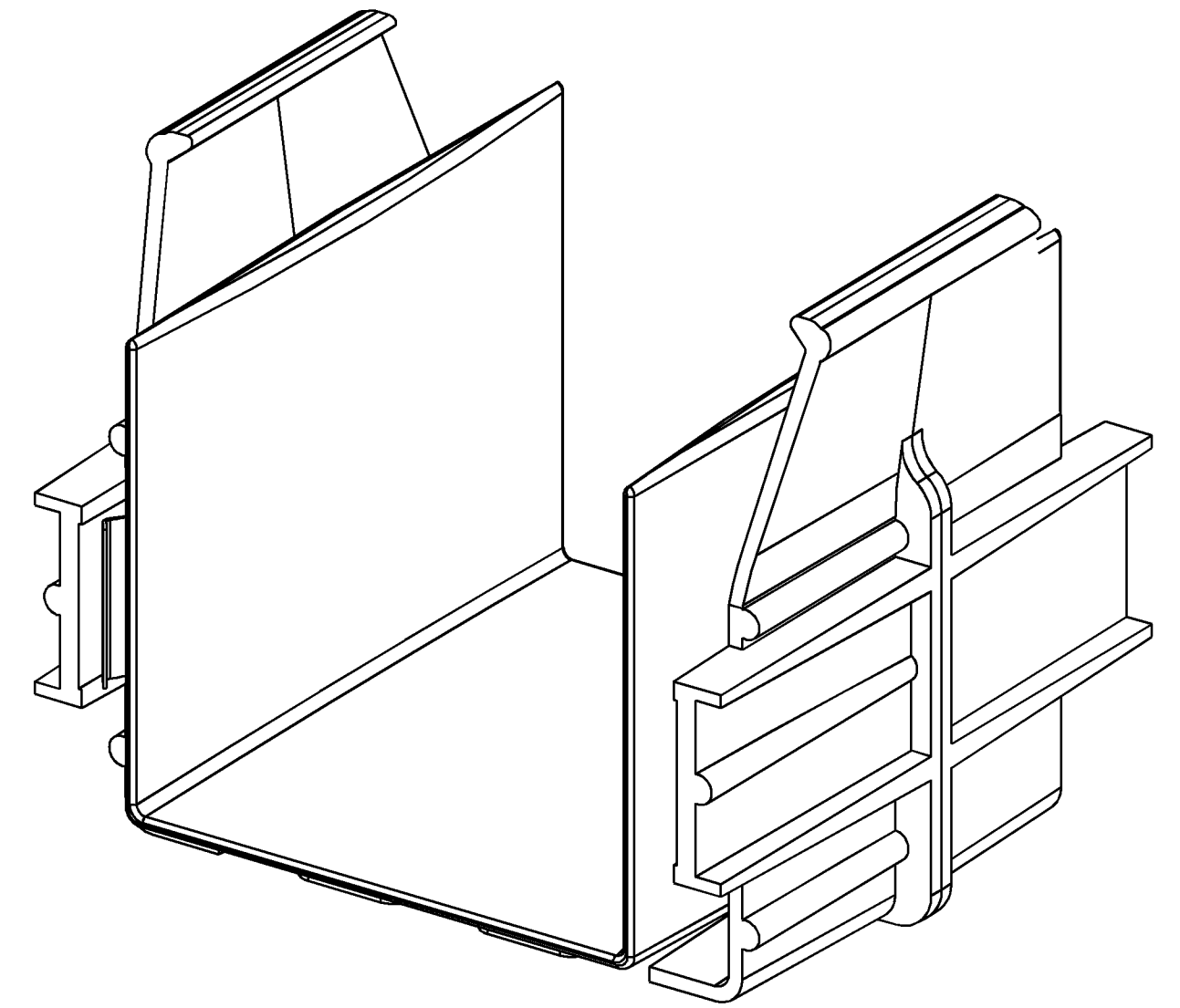
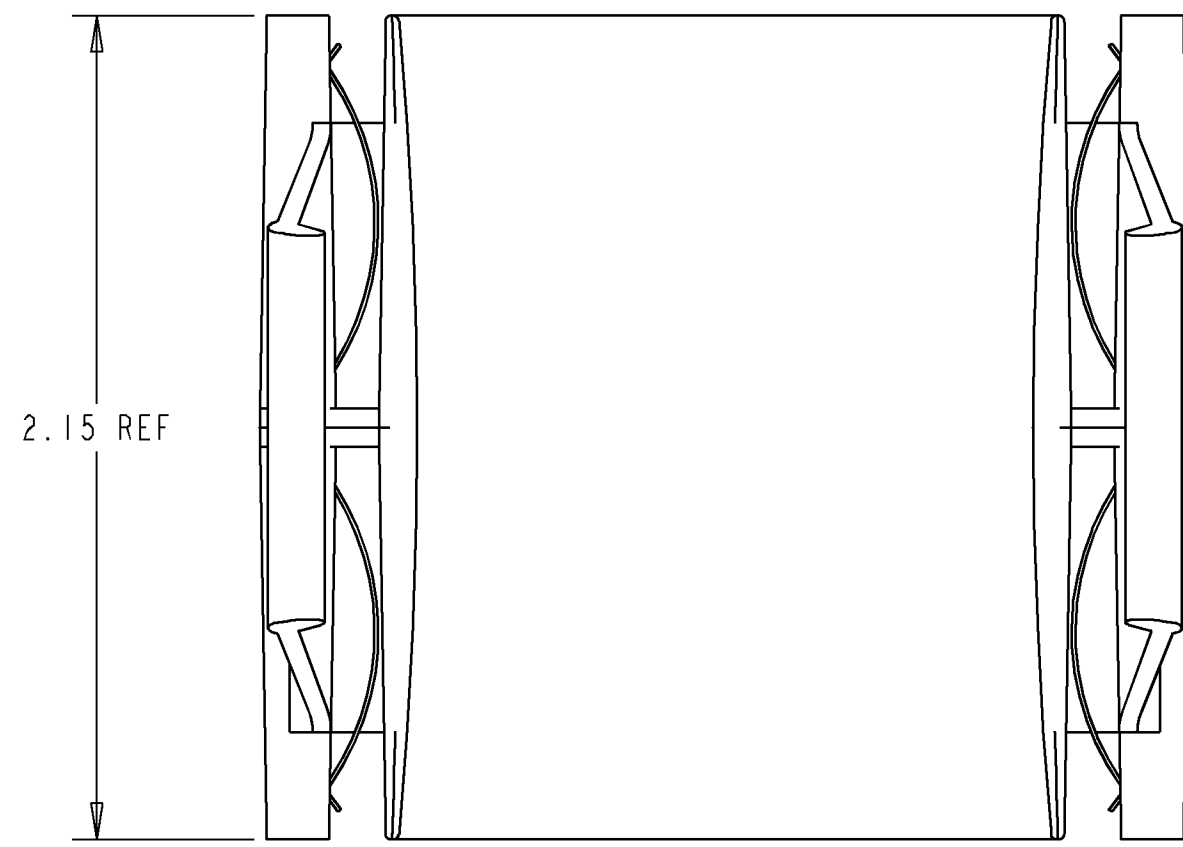


REV	MCO	DWN	DATE
B	20150996	RJO	27-MAY-04
C	20240874	AED	27-MAY-08



NOTES:

- MATERIAL IS SELF EXTINGUISHING WITH A UL 94 RATING OF V-0.



INFORMATION ON THIS DOCUMENT IS PROPRIETARY TO ADC AND SHALL NOT BE USED, COPIED, REPRODUCED OR DISCLOSED IN WHOLE OR IN PART WITHOUT WRITTEN CONSENT OF ADC.

ALL DIMS AND TOLERANCES ARE INCHES UNLESS OTHERWISE SPECIFIED

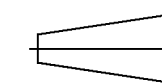
DO NOT SCALE DRAWING

TITLE FGS 2X2 JUNCTION INSTALLATION DRAWING

DRAWING NUMBER 1143339

ENGR: M. FERRIS
DWN: J. ANDERSON

SHT. 1 OF 2



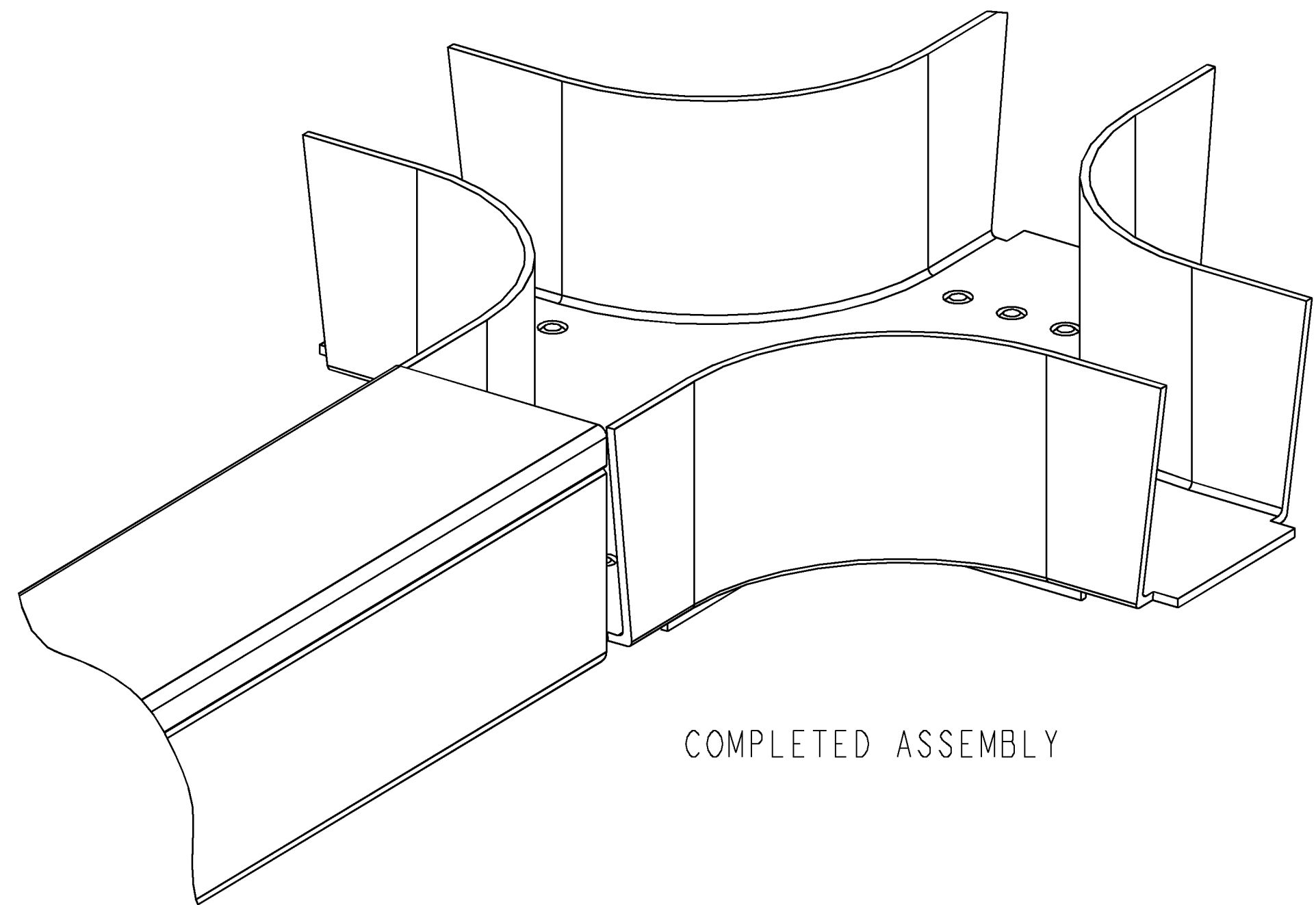
DIMENSIONS IN INCHES
THIRD ANGLE PROJECTION

A

B

C

D



FGS 2X2 JUNCTION

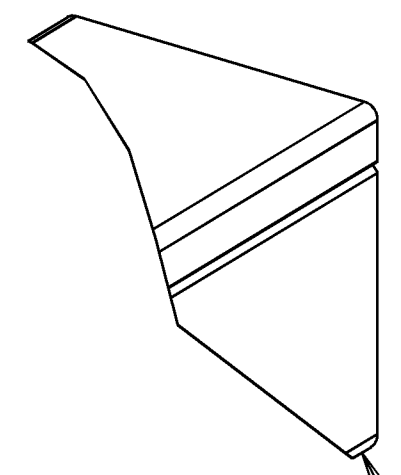
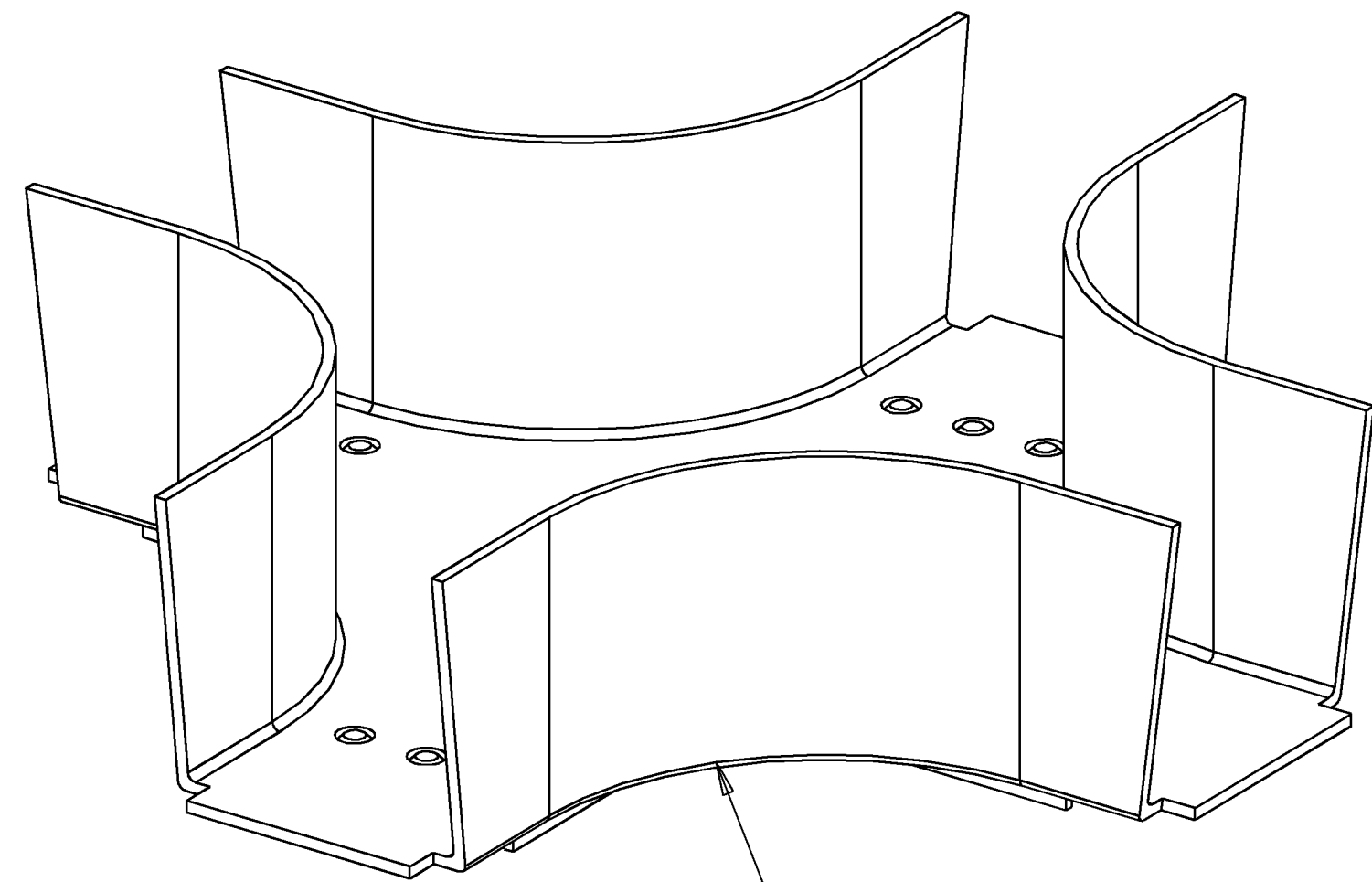


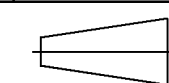
FIGURE 1

INSTALLATION INSTRUCTIONS:

- 1. SLIDE FGS FITTING OR STRAIGHT SECTION UNTIL FIRMLY SEATED AGAINST THE CENTER RIB.



INFORMATION ON THIS DOCUMENT IS PROPRIETARY TO ADC AND SHALL NOT BE USED, COPIED, REPRODUCED OR DISCLOSED IN WHOLE OR IN PART WITHOUT WRITTEN CONSENT OF ADC.		TITLE FGS 2X2 JUNCTION INSTALLATION DRAWING	
ALL DIMS AND TOLERANCES ARE INCHES UNLESS OTHERWISE SPECIFIED	.XX:±N/A .XXX:±N/A ANGULAR:±N/A	C SIZE	DRAWING NUMBER 1143339
DO NOT SCALE DRAWING	ENGR: M. FERRIS DWN: J. ANDERSON	SHT. 2 OF 2	



DIMENSIONS IN INCHES
THIRD ANGLE PROJECTION