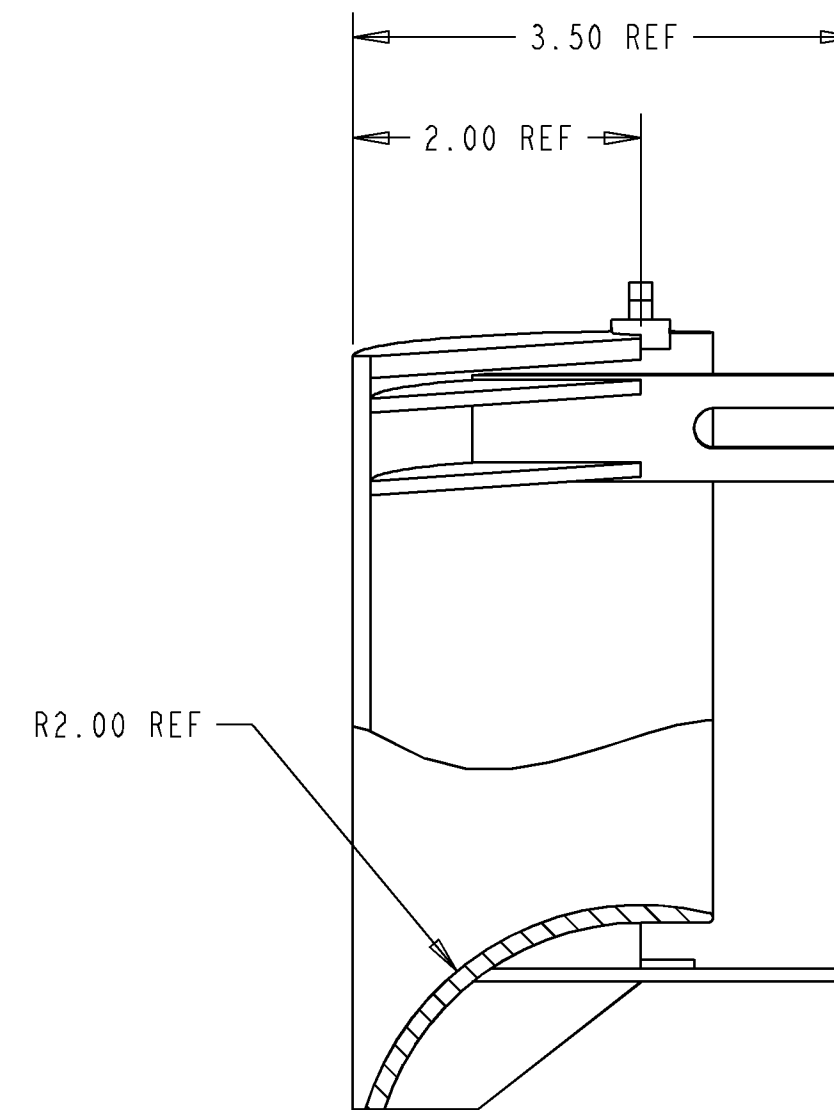
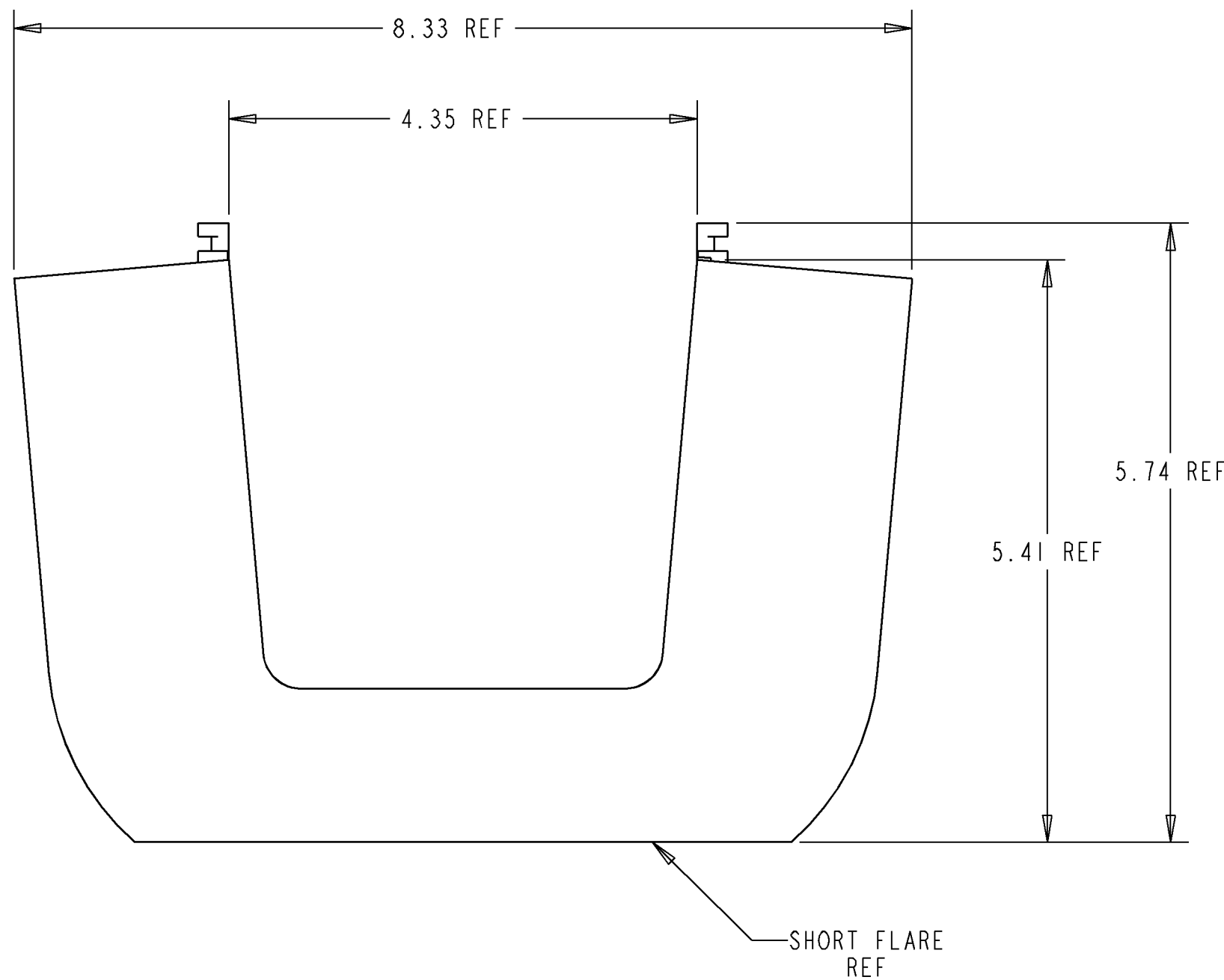
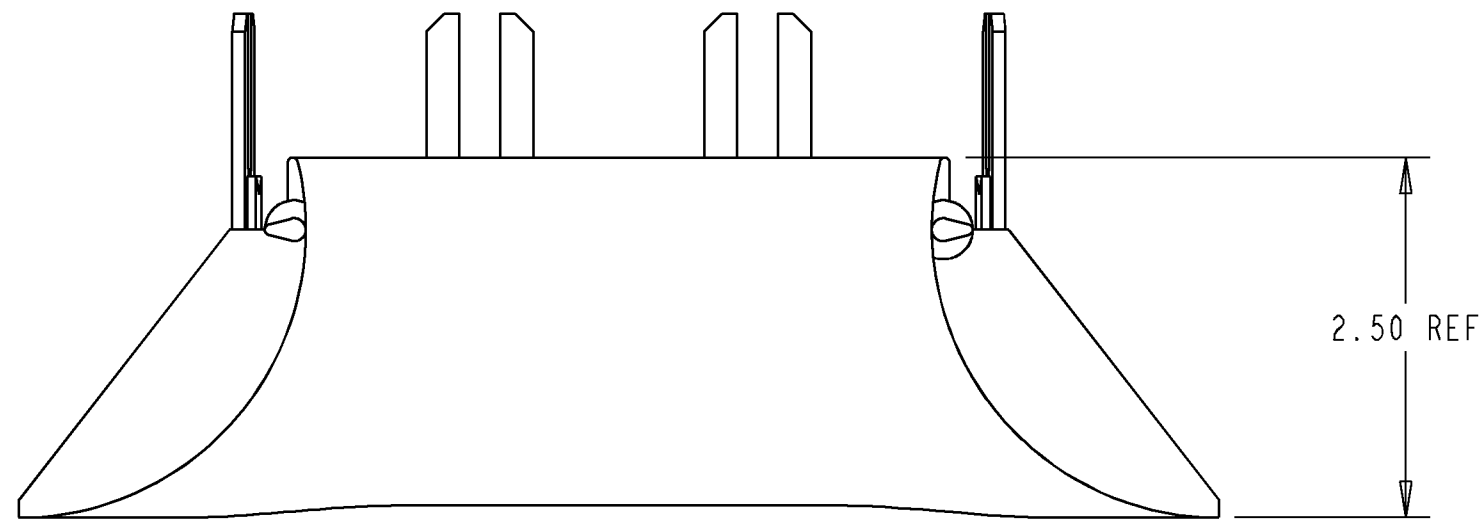


REV	MCO	DWN	DATE
C	20273892	GCC	29-SEP-09
D	20273560	RCR	28-JAN-10



NOTES:

1. KIT INCLUDES (2) TRUMPET FLARES AND MOUNTING HARDWARE.
2. MATERIAL IS SELF EXTINGUISHING WITH A UL 94 RATING OF V-0.

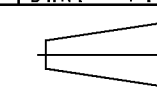
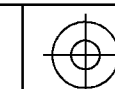
CATALOG NO.	COLOR
FGSB-MTRM-2B	BLACK
FGS-MTRM-2B	YELLOW
FGSO-MTRM-2B	ORANGE



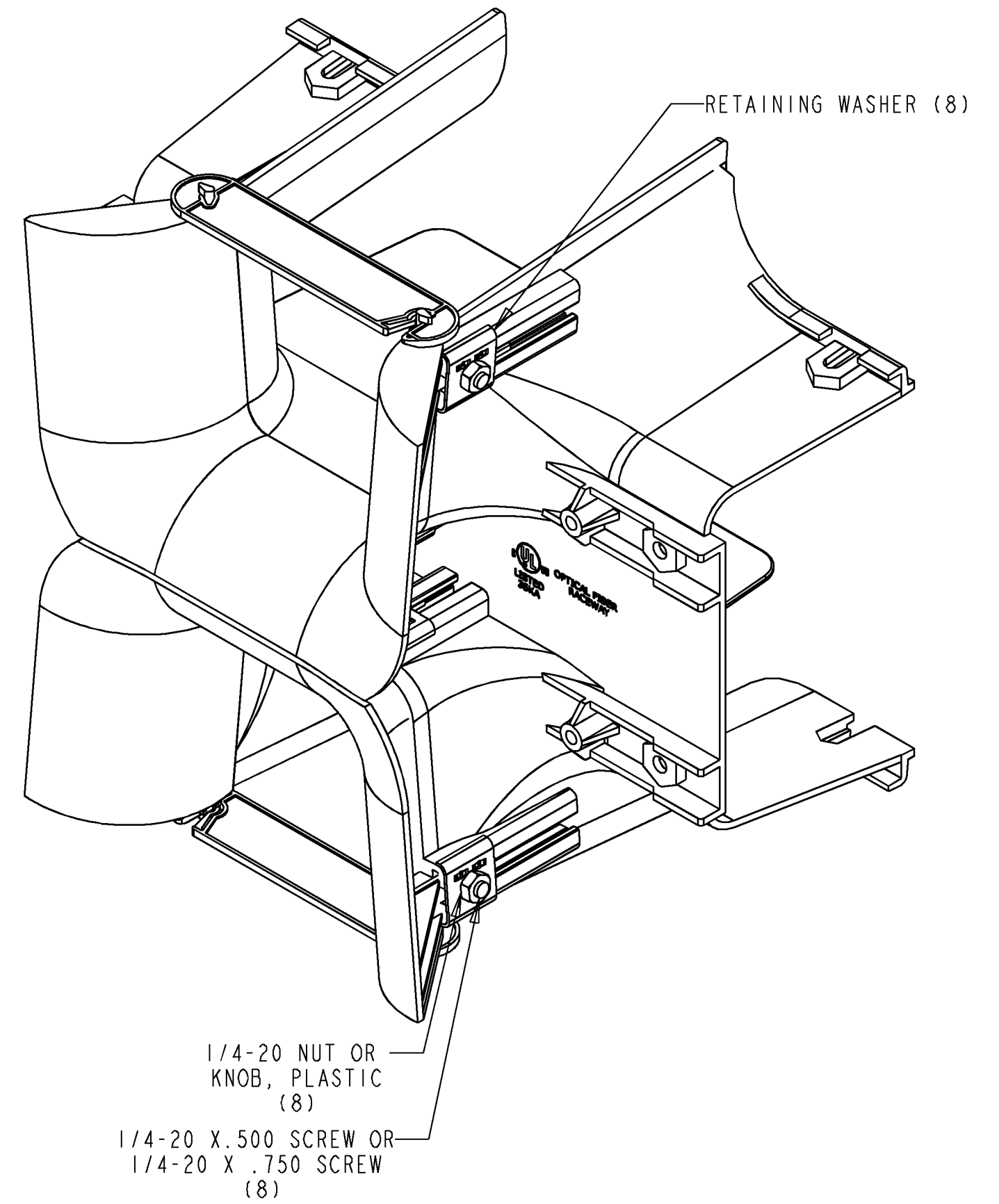
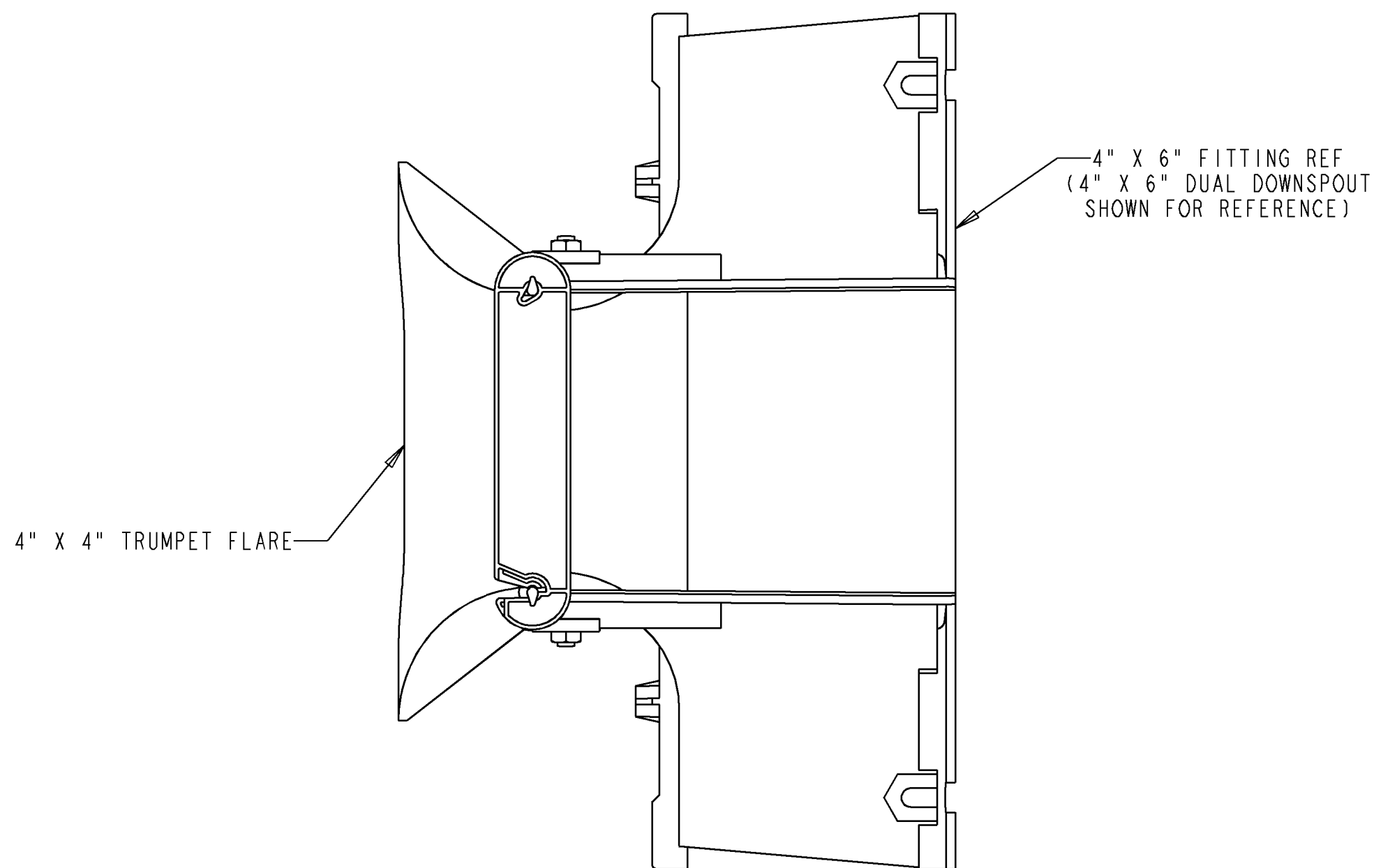
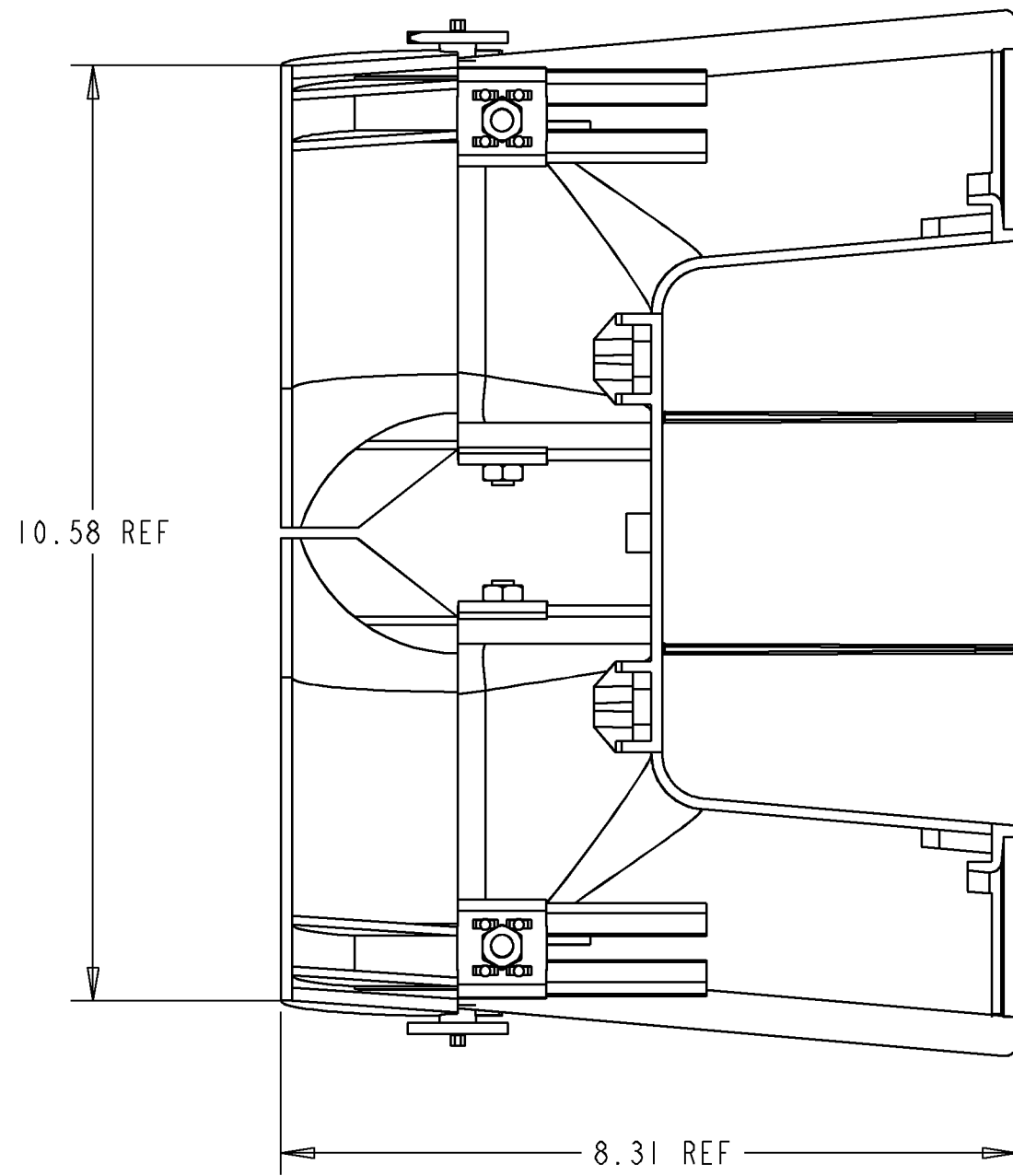
INFORMATION ON THIS DOCUMENT IS PROPRIETARY TO ADC AND SHALL NOT BE USED, COPIED, REPRODUCED OR DISCLOSED IN WHOLE OR IN PART WITHOUT WRITTEN CONSENT OF ADC.
 ALL DIMS AND TOLERANCES ARE INCHES UNLESS OTHERWISE SPECIFIED
 .XX:±N/A
 .XXX:±N/A
 ANGULAR:±N/A

TITLE: KIT, TRUMPET, DUAL, 4X4 INSTALLATION DWG
 DRAWING NUMBER: 1057471
 ENGR: T. HAATAJA
 DWN: T. HAATAJA

DO NOT SCALE DRAWING SHT. 1 OF 2



**DIMENSIONS IN INCHES
 THIRD ANGLE PROJECTION**



ASSEMBLY INSTRUCTIONS:

1. INSERT (8) 1/4-20 SCREWS OR 1/4-20 X .750 SCREW INTO THE (8) SOCKETS IN THE EXIT OF THE FITTING, AS SEEN IN DETAIL A.
2. LOCATE TRUMPET FLARE ONTO EXIT OF FITTING, OVER THE SCREWS INSERTED IN NOTE 1. ASSEMBLE (8) RETAINING WASHERS AND (8) 1/4-20 NUTS OR KNOB, PLASTIC ONTO THE (8) 1/4-20 SCREWS FROM NOTE 1, AS SHOWN. TIGHTEN SCREWS COMPLETELY.



INFORMATION ON THIS DOCUMENT IS PROPRIETARY TO ADC AND SHALL NOT BE USED, COPIED, REPRODUCED OR DISCLOSED IN WHOLE OR IN PART WITHOUT WRITTEN CONSENT OF ADC.		TITLE KIT, TRUMPET, DUAL, 4X4 INSTALLATION DWG	
ALL DIMS AND TOLERANCES ARE INCHES UNLESS OTHERWISE SPECIFIED	.XX:±N/A .XXX:±N/A ANGULAR:±N/A	C SIZE	DRAWING NUMBER 1057471
DO NOT SCALE DRAWING		ENGR: T. HAATAJA DWN: T. HAATAJA	D REV SHT. 2 OF 2

DIMENSIONS IN INCHES
THIRD ANGLE PROJECTION