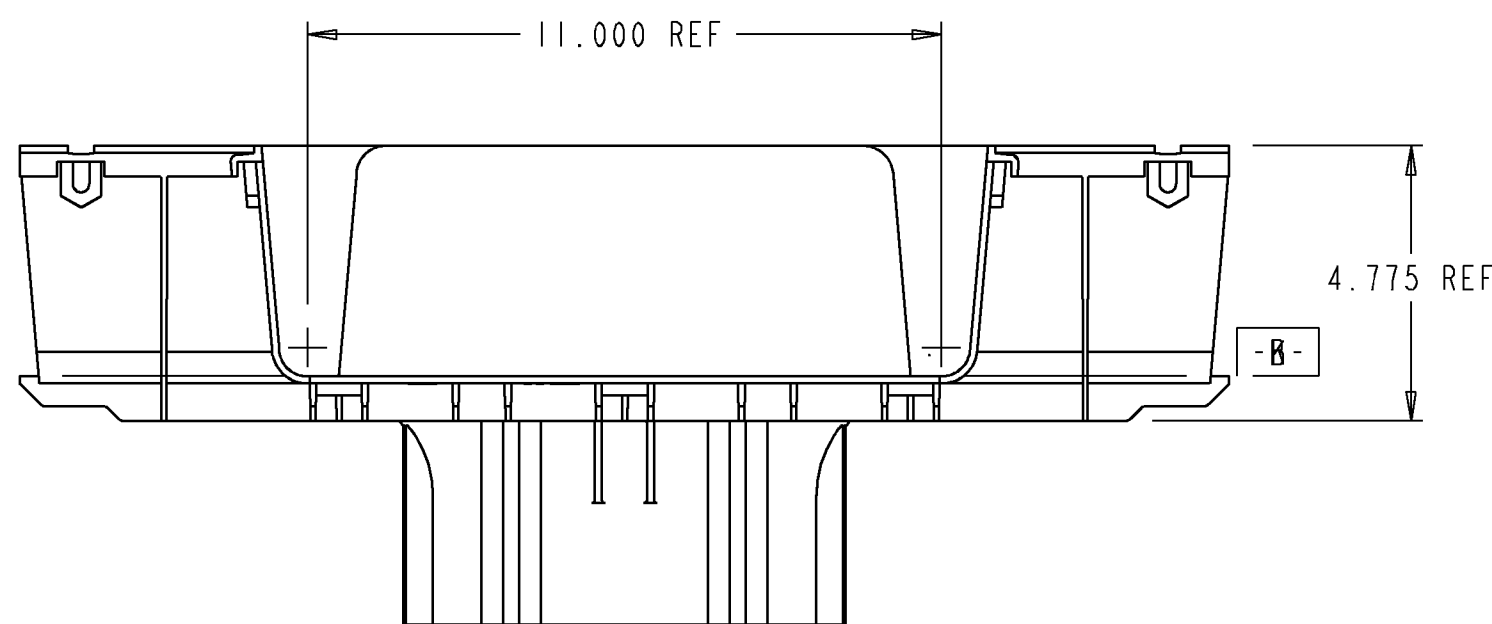
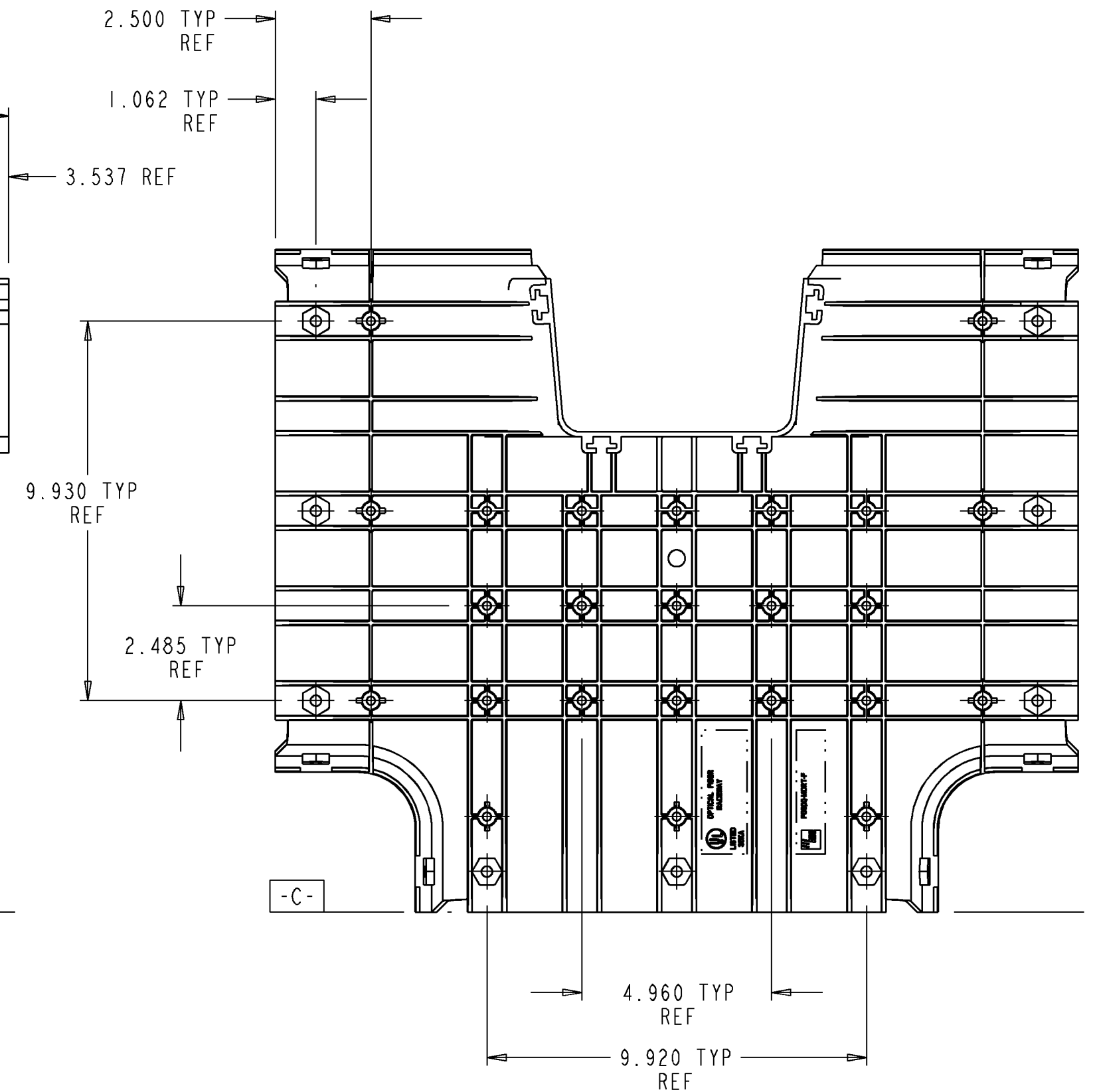
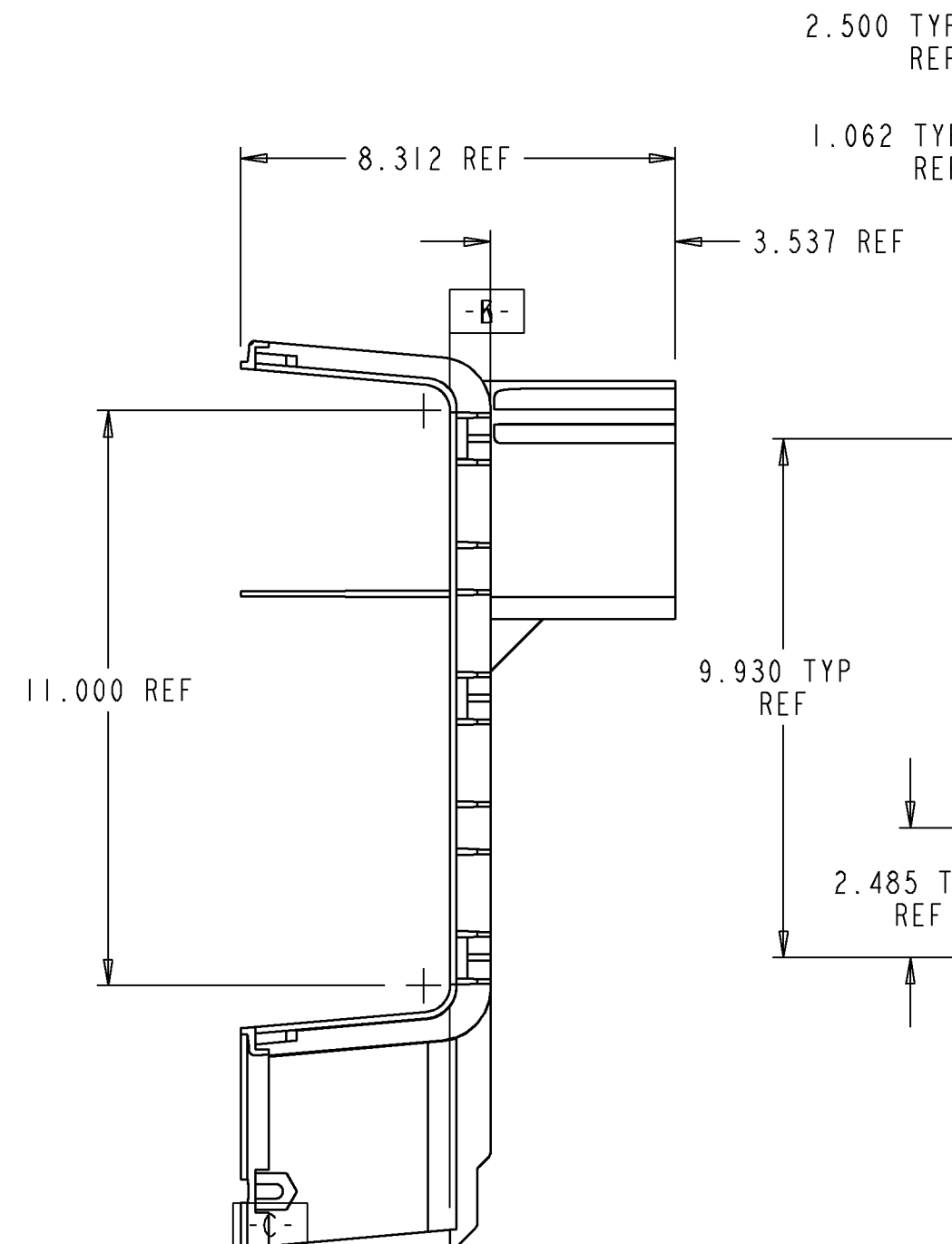
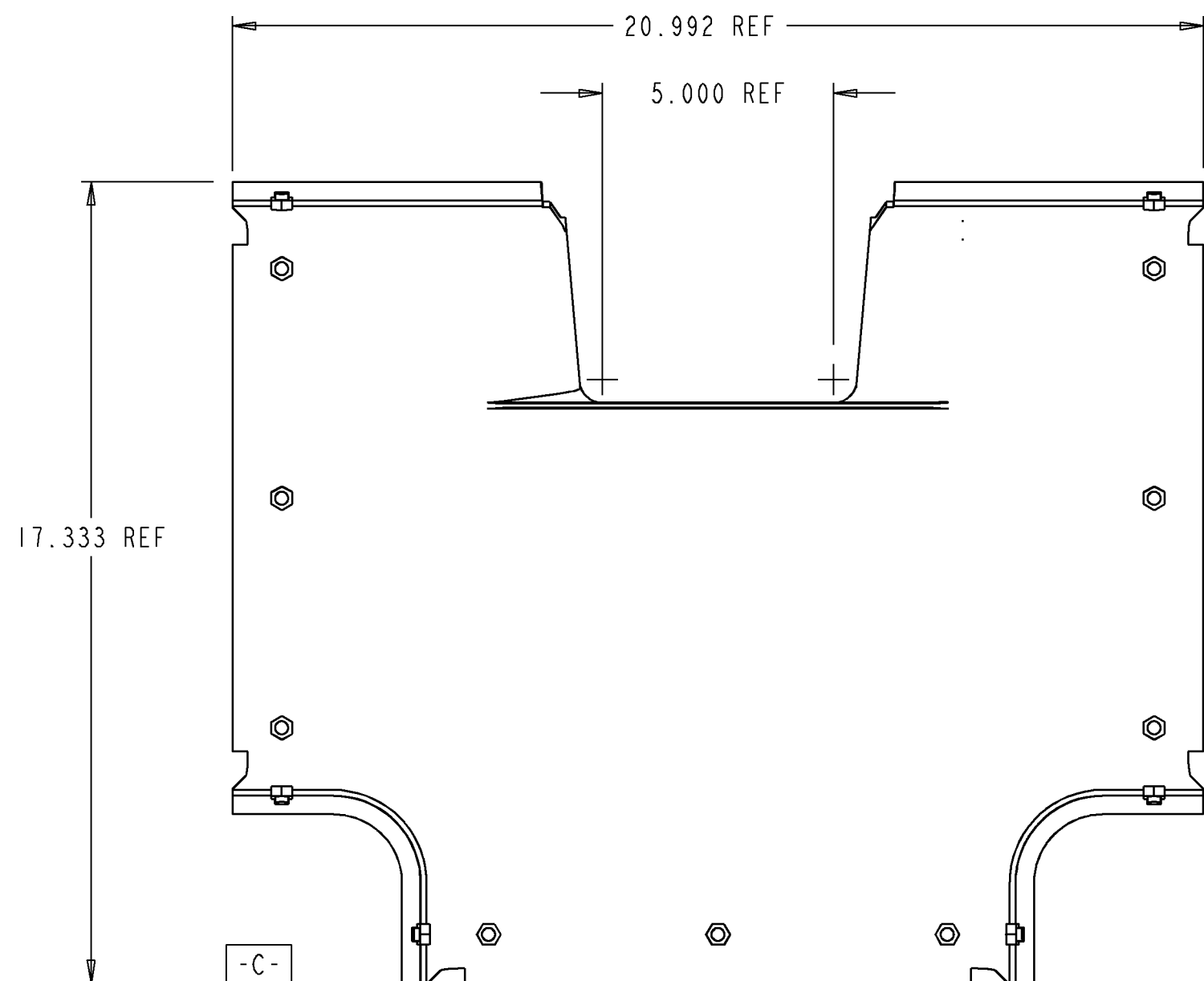


REV	ECO	DWN	DATE
A	20087267	MJW	09-APR-01
B	20238949	AED	29-APR-08



NOTES:
 1. MATERIAL IS SELF EXTINGUISHING WITH A UL 94 RATNG OF V-0.

FGSB-MDRT-F	BLACK
FGSO-MDRT-F	ORANGE
FGS-MDRT-F	YELLOW
CATALOG NO.	COLOR



INFORMATION ON THIS DOCUMENT IS PROPRIETARY TO ADC AND SHALL NOT BE USED, COPIED, REPRODUCED, OR DISCLOSED IN WHOLE OR IN PART WITHOUT WRITTEN CONSENT OF ADC.		TITLE DWSPT, 4X6 EXIT 4X12 TEE, INSTALLATION DRAWING	
TOLERANCE UNLESS OTHERWISE SPECIFIED	.XX:±.03 .XXX:±.020 ANGULAR:±1°	C SIZE	DRAWING NUMBER
DO NOT SCALE DRAWING	ENGR: JOHN VAN SCOY DWN: MIKE WENTWORTH	SHT. 1 OF 1	

DIMENSIONS IN INCHES
THIRD ANGLE PROJECTION