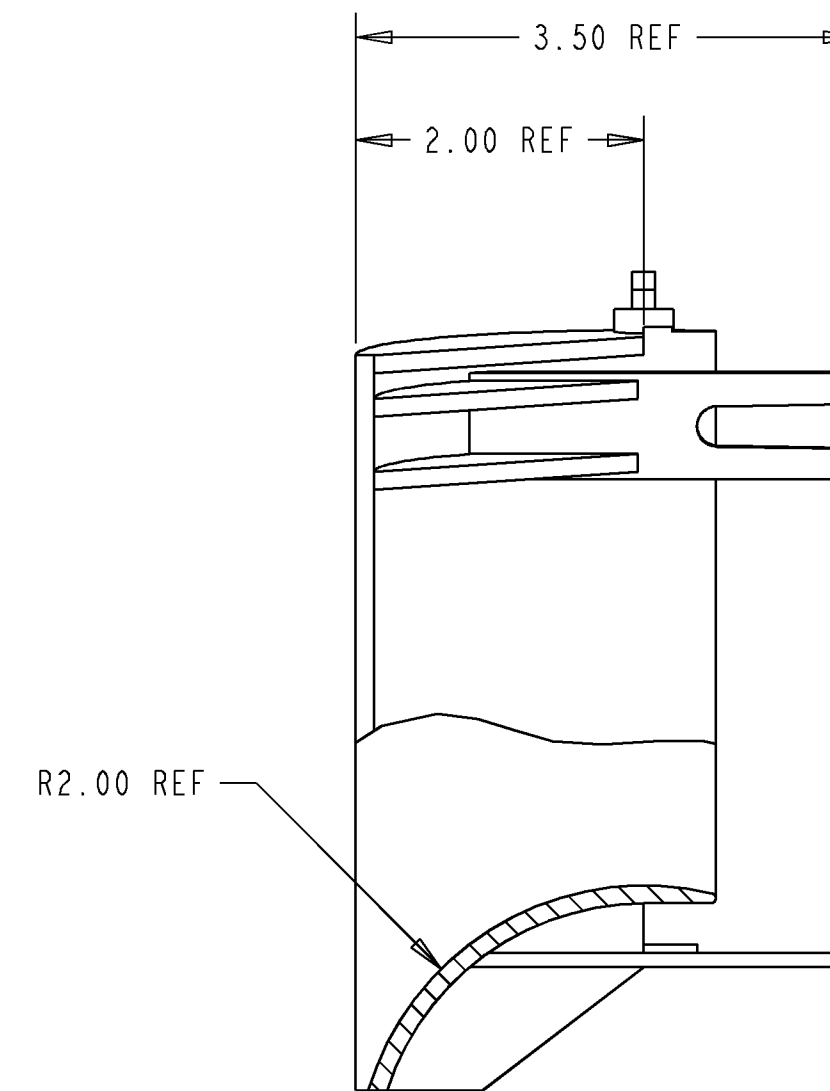
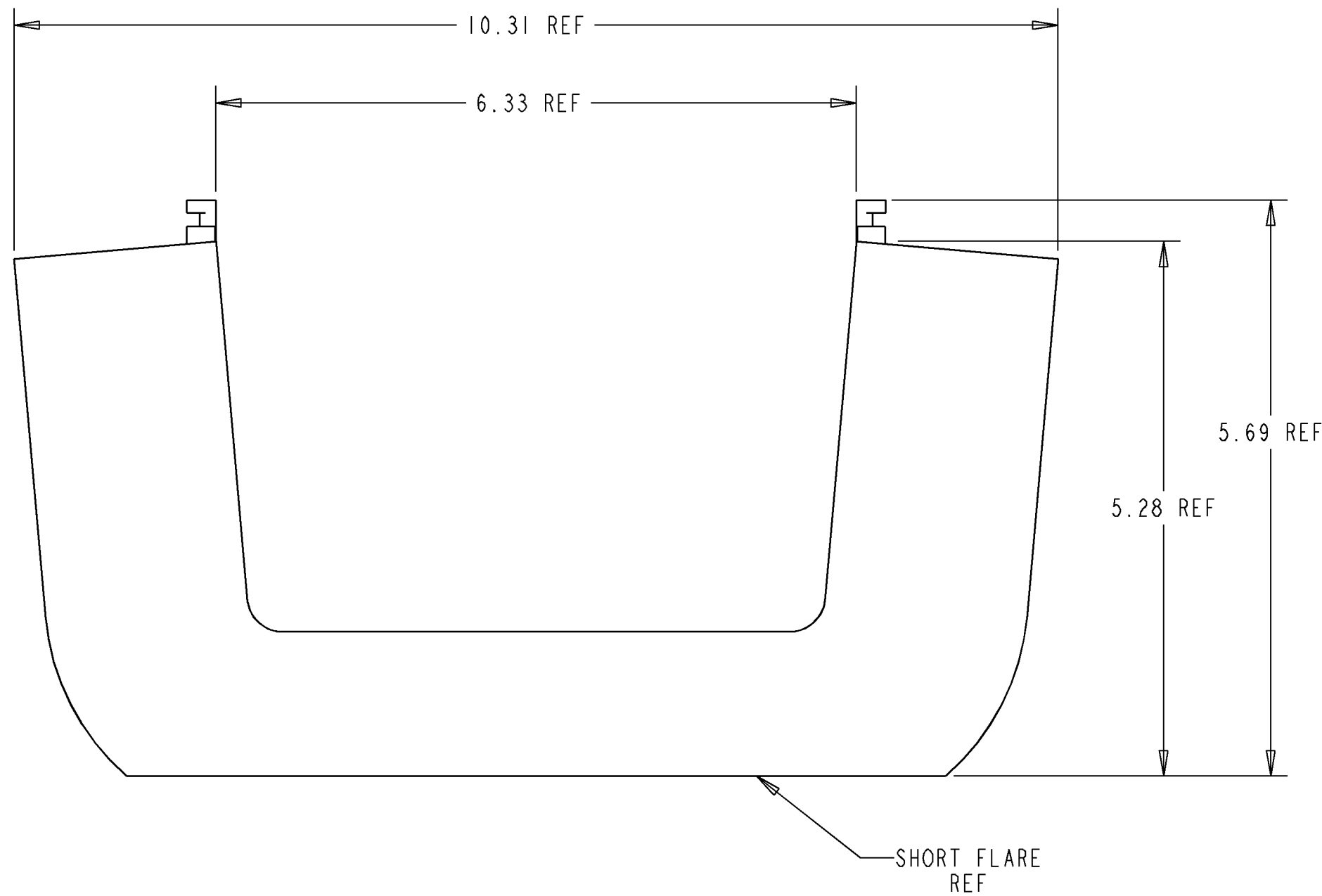
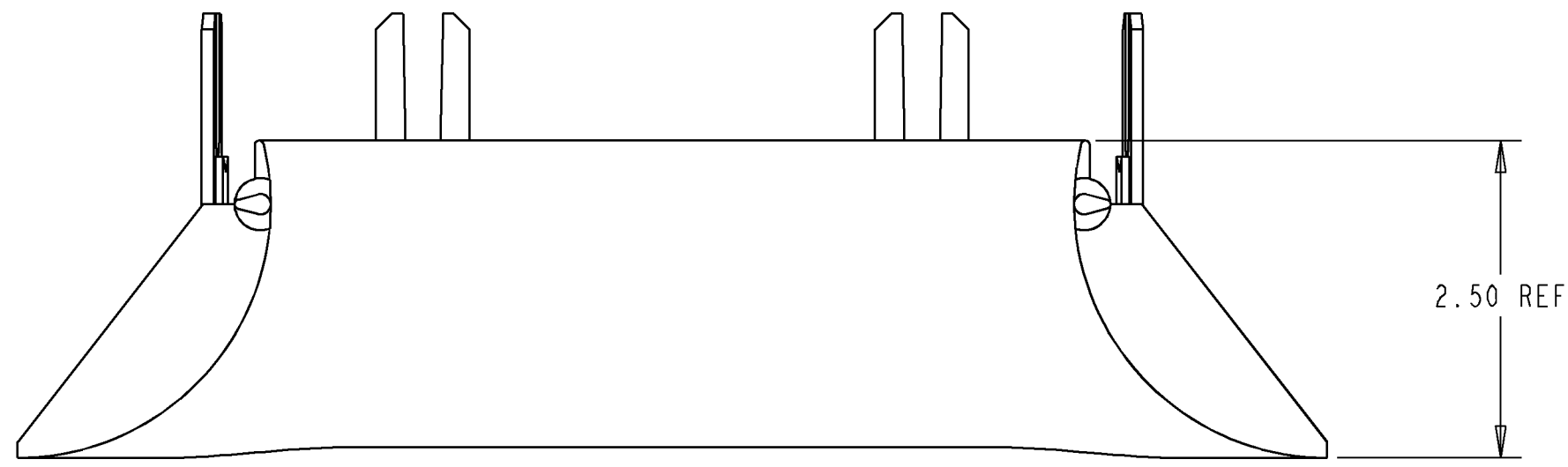


REV	MCO	DWN	DATE
C	20273746	GCC	25-SEP-09
D	20273560	RCR	25-SEP-09



NOTES:

1. KIT INCLUDES (2) TRUMPET FLARES AND MOUNTING HARDWARE.
2. MATERIAL IS SELF EXTINGUISHING WITH A UL 94 RATING OF V-0.

CATALOG NO.	COLOR
FGSB-MTRM-2B-IMP	BLACK
FGS-MTRM-2B-IMP	YELLOW
FGSO-MTRM-2B-IMP	ORANGE



INFORMATION ON THIS DOCUMENT IS PROPRIETARY TO ADC AND SHALL NOT BE USED, COPIED, REPRODUCED OR DISCLOSED IN WHOLE OR IN PART WITHOUT WRITTEN CONSENT OF ADC.

ALL DIMS AND TOLERANCES ARE INCHES UNLESS OTHERWISE SPECIFIED

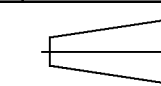
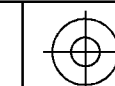
DO NOT SCALE DRAWING

TITLE
KIT, TRUMPET, DUAL, 4X6
INSTALLATION DRAWING

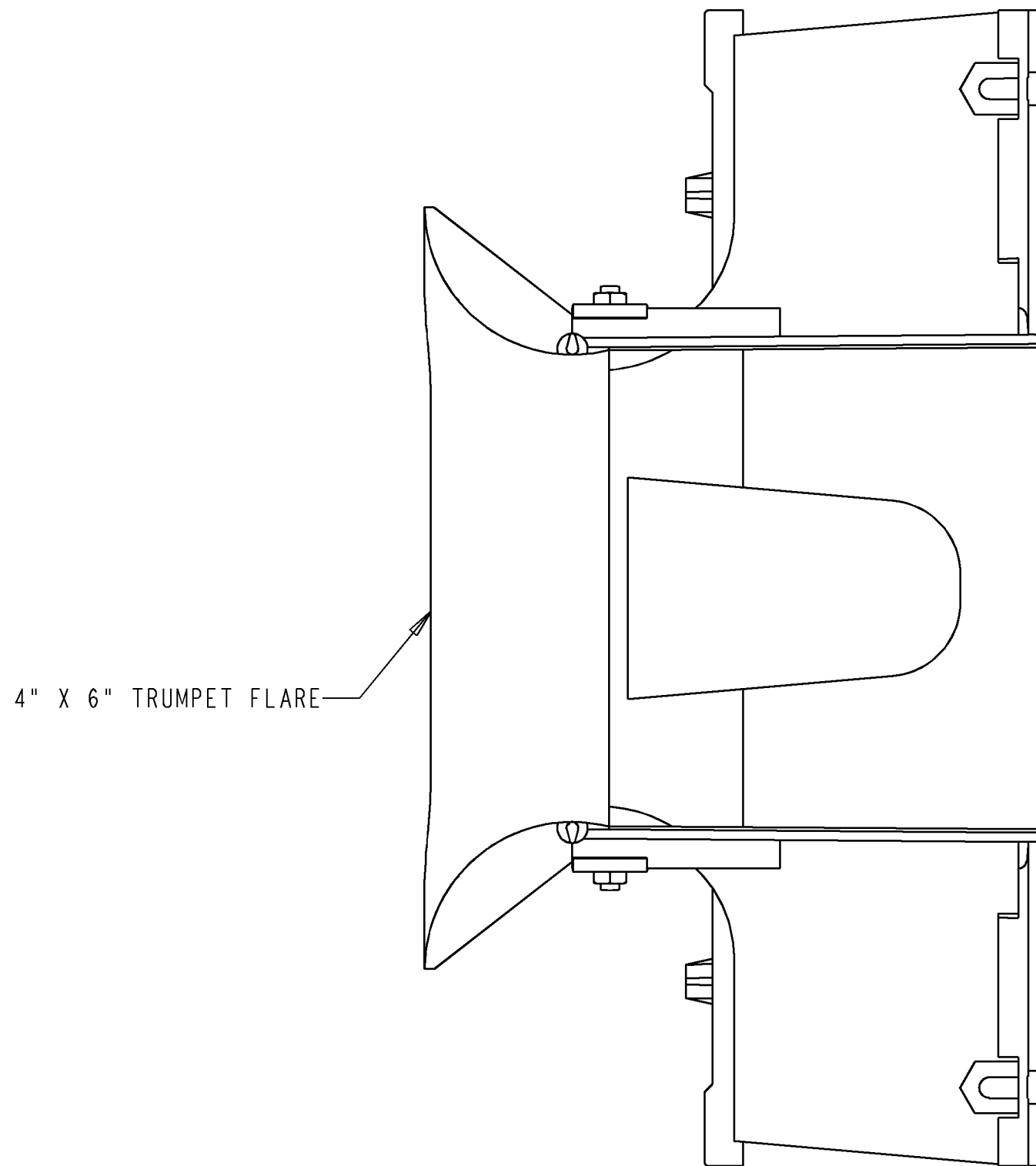
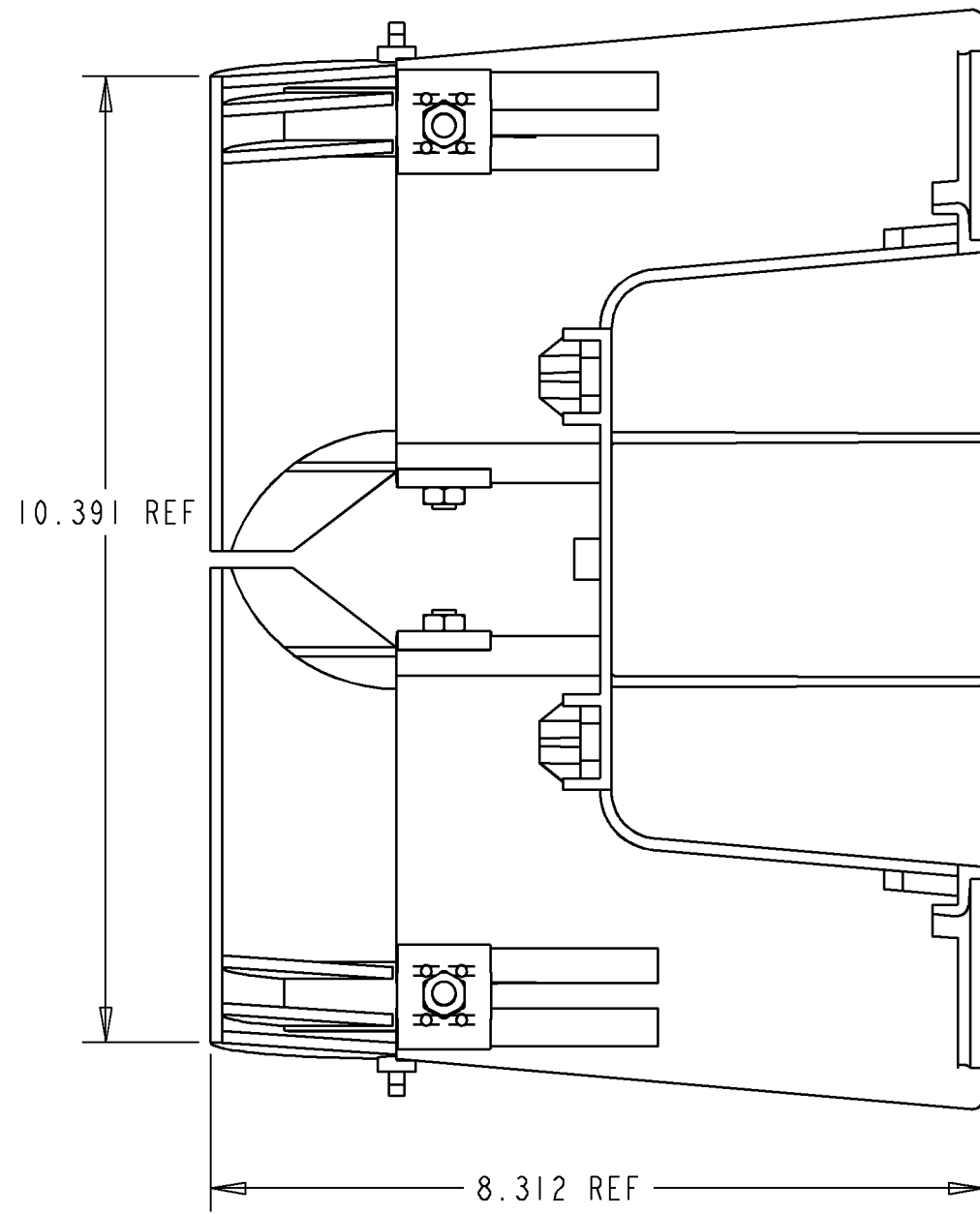
DRAWING NUMBER
1057472

ENGR: T. HAATAJA
DWN: T. HAATAJA

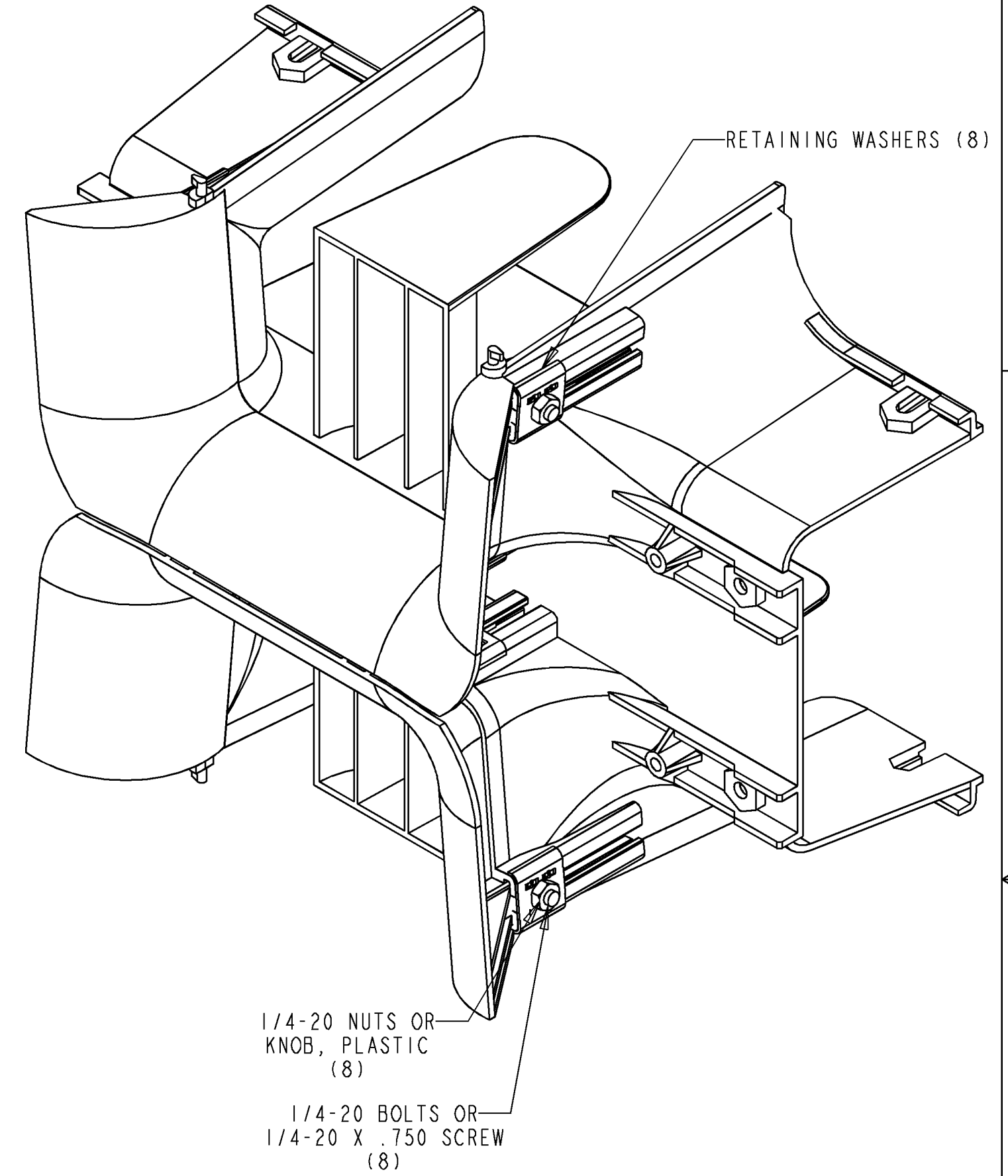
SHT. 1 OF 2



**DIMENSIONS IN INCHES
THIRD ANGLE PROJECTION**



4" X 6" FITTING REF
(4" X 6" DUAL DOWNSPOUT
WITH DUAL IMP EXITS SHOWN
FOR REF ONLY)



ASSEMBLY INSTRUCTIONS:

1. INSERT (8) 1/4-20X .500 SCREWS OR 1/4-20 X .750 SCREW INTO THE (8) SOCKETS IN THE EXIT OF THE FITTING, AS SEEN IN DETAIL A.
2. LOCATE TRUMPET FLARE ONTO EXIT OF FITTING, OVER THE SCREWS INSERTED IN NOTE 1. ASSEMBLE (8) RETAINING WASHERS AND (8) 1/4-20 NUTS OR KNOB, PLASTIC ONTO THE (8) 1/4-20 SCREWS FROM NOTE 1, AS SHOWN. TIGHTEN SCREWS COMPLETELY.



INFORMATION ON THIS DOCUMENT IS PROPRIETARY TO ADC AND SHALL NOT BE USED, COPIED, REPRODUCED OR DISCLOSED IN WHOLE OR IN PART WITHOUT WRITTEN CONSENT OF ADC.

ALL DIMS AND TOLERANCES .XX:±N/A ARE INCHES UNLESS .XXX:±N/A OTHERWISE SPECIFIED ANGULAR:±N/A

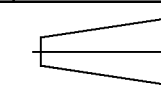
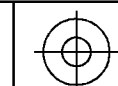
DO NOT SCALE DRAWING

TITLE
KIT TRUMPET, DUAL, 4X6
INSTALLATION DRAWING

DRAWING NUMBER
1057472

ENGR: T. HAATAJA
DWN: T. HAATAJA

SHT. 2 OF 2



**DIMENSIONS IN INCHES
THIRD ANGLE PROJECTION**