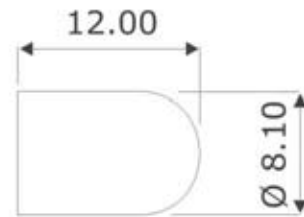
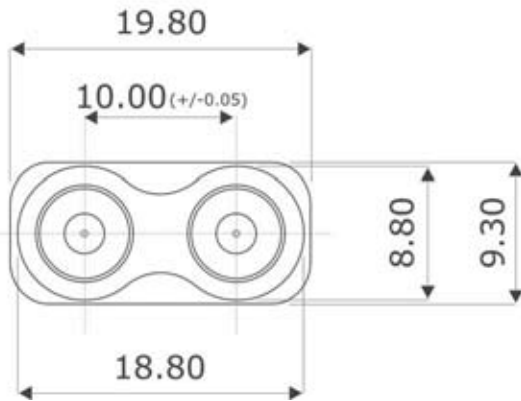
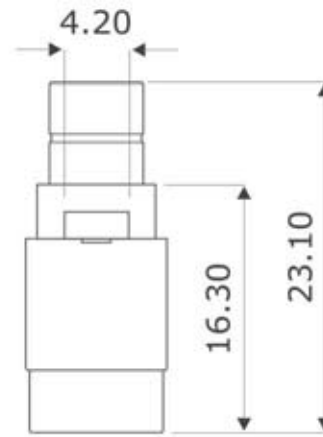
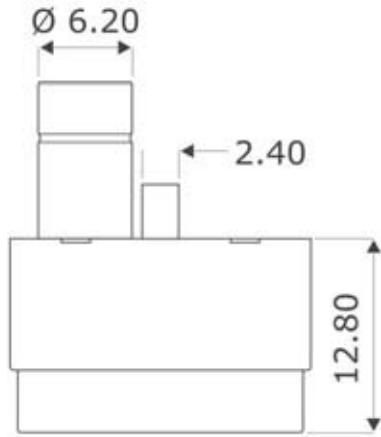


316-303 U LINK 10B(WITH TEST PORT)



ELECTRICAL

Impedance

75 ohms

Frequency

DC to 4 GHz

Working Voltage

500V RMS Maximum

Dielectric Withstanding Voltage

1500V RMS Maximum

MECHANICAL / ENVIRONMENTAL

Durability

500 mating cycles

Temperature Range

-65 to +165 Deg C

MATERIALS

Body

Zinc Alloy, Nickel plated

Inner Contact

Beryllium Copper, Gold plated

Outer Contact

Phosphor Bronze, Gold plated

Pin

Phosphor Bronze, Gold plated

Insulator

PTFE

Dust Cap

Rubber