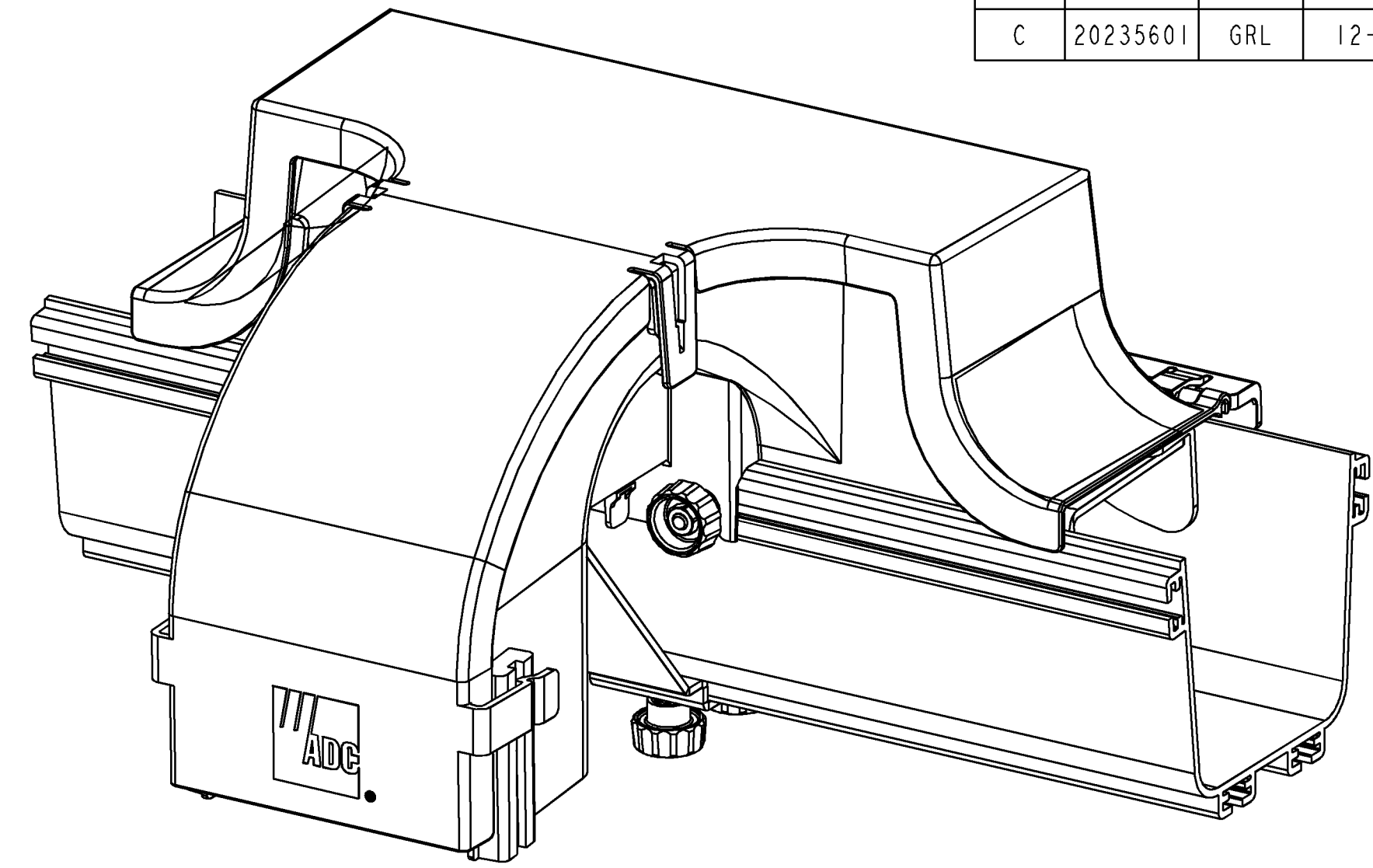
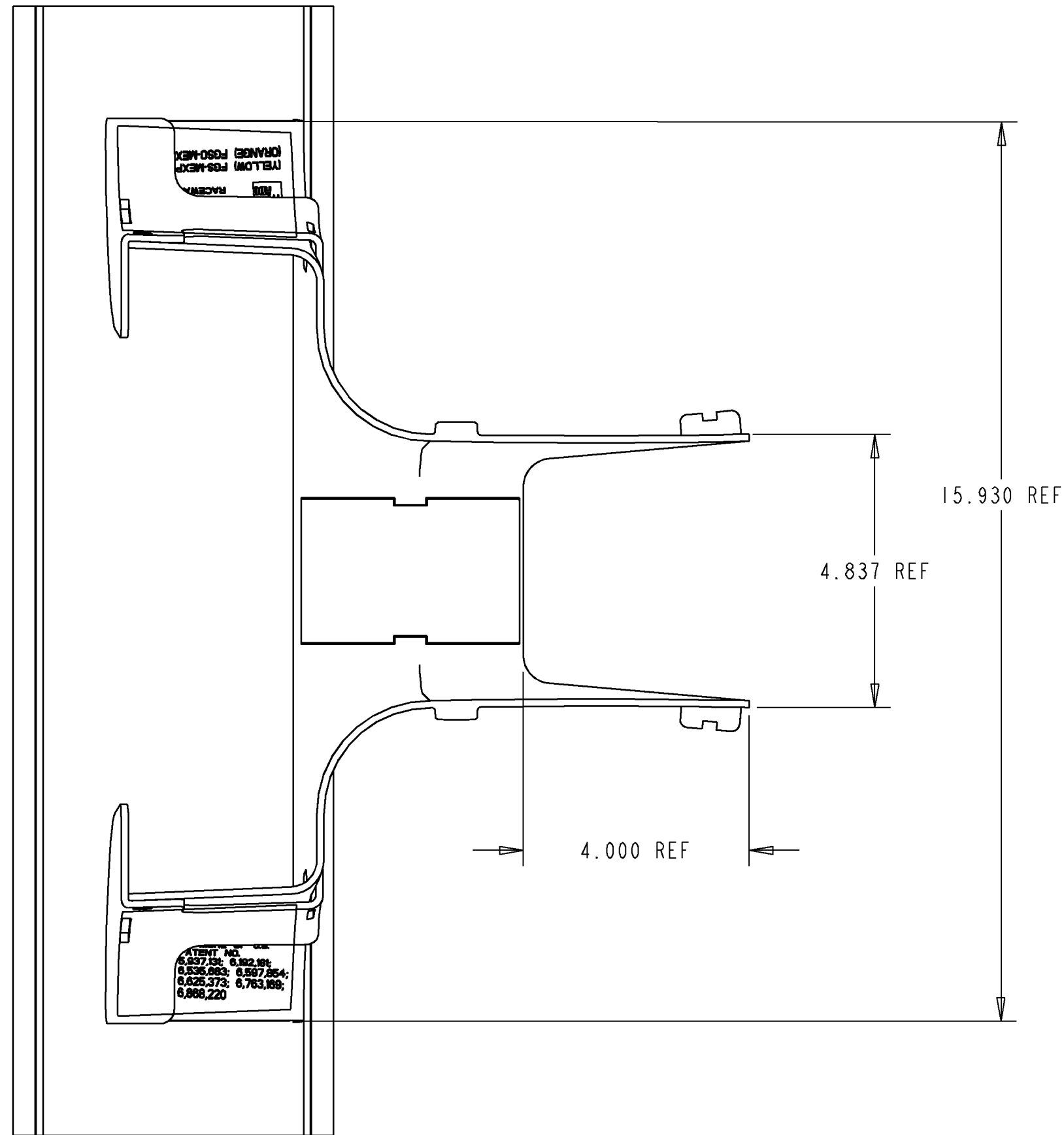


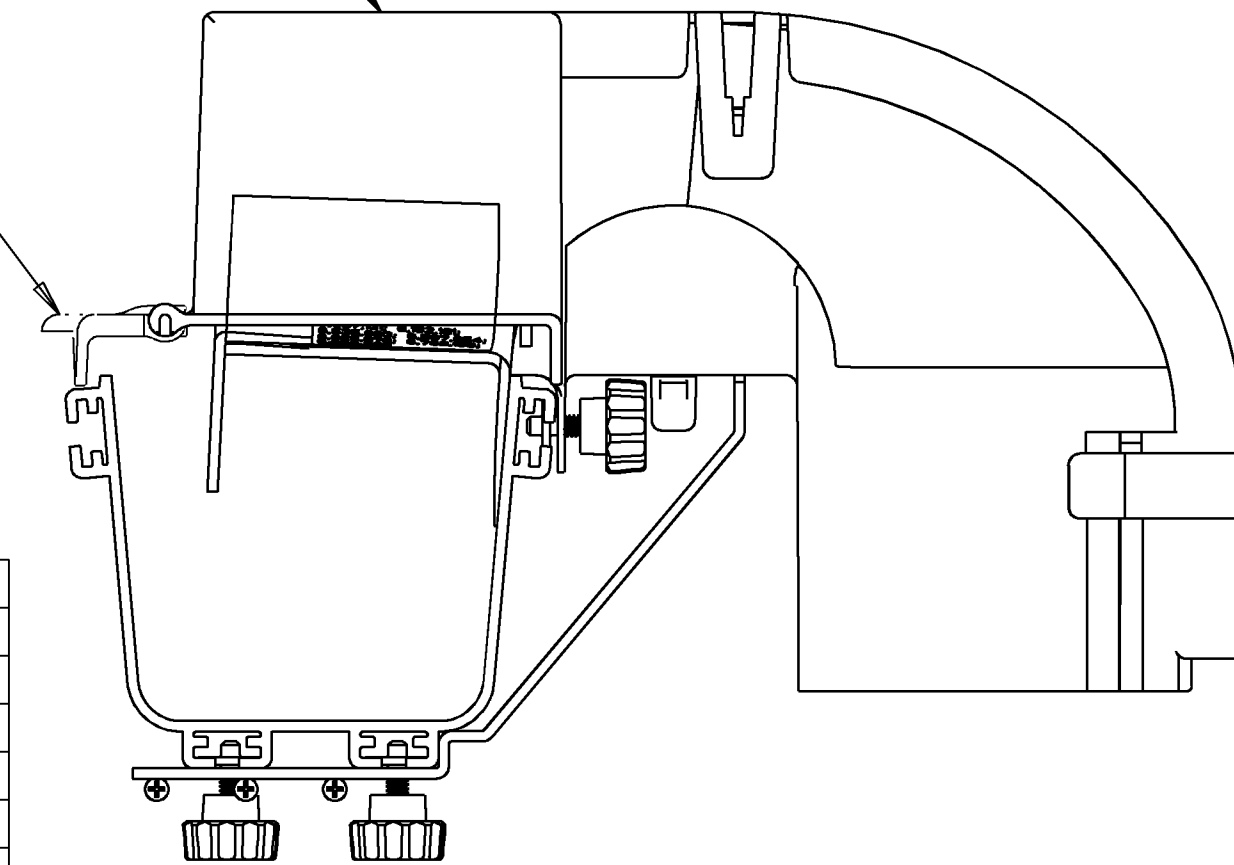
REV	MCO	DWN	DATE
B	20091777	CDZ	25-MAY-01
C	20235601	GRL	12-MAR-08



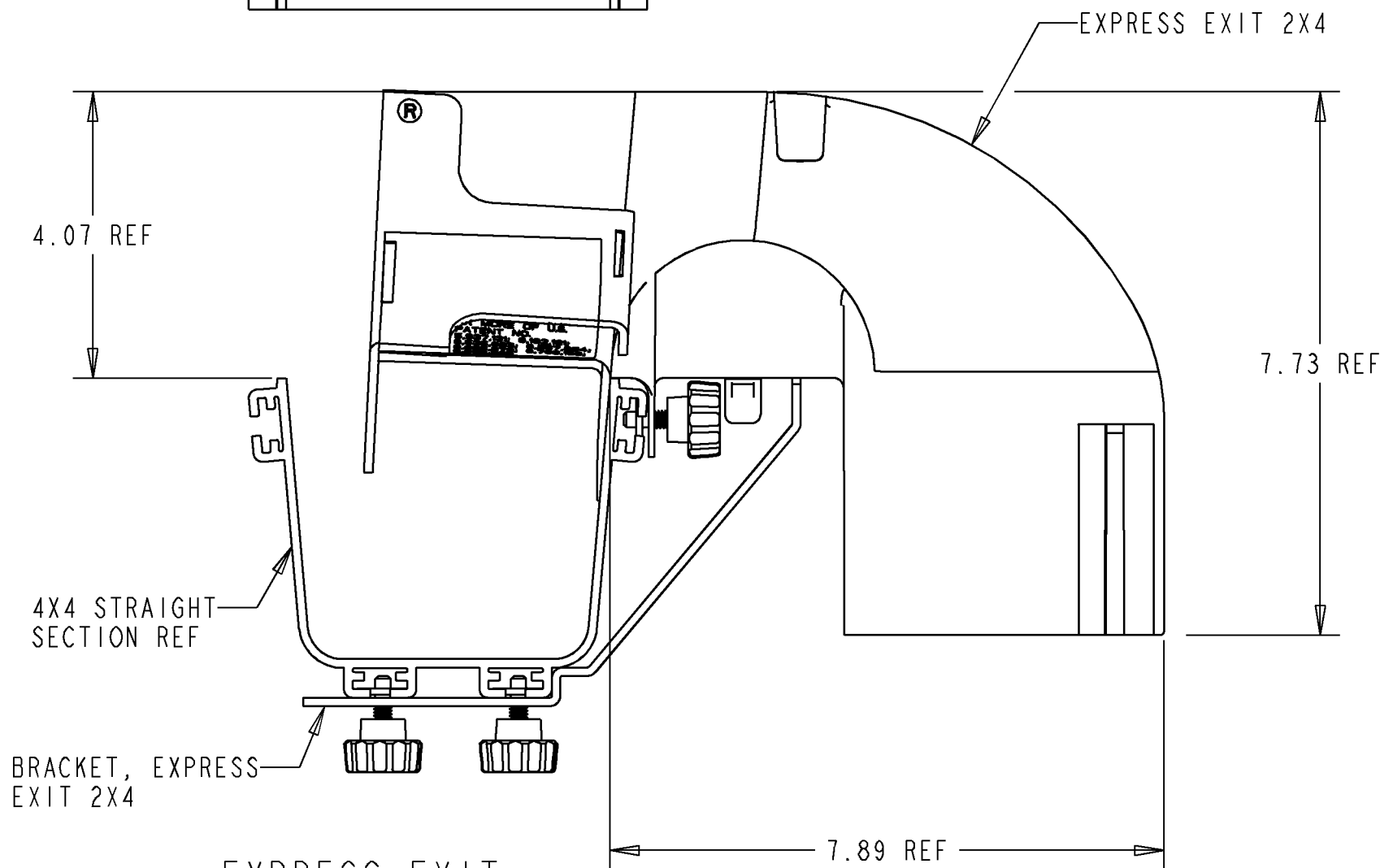
ISO VIEW
SCALE 0.450

COVER, EXPRESS EXIT 2X4

COVER EXTENSION
4X4 FLIP COVER
FGS-MEXC-E-A
(NOT INCLUDED IN KIT)



FLIP COVER OPEN VIEW
SCALE 0.450



EXPRESS EXIT
ON TROUGH VIEW
SCALE 0.450

PARTS LIST	
DESCRIPTION	QTY
EXPRESS EXIT 2X4	1
COVER, EXPRESS EXIT 2X4	1
BRACKET, RETAINING FIBER RIGHT	1
BRACKET, RETAINING FIBER LEFT	1
INSERT, BLANK REMOVABLE	1
INSERT, RIGHT REMOVEABLE	1
INSERT, LEFT REMOVEABLE	1
BRACKET, EXPRESS EXIT 2X4	1
BRACKET, EXTENSION	1
QUICK KNOB ASSEMBLY	4
SCREW, 6-32 X .25	4

FGSB-MEXP-E-A/B/F	BLACK
FGSO-MEXP-E-A/B/F	ORANGE
FGS-MEXP-E-A/B/F	YELLOW
CATALOG NO.	COLOR



INFORMATION ON THIS DOCUMENT IS PROPRIETARY TO ADC AND SHALL NOT BE USED, COPIED, REPRODUCED OR DISCLOSED IN WHOLE OR IN PART WITHOUT WRITTEN CONSENT OF ADC.

ALL DIMS AND TOLERANCES .XX:±N/A ARE INCHES UNLESS .XXX:±N/A OTHERWISE SPECIFIED ANGULAR:±N/A

DO NOT SCALE DRAWING

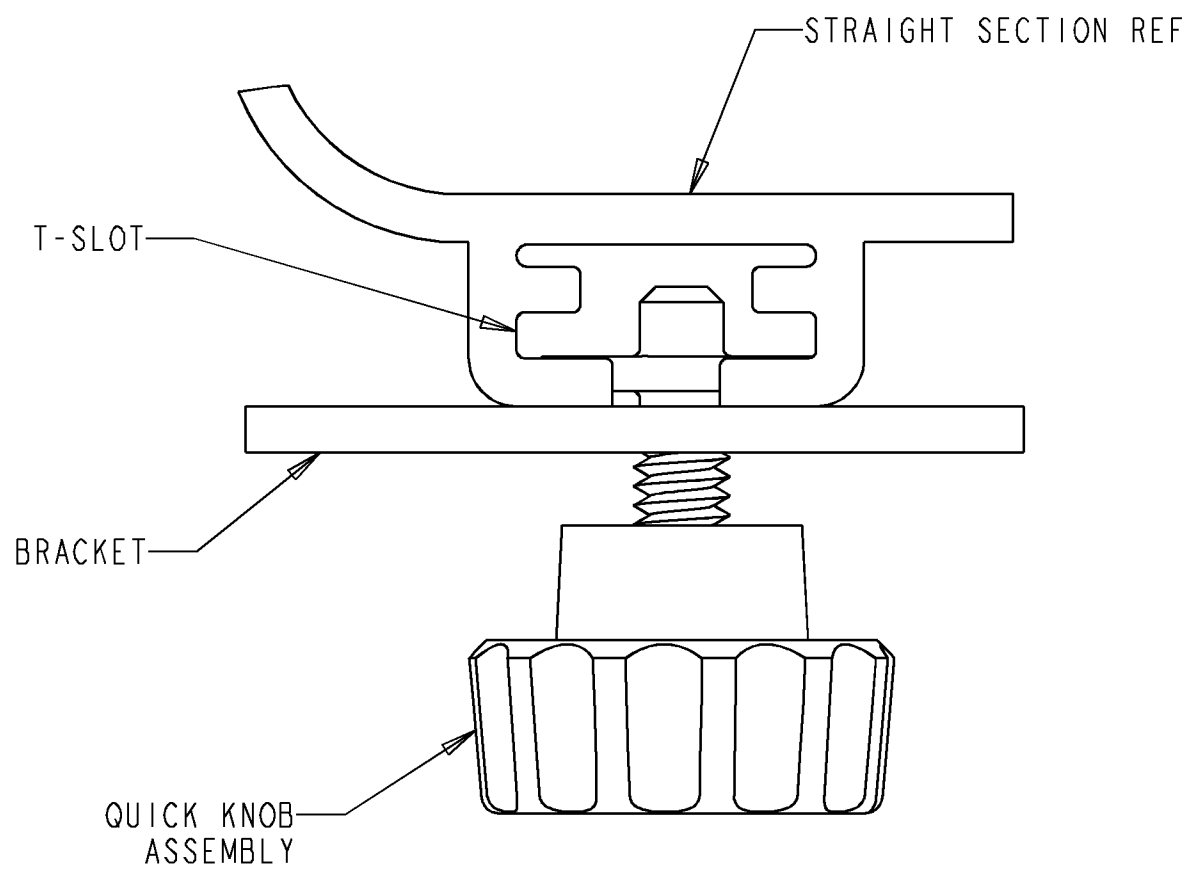
ENGR: JOHN VAN SCOY
DWN: JASON DANNER

TITLE KIT, BRACKET, RESTRAINING, L/R, FGS

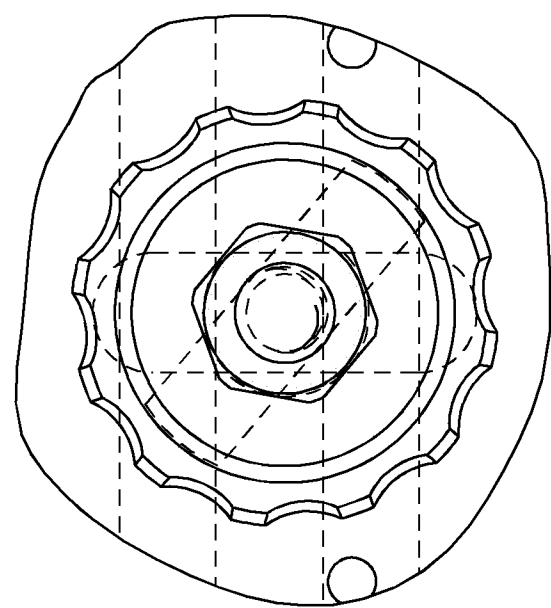
DRAWING NUMBER 1147583

SHT. 1 OF 4

DIMENSIONS IN INCHES
THIRD ANGLE PROJECTION



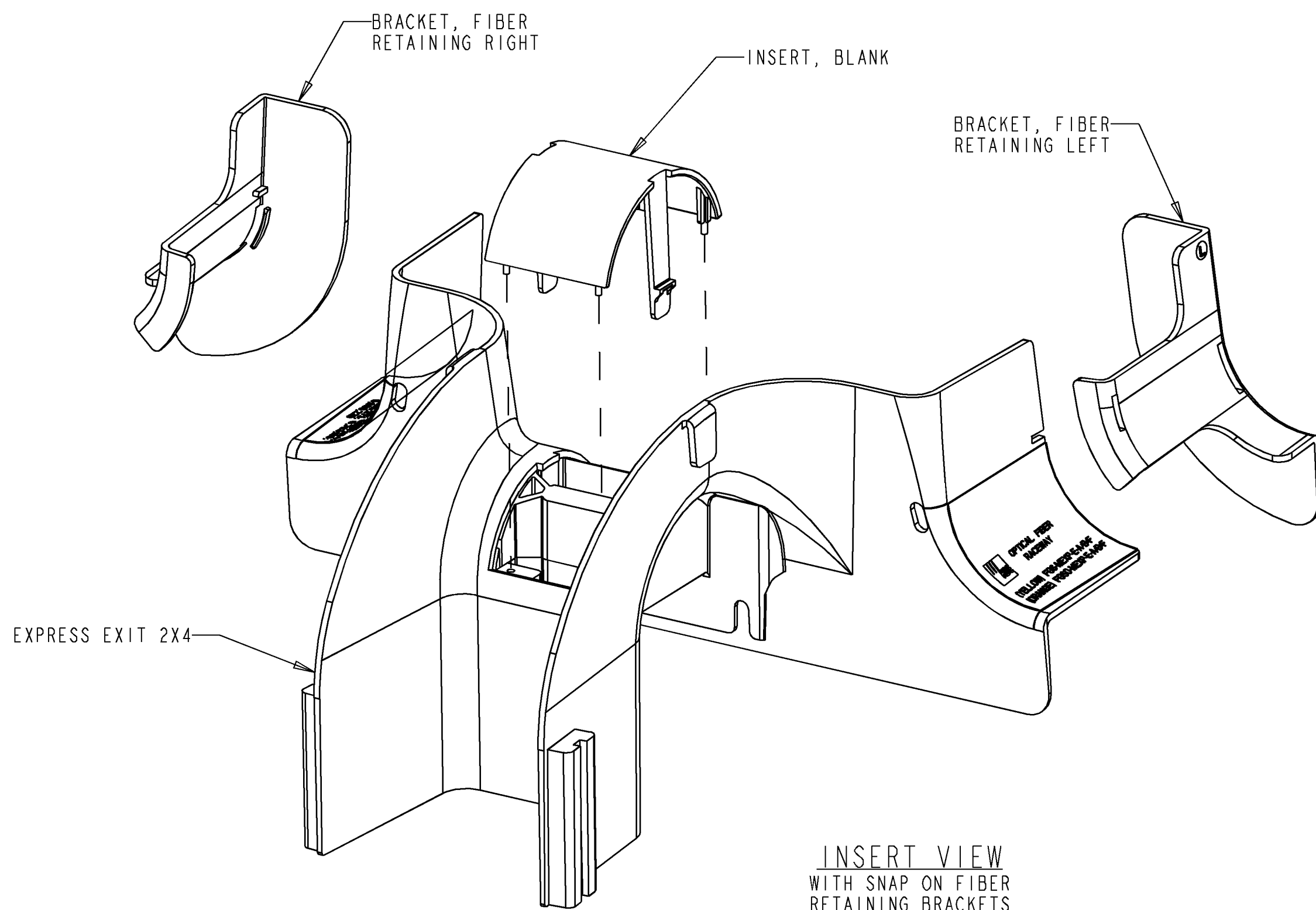
DETAIL A
QUICK KNOB
INSTALLATION VIEW
SCALE 2.000



INSTALLATION INSTRUCTIONS:

1. PLACE FIBER RETAINING BRACKETS ON EXPRESS EXIT BY ALIGNING RAISED TAB ON BRACKET WITH CUT OUT ON EXPRESS EXIT AND ROTATE TOWARDS EXPRESS EXIT UNTIL SNAPPED INTO PLACE. (OPTIONAL)
2. INSTALL REMOVEABLE INSERT OF CHOICE (BLANK, RIGHT OR LEFT) BY DEPRESSING TABS AND SLIDING INTO PLACE WHILE ALIGNING PINS. IF PINS DO NOT MATCH HOLES, ROTATE INSERT 180°; HOLES ARE OFFSET TO PROVIDE CORRECT PLACEMENT.
3. PLACE EXPRESS EXIT 2X4 ON STRAIGHT SECTION AS SHOWN.
4. LIFT ONE END OF EXPRESS EXIT 2X4 AND INSTALL QUICK KNOBS INTO T-SLOT, LOWER EXPRESS EXIT ONTO STRAIGHT SECTION. REPEAT FOR OTHER SIDE. ROTATE QUICK KNOBS CLOCKWISE SUCH THAT T-BOLT FLANGES EXTEND INTO T-SLOT. LOOSELY HAND TIGHTEN QUICK KNOBS. SEE DETAIL A.

*WARNING: IF EXPRESS EXIT IS REMOVED FROM STRAIGHT SECTION WHILE QUICK KNOBS ARE INSTALLED, QUICK KNOBS WILL FALL OUT.
5. ATTACH EXTENSION BRACKET TO EXPRESS EXIT USING 6-32 X .25 LONG SCREWS. (4X6 AND 4X12 STRAIGHT SECTION ONLY)
6. INSERT QUICK KNOBS THROUGH BRACKET, ROTATE 90° AND INTO T-SLOT IN STRAIGHT SECTION WHILE INSERTING BRACKET INTO EXPRESS EXIT SLOT. ROTATE QUICK KNOBS CLOCKWISE SUCH THAT T-BOLT FLANGES EXTEND INTO T-SLOT. SEE DETAIL A.
7. TIGHTEN (4) QUICK KNOBS COMPLETELY.

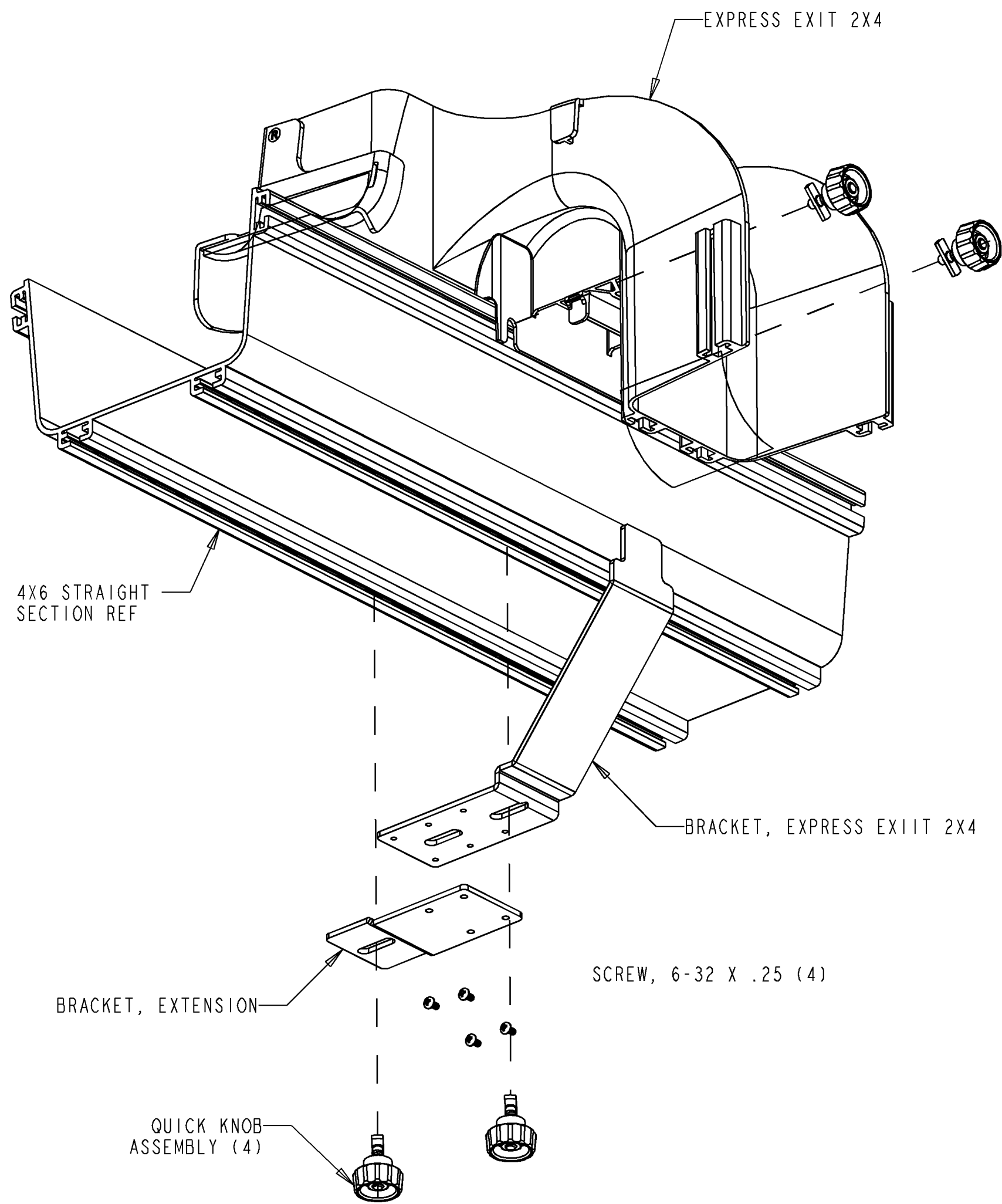


INSERT VIEW
WITH SNAP ON FIBER
RETAINING BRACKETS
SCALE 0.500

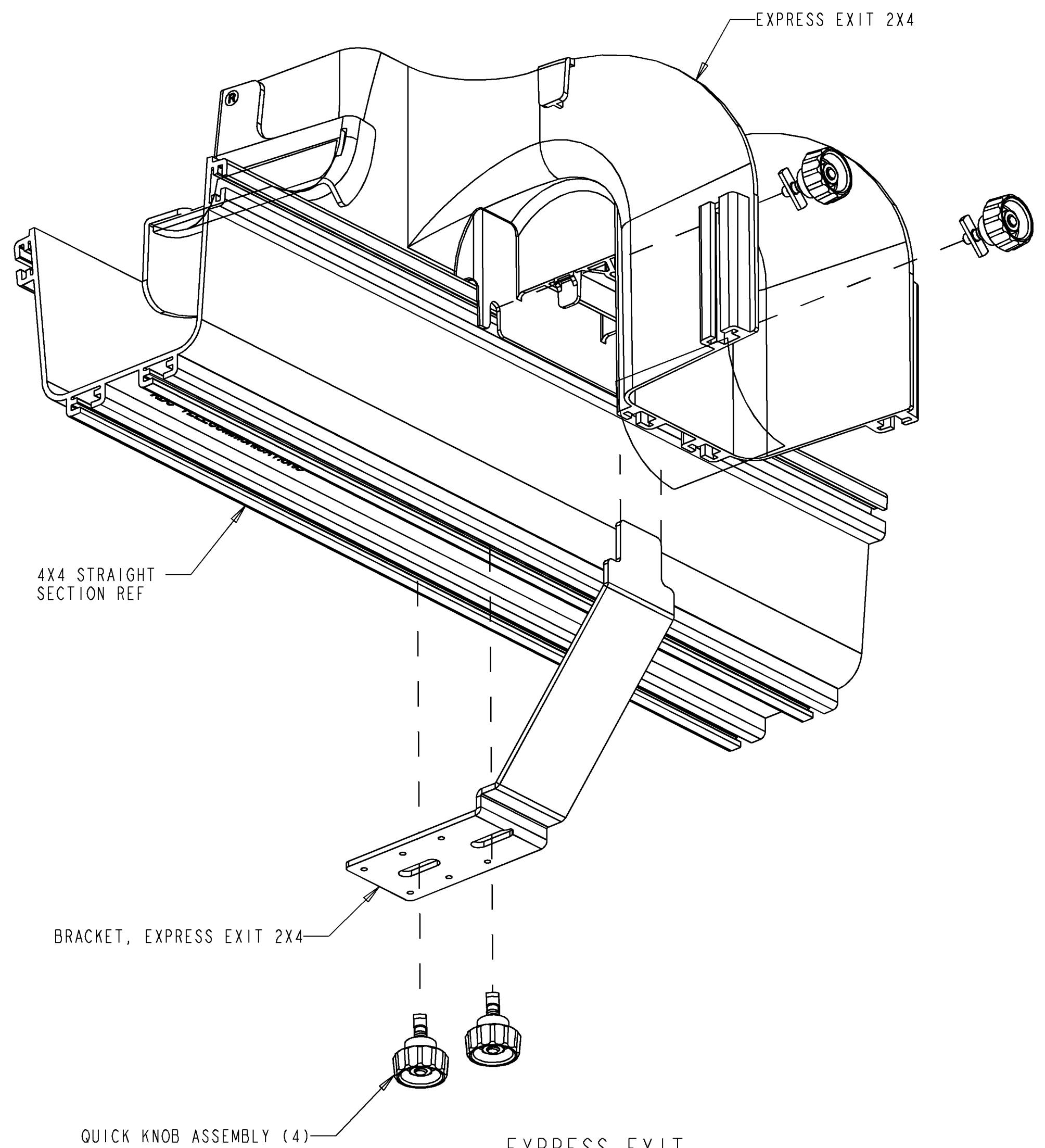


INFORMATION ON THIS DOCUMENT IS PROPRIETARY TO ADC AND SHALL NOT BE USED, COPIED, REPRODUCED OR DISCLOSED IN WHOLE OR IN PART WITHOUT WRITTEN CONSENT OF ADC.		TITLE KIT, BRACKET, RESTRAINING, L/R, FGS	
ALL DIMS AND TOLERANCES ARE INCHES UNLESS OTHERWISE SPECIFIED	.XX:±N/A .XXX:±N/A ANGULAR:±N/A	C SIZE	DRAWING NUMBER 1147583
DO NOT SCALE DRAWING		ENGR: JOHN VAN SCOY DWN: JASON DANNER	SHT. 2 OF 4

**DIMENSIONS IN INCHES
THIRD ANGLE PROJECTION**



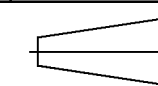
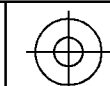
EXPRESS EXIT 2X4
INSTALLATION
4X6 STRAIGHT SECTION
SCALE 0.400



EXPRESS EXIT
2X4 INSTALLATION
4X4 STRAIGHT SECTION
SCALE 0.500



INFORMATION ON THIS DOCUMENT IS PROPRIETARY TO ADC AND SHALL NOT BE USED, COPIED, REPRODUCED OR DISCLOSED IN WHOLE OR IN PART WITHOUT WRITTEN CONSENT OF ADC.		TITLE KIT, BRACKET, RESTRAINING, L/R, FGS	
ALL DIMS AND TOLERANCES ARE INCHES UNLESS OTHERWISE SPECIFIED	.XX:±N/A .XXX:±N/A ANGULAR:±N/A	C SIZE	DRAWING NUMBER 1147583
DO NOT SCALE DRAWING	ENGR: JOHN VAN SCOY DWN: JASON DANNER	SHT. 3 OF 4	



DIMENSIONS IN INCHES
THIRD ANGLE PROJECTION

A

B

C

D

COVER EXPRESS EXIT 2X4

4X12 FLIP COVER
FGS-MEXC-E-F
REF

4X6 FLIP COVER
FGS-MEXC-E-B
REF

EXPRESS EXIT 2X4

4X4 FLIP COVER
FGS-MEXC-E-A
REF

EXPRESS EXIT 2X4

COVER OFF VIEW
FLIP COVERS NOT INCLUDED
IN KIT
SCALE 0.400

4X12 STRAIGHT
SECTION REF

BRACKET, EXPRESS EXIT 2X4

BRACKET, EXTENSION

SCREW, 6-32 X .25 (4)

QUICK KNOB ASSEMBLY (4)

EXPRESS EXIT 2X4
INSTALLATION
4X12 STRAIGHT SECTION
SCALE 0.400



INFORMATION ON THIS DOCUMENT IS PROPRIETARY TO ADC AND SHALL NOT BE USED, COPIED, REPRODUCED OR DISCLOSED IN WHOLE OR IN PART WITHOUT WRITTEN CONSENT OF ADC.

TITLE KIT, BRACKET, RESTRAINING, L/R, FGS

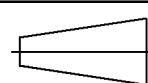
ALL DIMS AND TOLERANCES ARE INCHES UNLESS OTHERWISE SPECIFIED

DRAWING NUMBER 1147583

DO NOT SCALE DRAWING

ENGR: JOHN VAN SCOY
DWN: JASON DANNER

SHT. 4 OF 4



DIMENSIONS IN INCHES
THIRD ANGLE PROJECTION

A

B

C

1

2

3

4

1

2

3

4