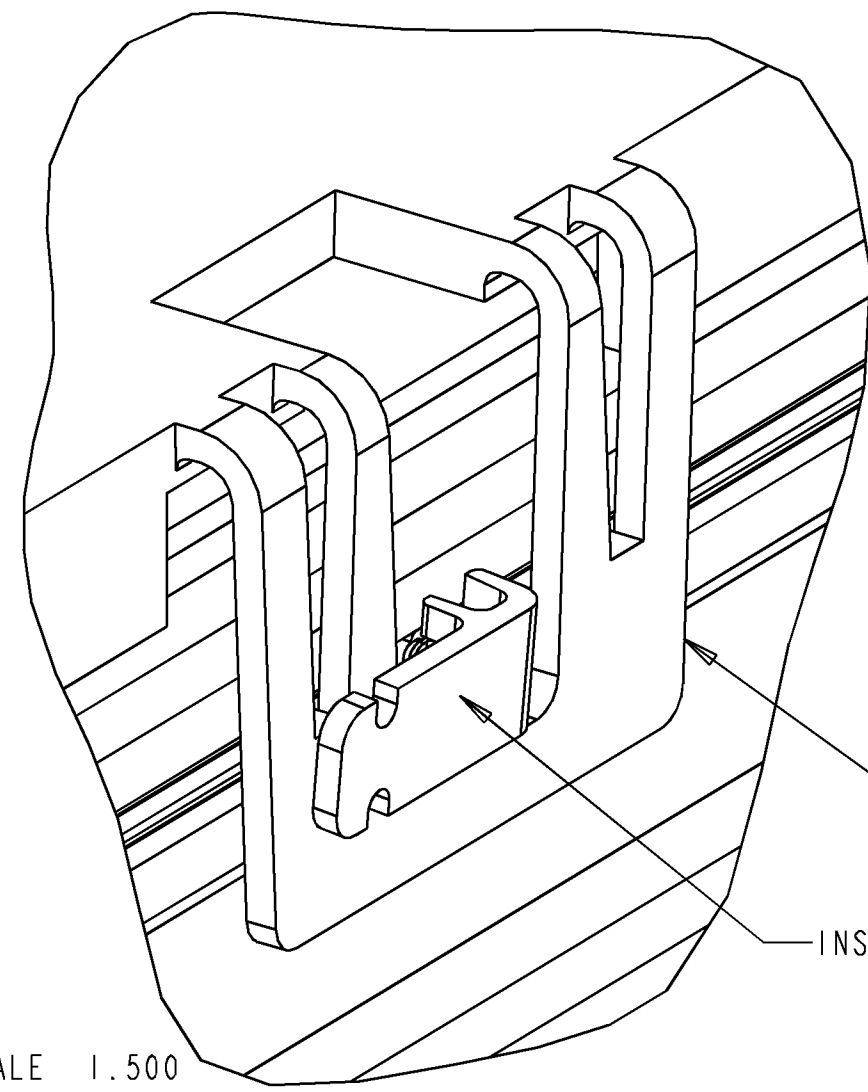
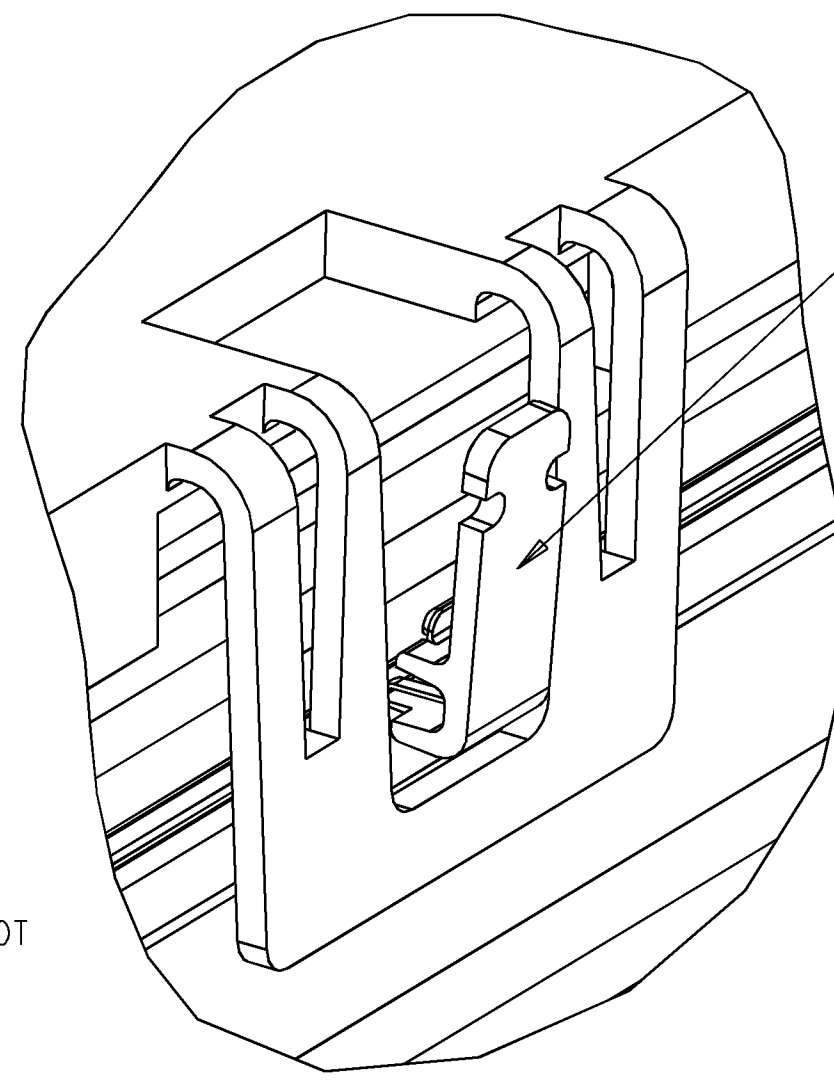


REV	MCO	DWN	DATE
B	20041412	CDZ	13-DEC-99
C	20238949	AED	30-APR-08

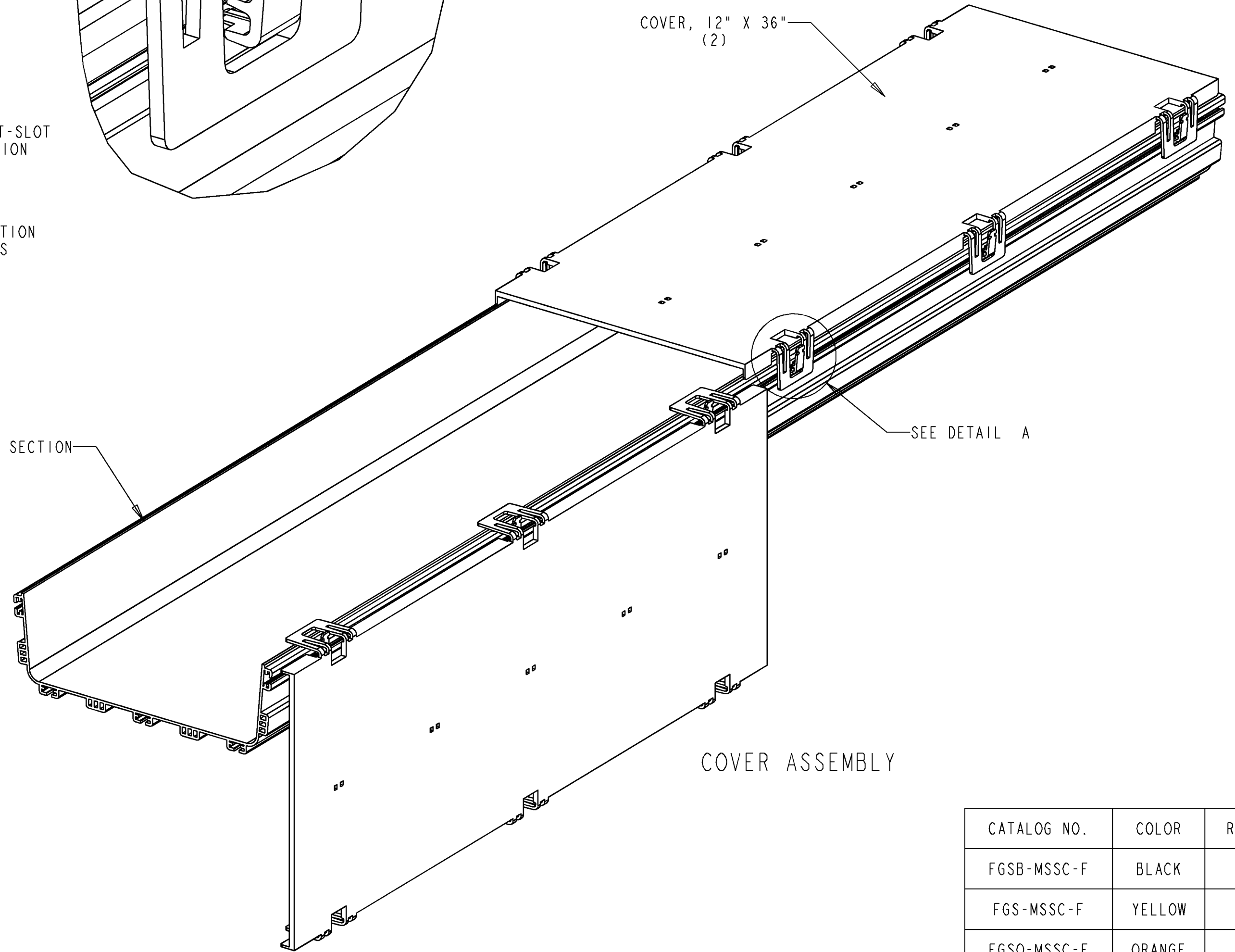


SCALE 1.500

DETAIL A
TETHER CLIP INSTALLATION
TYPICAL (6) PLACES
SCALE 1.500



COVER, 12" X 36"
(2)



12" FGS STRAIGHT SECTION
REF

SEE DETAIL A

COVER ASSEMBLY

PARTS LIST	
DESCRIPTION	QTY
COVER, 12" X 36"	2
CLIP, TETHER	6
CORD, TETHER	6

ASSEMBLY INSTRUCTIONS: (USING TETHER CORDS - OPTIONAL)

1. PLACE COVER ON FGS STRAIGHT SECTION. ASSEMBLE TETHER CLIPS SUCH THAT THEY ARE LOCATED IN THE OPENINGS OF THE SIDE LATCHES ON THE COVER (SEE DETAIL A). REMOVE COVER AND ASSEMBLE TETHER CORD TO COVER AND TETHER CLIP BY STRETCHING CORD END OVER AND INTO NOTCHES PROVIDED (SEE DETAIL B). REASSEMBLE COVER.
2. WHEN THE COVER IS REMOVED IT MAY BE HOOKED ONTO THE EDGE OF THE FGS STRAIGHT SECTION (DEPENDING ON MOUNTING BRACKET CONFIGURATION).

CATALOG NO.	COLOR	REV
FGSB-MSSC-F	BLACK	A
FGS-MSSC-F	YELLOW	B
FGSO-MSSC-F	ORANGE	C



INFORMATION ON THIS DOCUMENT IS PROPRIETARY TO ADC AND SHALL NOT BE USED, COPIED, REPRODUCED OR DISCLOSED IN WHOLE OR IN PART WITHOUT WRITTEN CONSENT OF ADC.
ALL DIMS AND TOLERANCES .XX:±N/A ARE INCHES UNLESS .XXX:±N/A OTHERWISE SPECIFIED ANGULAR:±N/A

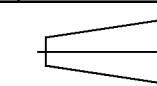
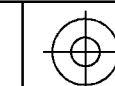
DO NOT SCALE DRAWING

TITLE
COVER, STR, 12 X 72
INSTALLATION DWG

DRAWING NUMBER
1058294

ENGR: T. HAATAJA
DWN: T. HAATAJA

SHT. 1 OF 2



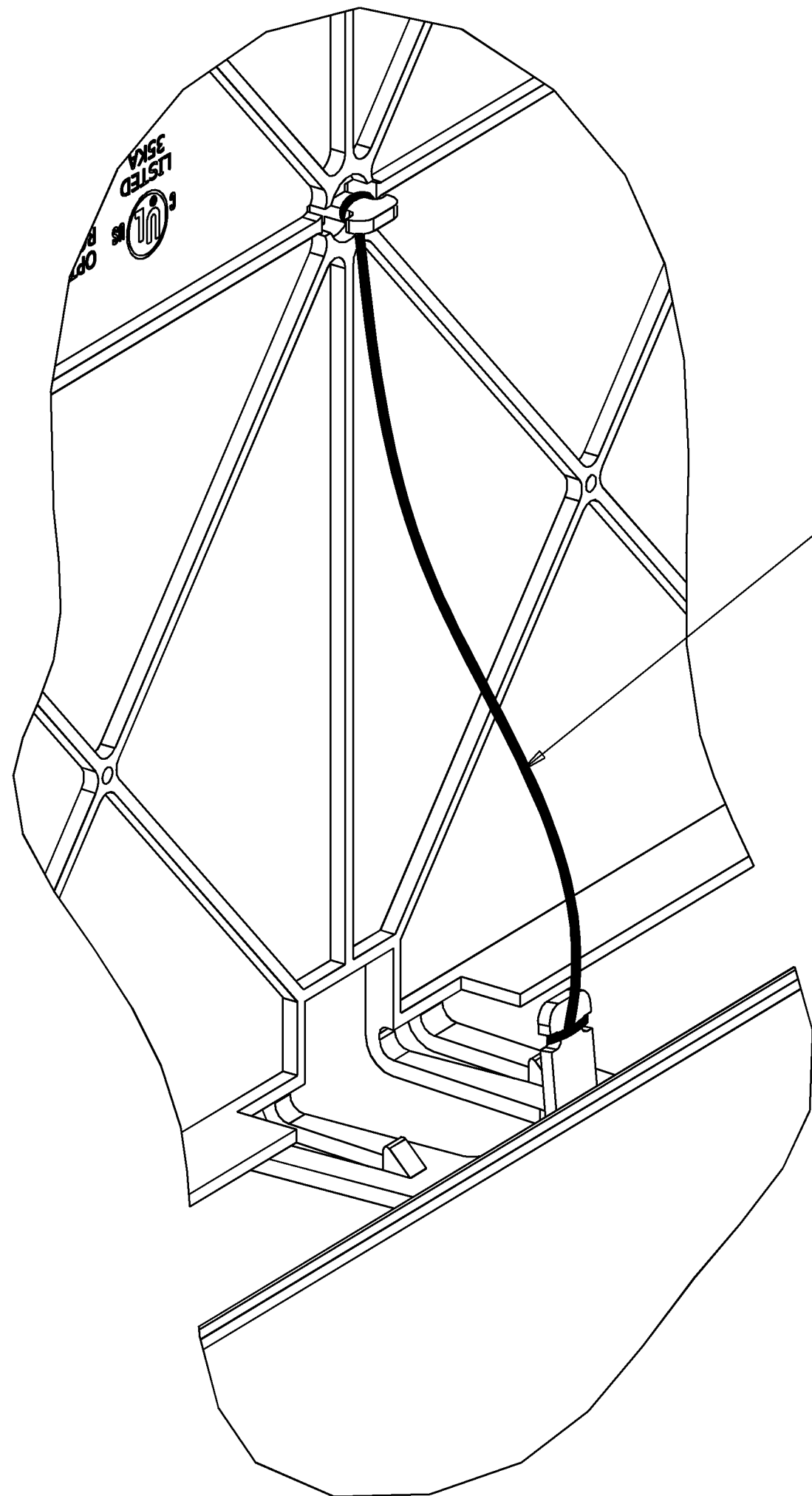
DIMENSIONS IN INCHES
THIRD ANGLE PROJECTION

A

B

C

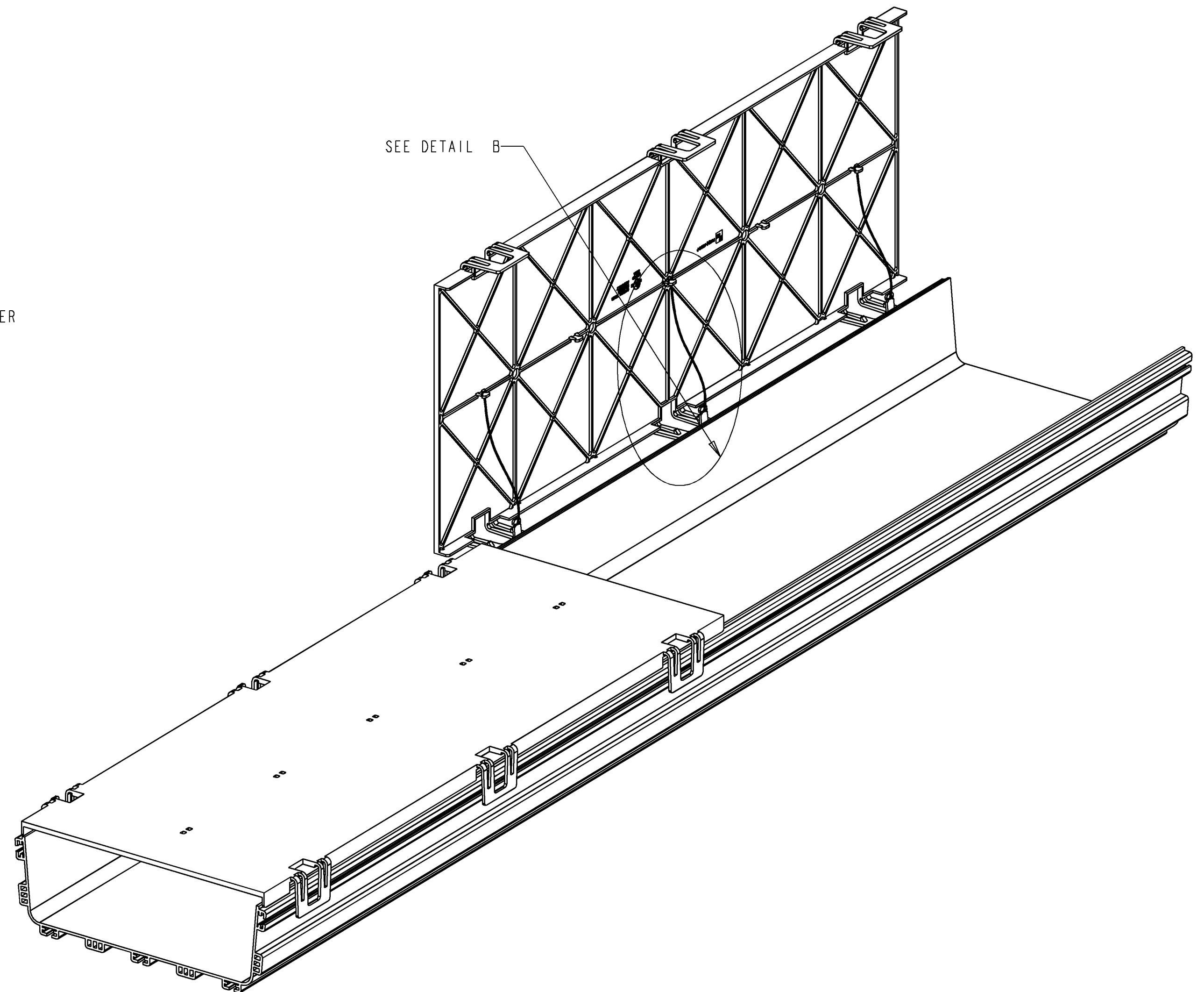
D



TETHER

DETAIL B
 TETHER CORD ASSEMBLY
 TYP (6) PLACES
 SCALE 1.000

SEE DETAIL B



INFORMATION ON THIS DOCUMENT IS PROPRIETARY TO ADC AND SHALL NOT BE USED, COPIED, REPRODUCED OR DISCLOSED IN WHOLE OR IN PART WITHOUT WRITTEN CONSENT OF ADC.

ALL DIMS AND TOLERANCES .XX:±N/A ARE INCHES UNLESS .XXX:±N/A OTHERWISE SPECIFIED ANGULAR:±N/A

DO NOT SCALE DRAWING

TITLE COVER, STR, 12 X 72
 INSTALLATION DWG

C SIZE	DRAWING NUMBER 1058294	C REV
-----------	---------------------------	----------

ENGR: T. HAATAJA
 DWN: T. HAATAJA

SHT. 2 OF 2



**DIMENSIONS IN INCHES
 THIRD ANGLE PROJECTION**

A

B

C