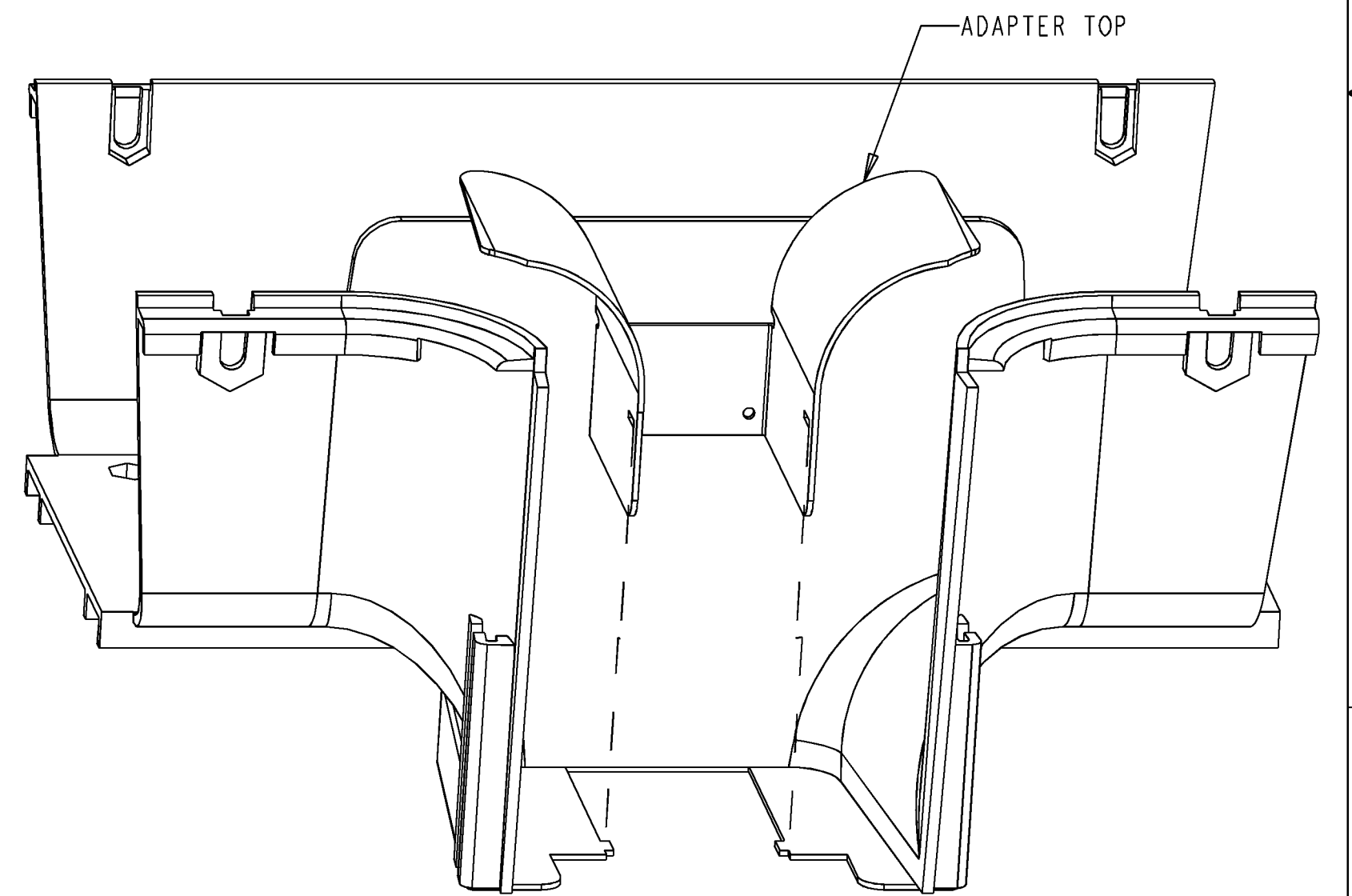
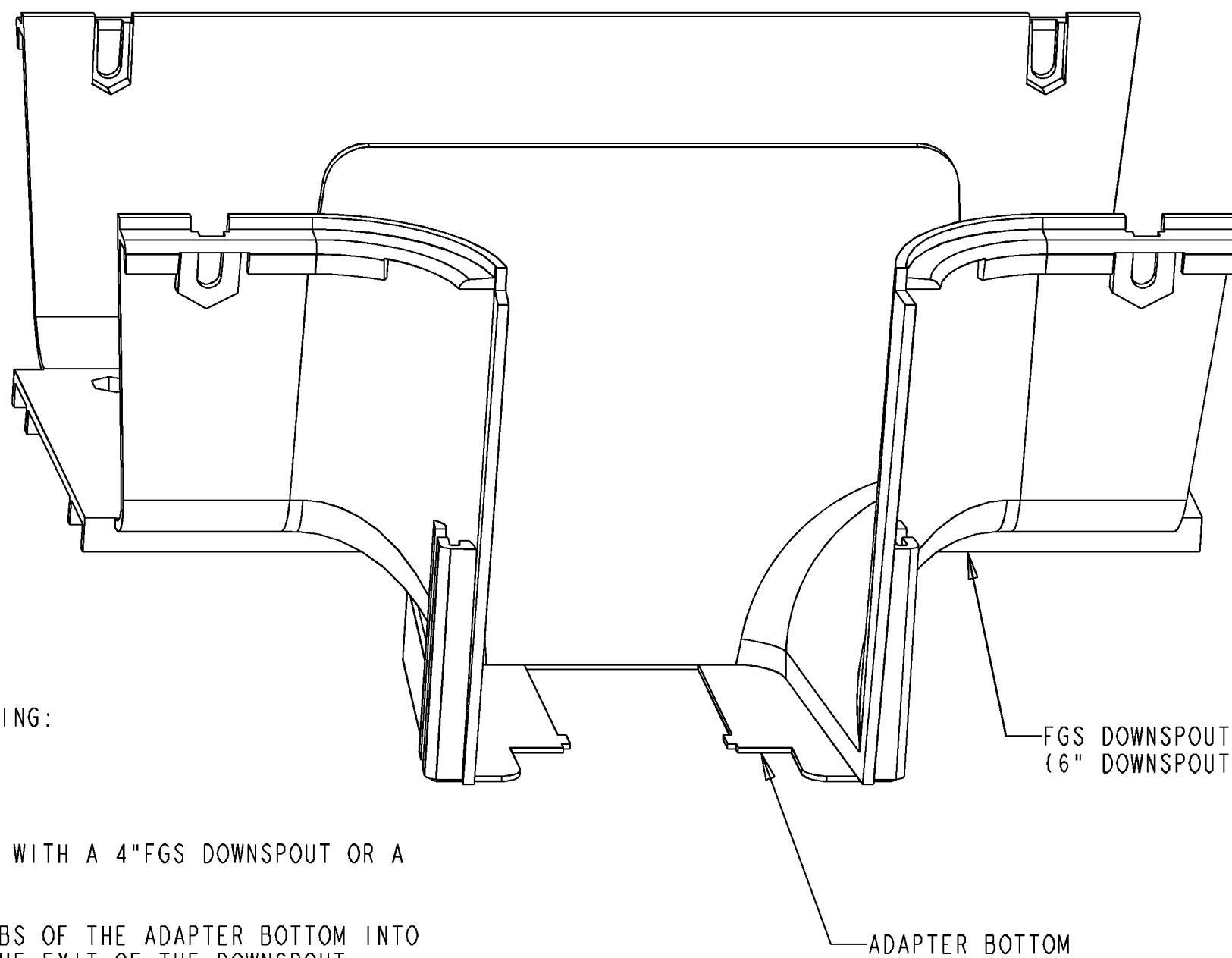
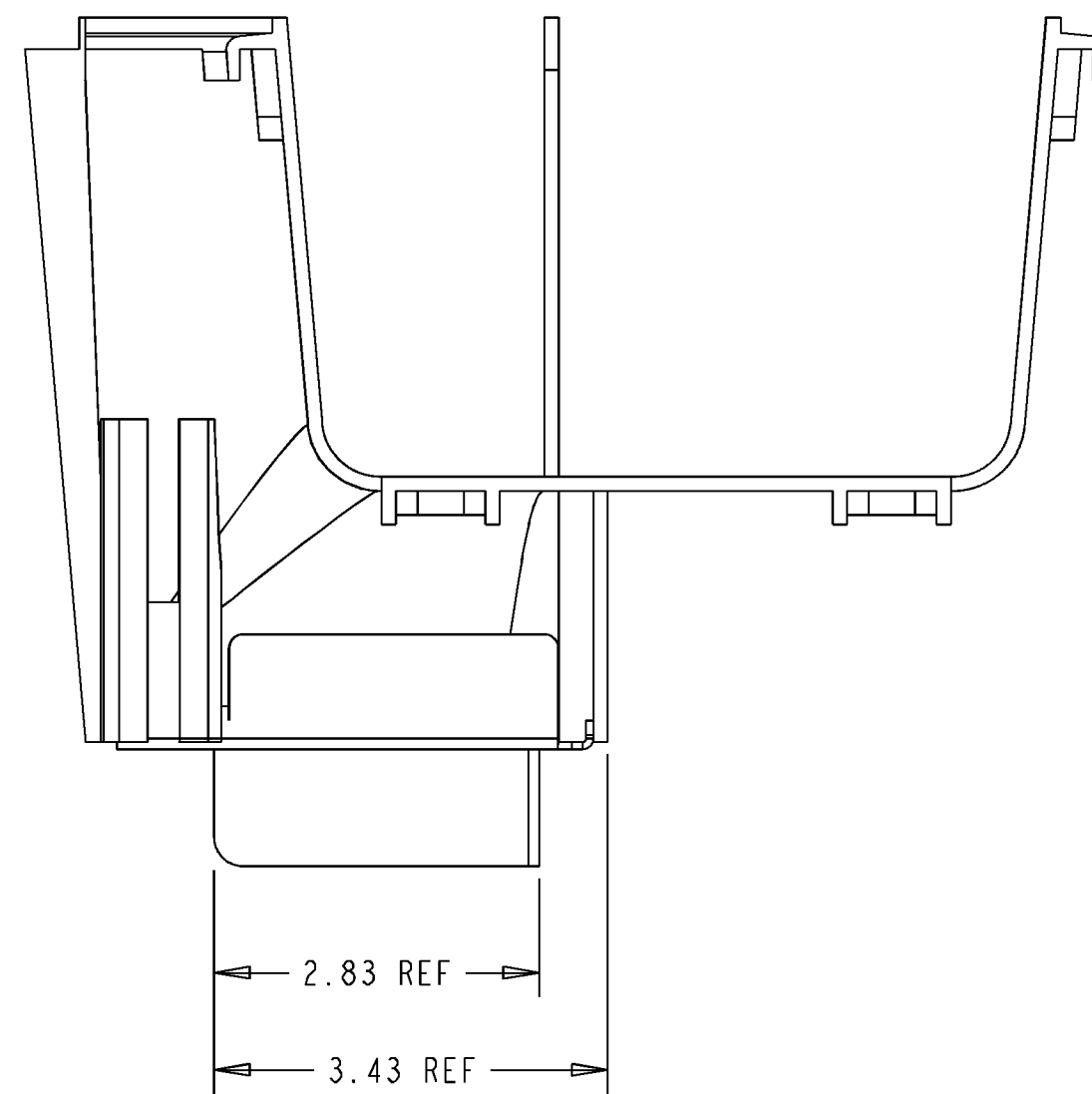
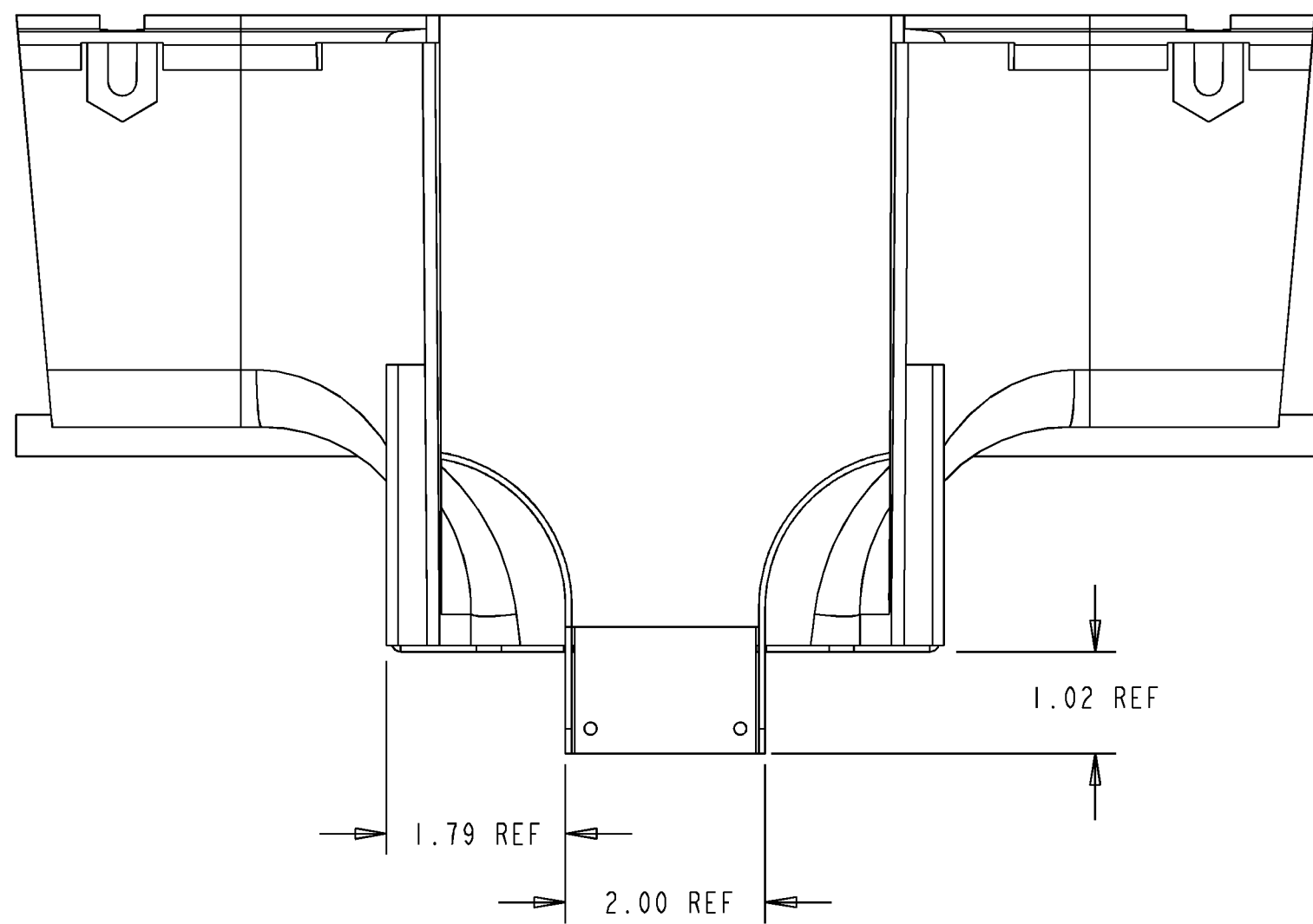


REV	ECO	DWN	DATE
A	20051745	CDZ	31-MAY-00
-	-----	---	-----



NOTES:

- KIT INCLUDES THE FOLLOWING:
 (1) ADAPTER TOP
 (1) ADAPTER BOTTOM
- ALL NOTES APPLY FOR USE WITH A 4"FGS DOWNSPOUT OR A 6" FGS DOWNSPOUT.
- FULLY INSERT THE (4) TABS OF THE ADAPTER BOTTOM INTO THE (4) T-CHANNELS ON THE EXIT OF THE DOWNSPOUT.
- INSERT THE ADAPTER TOP, FROM THE TOP OF THE DOWNSPOUT, AS SHOWN, INTO THE EXIT OF THE DOWNSPOUT. ENSURE THE FLAT WALL OF THE ADAPTER TOP IS ORIENTED TOWARDS THE BACK WALL OF THE EXIT OF THE DOWNSPOUT.
- APPLY SLIGHT PRESSURE TO THE SIDE WALLS OF THE ADAPTER TOP, TO ENSURE THE PART FITS INSIDE THE ADAPTER BOTTOM.
- SNAP THE RECTANGULAR TABS (ON THE INSIDE OF THE ADAPTER BOTTOM), INTO THE RECTANGULAR HOLES ON THE ADAPTER TOP.

CATALOG#: FGS-HDSI-AB



INFORMATION ON THIS DOCUMENT IS PROPRIETARY TO ADC AND SHALL NOT BE USED, COPIED, REPRODUCED OR DISCLOSED IN WHOLE OR IN PART WITHOUT WRITTEN CONSENT OF ADC.

TITLE
 ADAPTER, 4"/6"FGS
 DOWNSPOUT TO 2" FGS

TOLERANCE UNLESS OTHERWISE SPECIFIED .XX:±.02 .XXX:±.010 ANGULAR:±2°

C DRAWING NUMBER
 SIZE 1112182 A REV

THIRD ANGLE PROJECTION

DO NOT SCALE DRAWING

ENGR: KEVIN HRUBY
 DWN: CRAIG ZELASKO

SHT. 1 OF 1