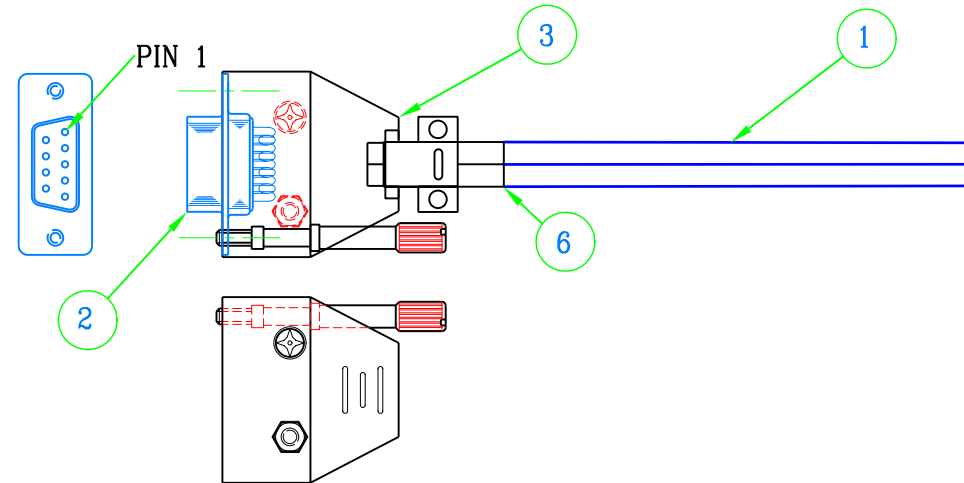
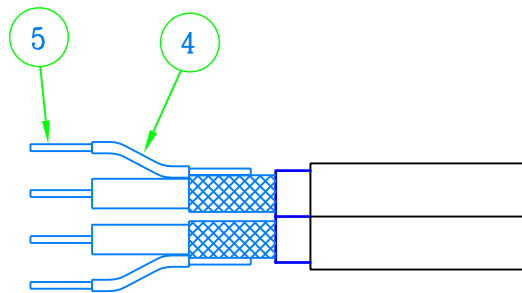


BT3002 to 9 Way D-Type

102-803



WIRE LIST

| CONNECTOR 9 WAY D-TYPE | |
|------------------------|--------------------|
| PIN No | WIRE COLOUR |
| 2 | CENTRE CORE |
| 6 | SCREEN (LINK) WIRE |
| } CABLE 1 | |
| 4 | CENTRE CORE |
| 8 | SCREEN (LINK) WIRE |
| } CABLE 2 | |

PARTS LIST

| ITEM No | FCA | DESCRIPTION | QTY |
|---------|-----|-----------------------------|------|
| 1 | | CABLE BT3002 SINGLE CORE | A/R |
| 2 | | 9 WAY D TYPE SOLDER SOCKET. | 1 |
| 3 | | 9 WAY D TYPE PLASTIC COVER | 1 |
| 4 | | WHITE LINK WIRE | 25mm |
| 5 | | HEATSHRINK CLEAR | A/R |
| 6 | | HEATSHRINK BLACK | 20mm |