

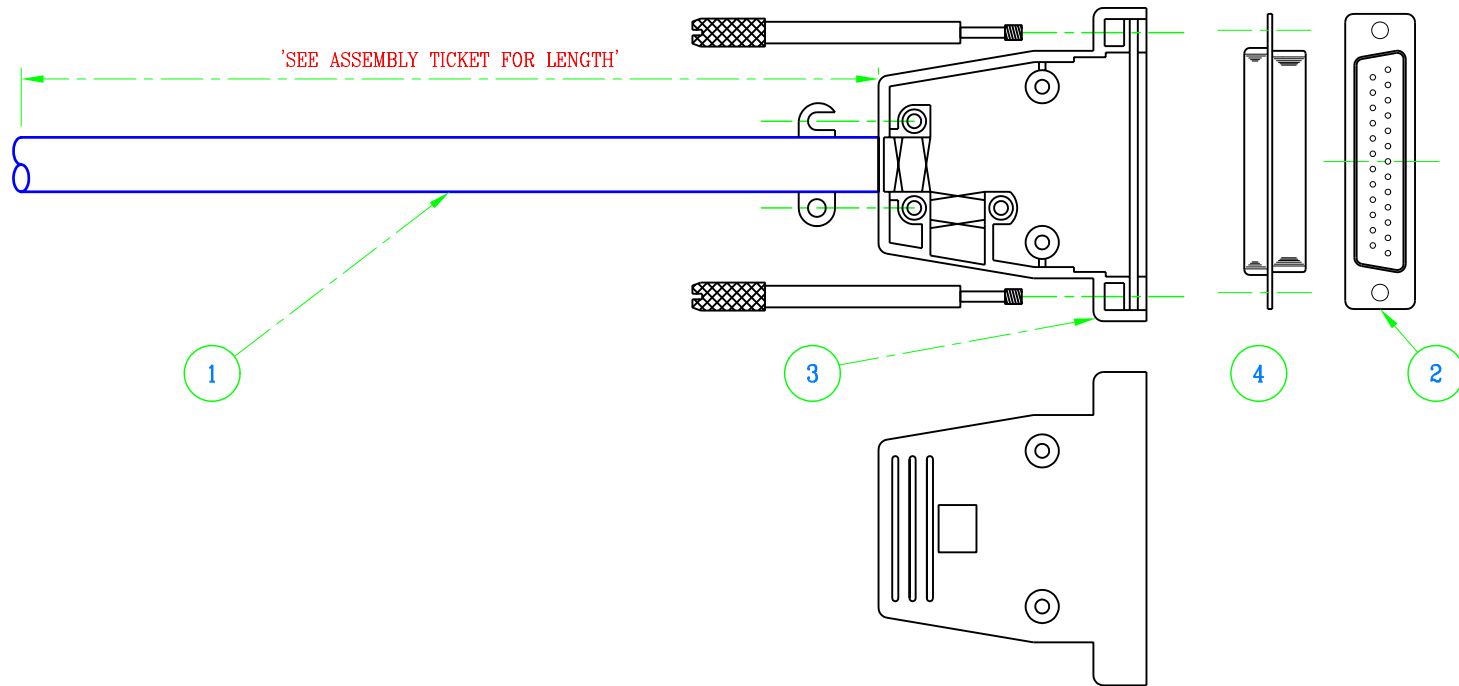
# 120 ohm Traffic Access Module (TN-1X/S) Female

148-142

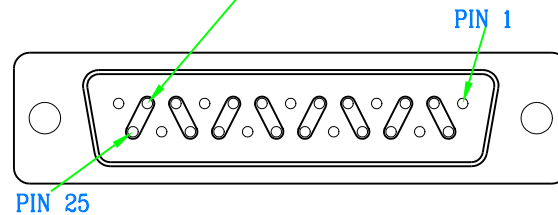


## WIRE LIST

25 WAY D-TYPE FEMALE	
PIN No	WIRE COLOUR
1	DRAIN WIRE
2	WHITE/BLUE
3	WHITE/ORANGE
4	N/C
5	WHITE/GREEN
6	WHITE/BROWN
7	N/C
8	WHITE/GREY
9	RED/BLUE
10	N/C
11	RED/ORANGE
12	RED/GREEN
13	N/C
14	BLUE/WHITE
15	N/C
16	ORANGE/WHITE
17	GREEN/WHITE
18	N/C
19	BROWN/WHITE
20	GREY/WHITE
21	N/C
22	BLUE/RED
23	ORANGE/RED
24	N/C
25	GREEN/RED



REAR VIEW OF FEMALE D-TYPE SHOWING TWISTED PAIRS



## PARTS LIST

ITEM No	FCA	DESCRIPTION	QTY
1		CABLE 25 PAIR 120 Ohm.	A/R
2		25 WAY D-TYPE FEMALE.	1
3		25 WAY D PLASTIC COVER.	1
4		CRIMP PINS FOR D-TYPE.	1