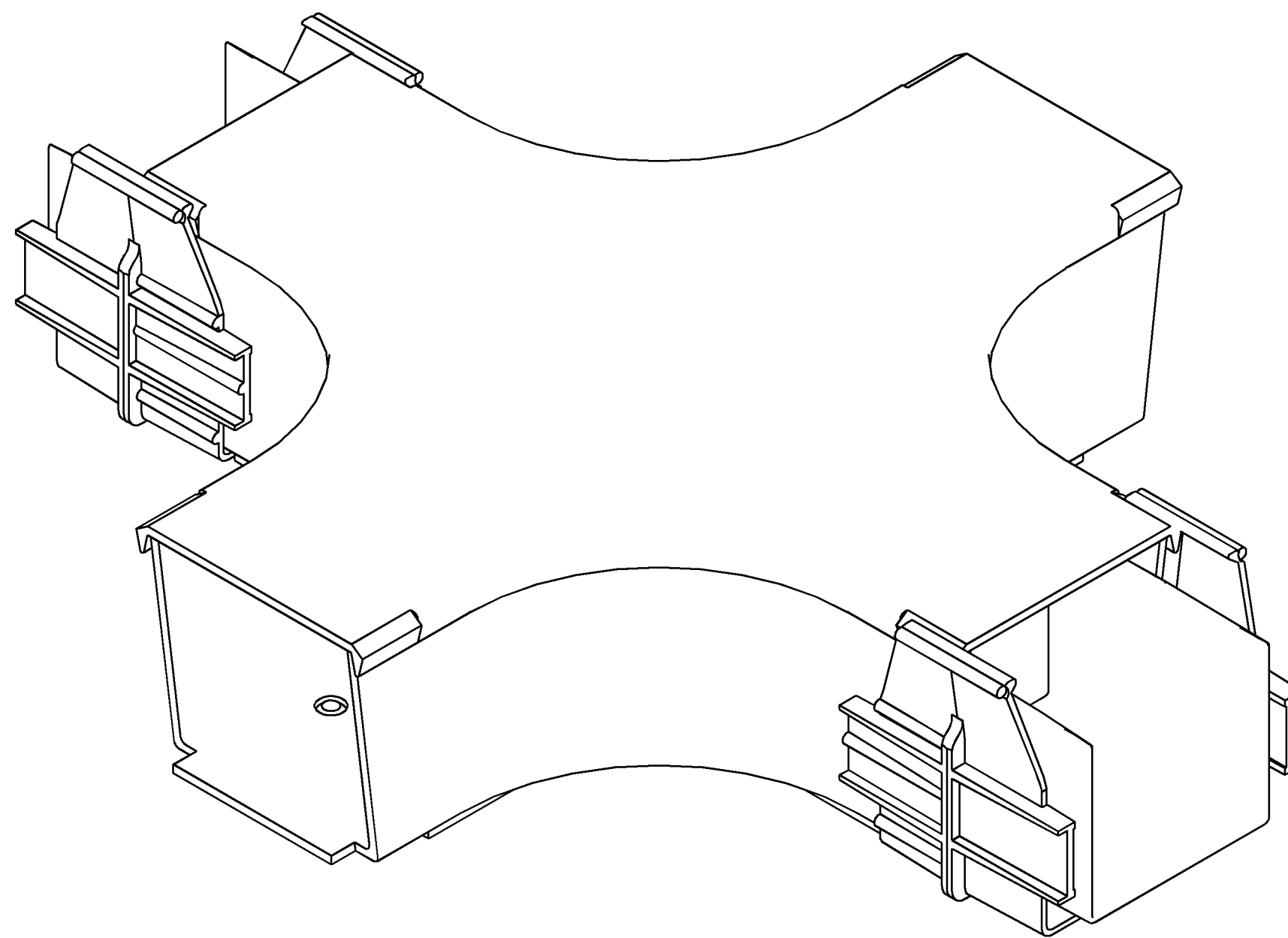
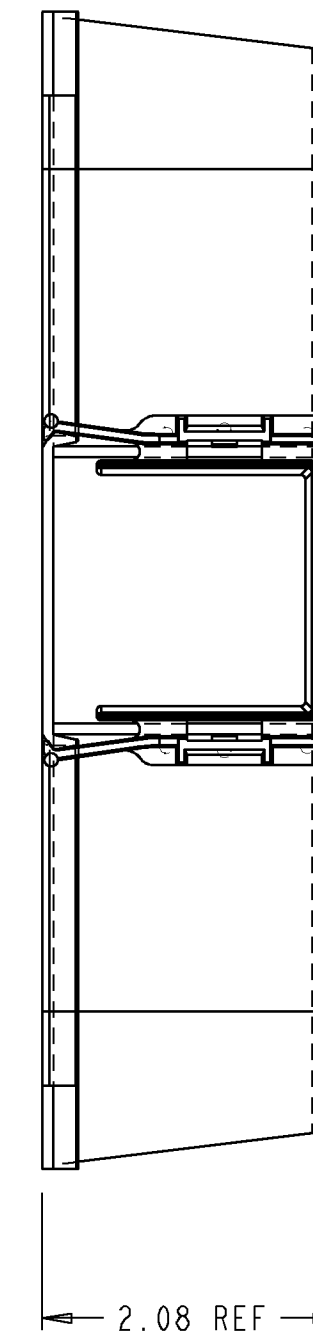
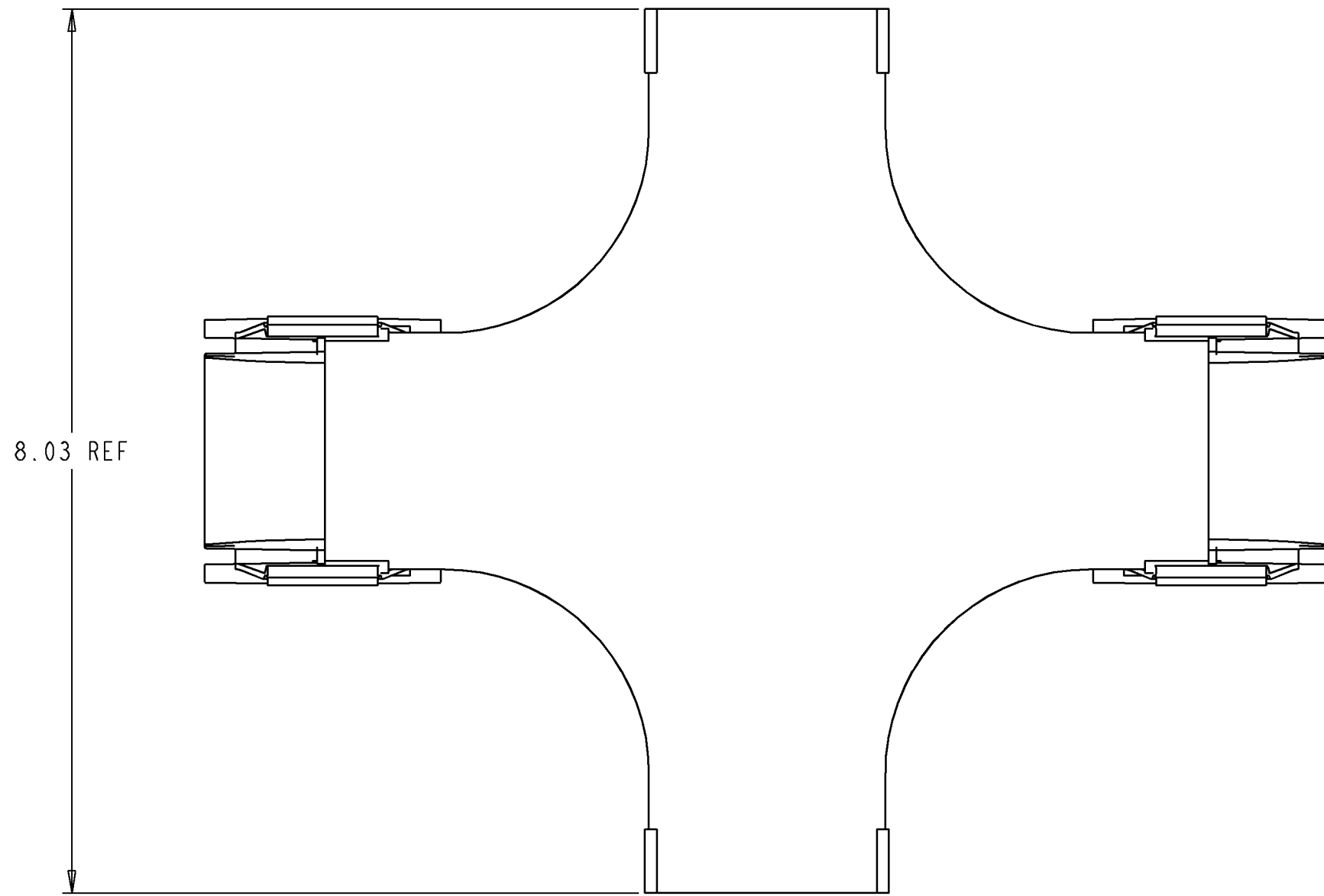


REV	MCO	DWN	DATE
A	20025771	JJB	15-FEB-00
B	20239114	AED	01-MAY-08



SCALE 1.000

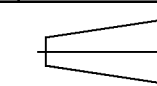
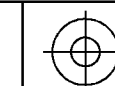
NOTES:

1. ALL NON METALLIC COMPONENTS OF THIS ASSEMBLY ARE SELF EXTINGUISHING WITH A UL FLAMMABILITY RATING OF 94 V-0.

FGSB-MHXP-C	BLACK
FGSO-MHXP-C	ORANGE
FGS-MHXP-C	YELLOW
CATALOG NO.	COLOR



INFORMATION ON THIS DOCUMENT IS PROPRIETARY TO ADC AND SHALL NOT BE USED, COPIED, REPRODUCED, OR DISCLOSED IN WHOLE OR IN PART WITHOUT WRITTEN CONSENT OF ADC.		TITLE HORIZONTAL 2X2 CROSS INSTALLATION DRAWING	
ALL DIMS AND TOLERANCES ARE INCHES UNLESS OTHERWISE SPECIFIED	.XX:±N/A .XXX:±N/A ANGULAR:±N/A	C SIZE	DRAWING NUMBER 1095669
DO NOT SCALE DRAWING		ENGR: J. BRANDT DWN: J. BRANDT	B REV SHT. 1 OF 1



**DIMENSIONS IN INCHES  
THIRD ANGLE PROJECTION**