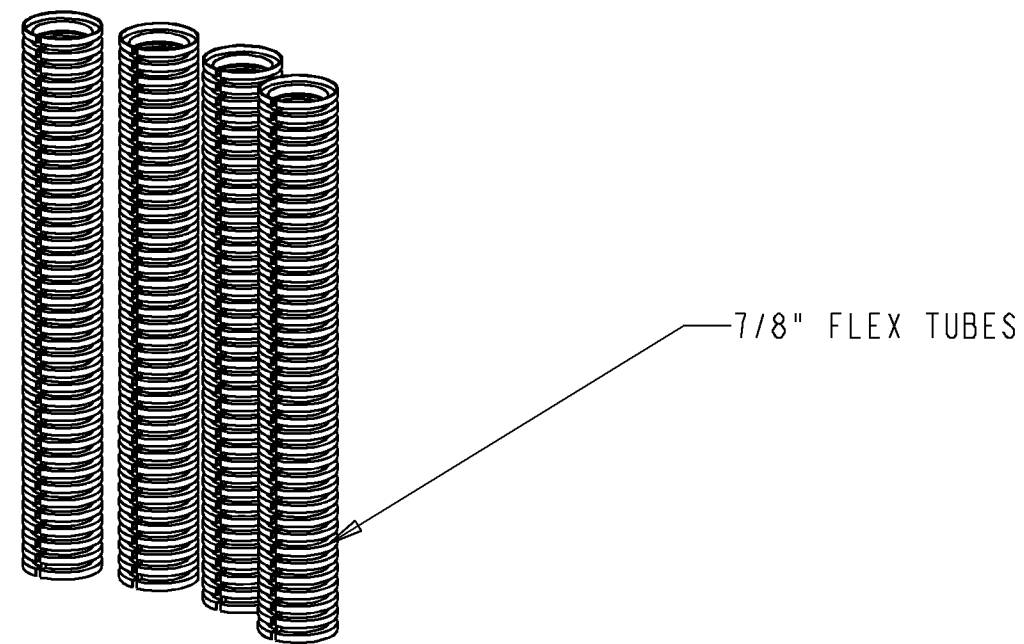
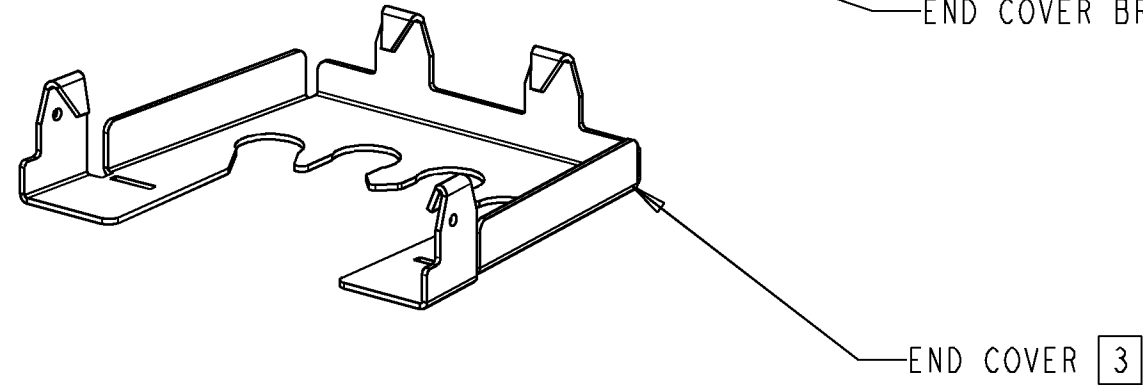
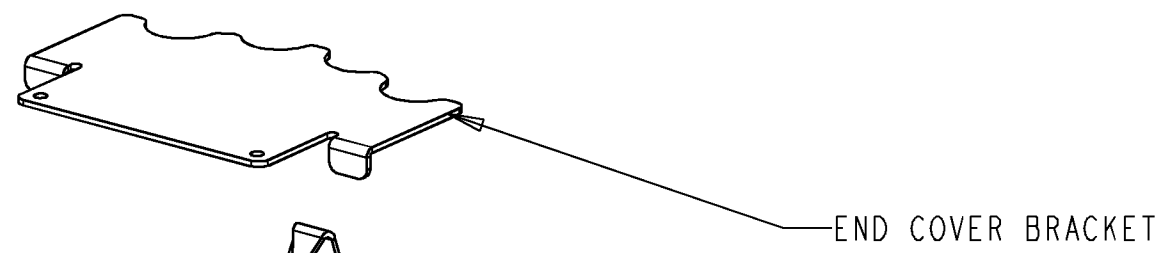
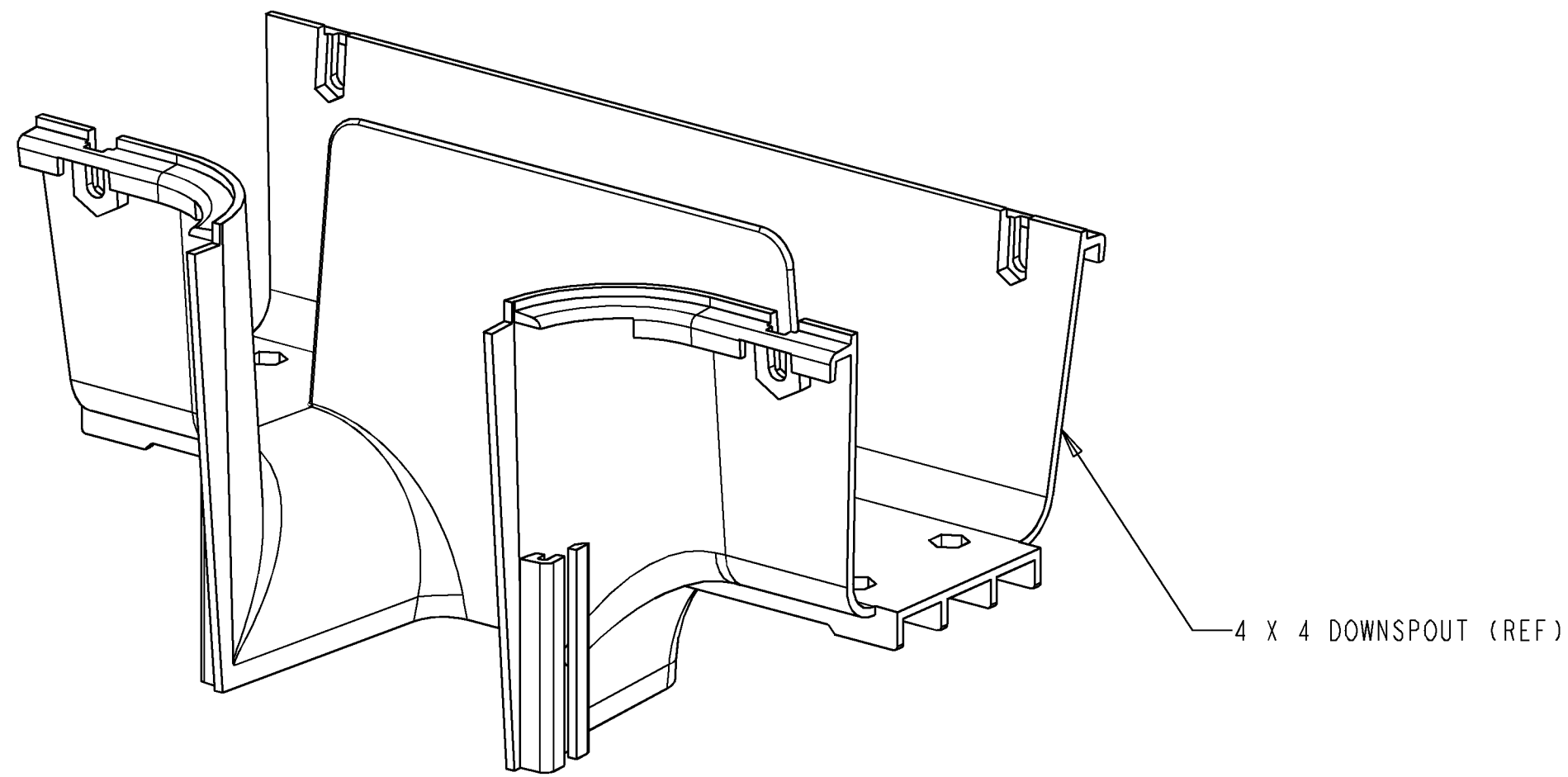


REV	MCO	DWN	DATE
F	20275532	GCC	22-OCT-09
G	20296097	EEG	04-NOV-10



NOTES:

1. ITEMS INCLUDED IN KIT ARE:

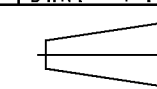
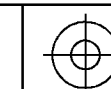
- (1) 4" X 4 7/8" END COVER
- (4) (SEE TAB) FLEX HOSES
- (4) FLEX HOSE CLAMPS
- (8) 6-32 X 3/8 PH SCREWS
- (8) 6-32 HEX NUTS
- (8) STAR LOCK WASHERS
- (1) END COVER BRACKET

2. KIT MAY BE USED ON STRAIGHT SECTIONS OR FITTINGS.

FGSB-KT07-A4-15F	15 FT	BLACK
FGSB-KT07-A4-10F	10 FT	BLACK
FGS-KT07-A4-10F	10 FT	YELLOW
FGS-KT07-A4-15F	15 FT	YELLOW
FGS0-KT07-A4-5F	5 FT	ORANGE
FGS-KT07-A4-5F	5 FT	YELLOW
FGSB-KT07-A4-5F	5 FT	BLACK
CATALOG NO.	HOSE LENGTH	COLOR



<small>INFORMATION ON THIS DOCUMENT IS PROPRIETARY TO ADC AND SHALL NOT BE USED, COPIED, REPRODUCED OR DISCLOSED IN WHOLE OR IN PART WITHOUT WRITTEN CONSENT OF ADC.</small> <small>ALL DIMS AND TOLERANCES ARE INCHES UNLESS OTHERWISE SPECIFIED</small> <small>.XX:±.02</small> <small>.XXX:±.010</small> <small>ANGULAR:±2</small>	<small>TITLE</small> 4x4 4 7/8" HOSE ADAPTER KIT	
	<small>SIZE</small> C	<small>DRAWING NUMBER</small> 1158701
<small>DO NOT SCALE DRAWING</small>	<small>ENGR: D. DERKS</small> <small>DWN: P. KELTGEN</small>	<small>SHT. 1 OF 1</small>



**DIMENSIONS IN INCHES
THIRD ANGLE PROJECTION**