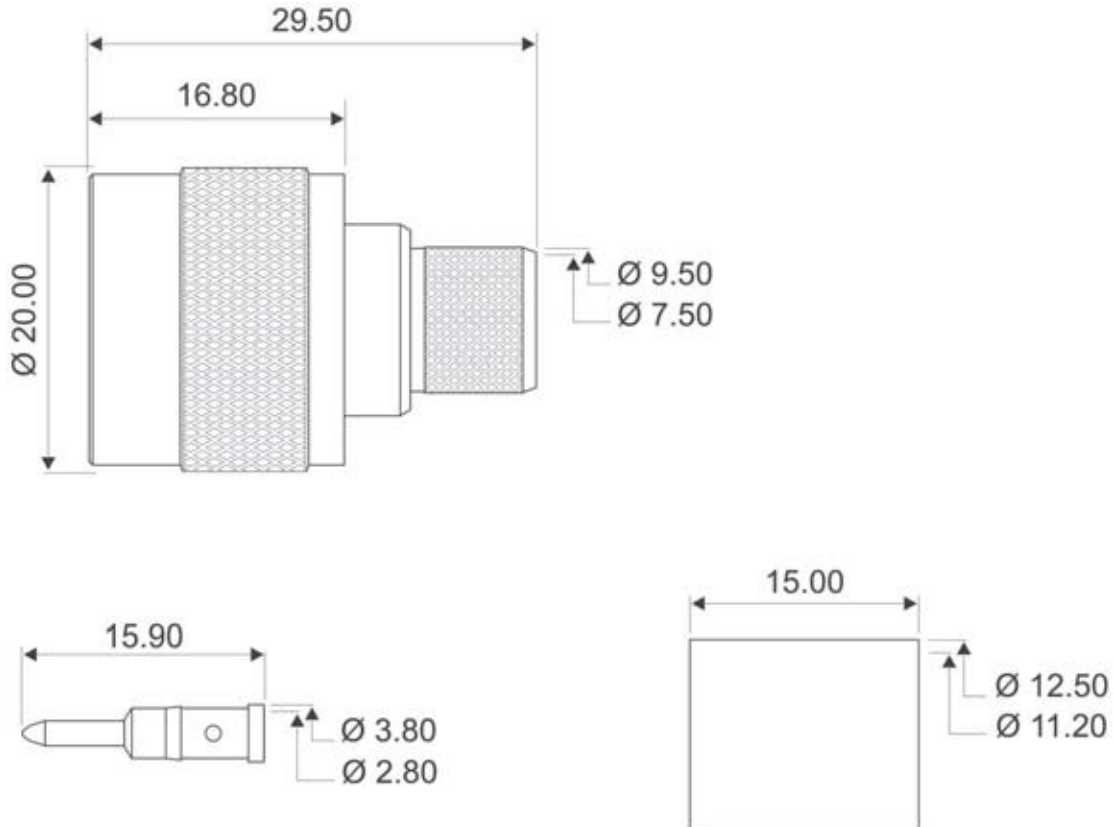


### Description

N Type Crimp Plug, RA519, LMR400

All dimensions in mm



### ELECTRICAL

Impedance

50 ohms

Frequency

DC to 6.0 GHz

Working Voltage

1500V RMS Maximum

Dielectric Withstanding Voltage

2500V RMS Maximum

### MECHANICAL / ENVIRONMENTAL

Durability

500 mating cycles

Temperature Range

-65 to +165 Deg C

### MATERIALS

Body

Brass, Nickel plated

Pin

Brass, Gold plated

Ferrule

Brass, Nickel plated

Dielectric

PTFE