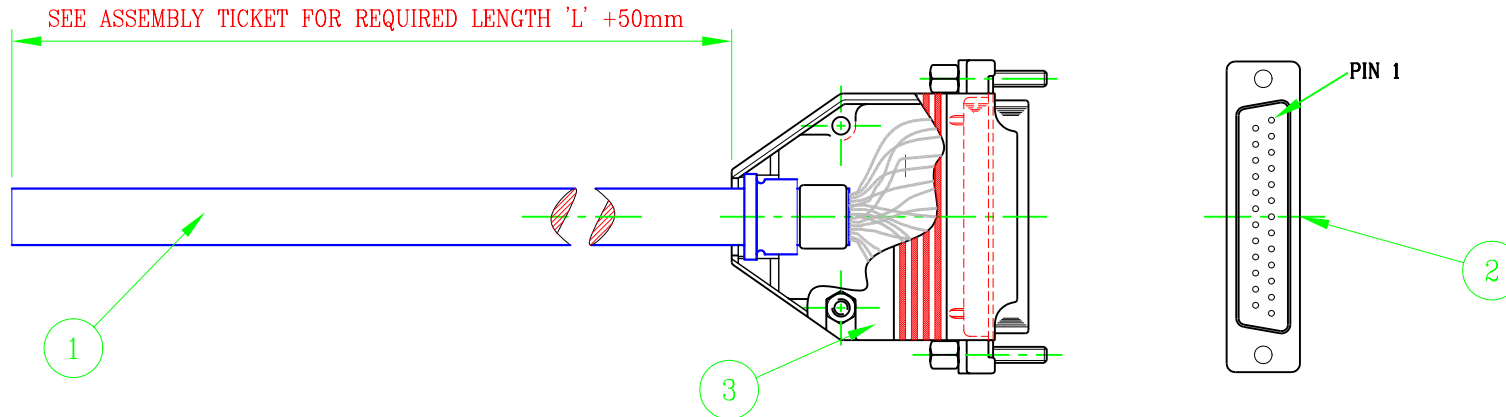


25 Way D Type Open Ended Using 25 Core Screened Cable

142-808



WIRE LIST
CONNECTOR 25WDM

PIN No	WIRE COLOUR
1	BLACK
14	WHITE
2	RED
15	GREEN
3	ORANGE
16	BLUE
4	WHITE/black
17	RED/black
5	GREEN/black
18	ORANGE/black
6	BLUE/black
19	BLACK/white
7	RED/white
20	GREEN/white
8	BLUE/white
21	BLACK/red
9	WHITE/red
22	ORANGE/red
10	BLUE/red
23	RED/green
11	ORANGE/green
24	BLACK/white/red
12	WHITE/black/red
25	RED/black/white
13	DRAIN WIRE

PARTS LIST

ITEM No	FCA	DESCRIPTION	QTY
1		25 CORE RS232 CABLE 7/0.2mm (24 AWG)	A/R
2		CONNECTOR 'D'TYPE 25w SOLDER PLUG.	1
3		COVER 25w 'D'TYPE PLASTIC WITH SCREWLOCKS	1
4		SLEEVE HEATSHRINK 10xø1.6mm CLEAR.	A/R

