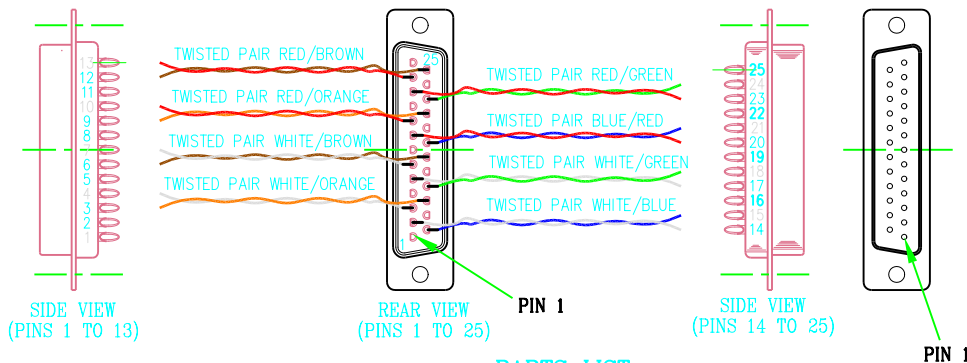
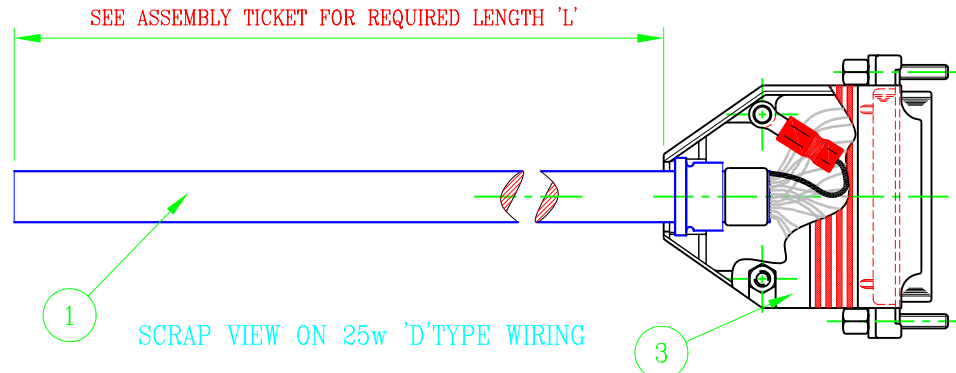


# SDH 10 Pair EMC Cable Assembly

148-119



### PARTS LIST

ITEM No	FCA	DESCRIPTION	QTY
1		CABLE 10 PAIR. BALANCE 120 $\Omega$ RAYDEX/CDT.	A/R
2		CONNECTOR 'D'TYPE 25w FEMALE SOLDER.	1
3		COVER 25w 'D'TYPE METAL WITH SCREWLOCKS.	1
4		SLEEVE HEATSHRINK AD.LND 10x $\phi$ 9.5mm.	1
5		TERMINAL RING TAG INSULATED RED.	1
6		SLEEVE HEATSHRINK 10x $\phi$ 1.6mm CLEAR.	16

WIRE LIST	
CONNECTOR 25w 'D'TYPE (FEMALE)	
PIN No	WIRE COLOUR
2	WHITE/BLUE } PAIR 1
14	BLUE/WHITE }
15	NOT CONNECTED
5	WHITE/GREEN } PAIR 3
17	GREEN/WHITE }
18	NOT CONNECTED
8	RED/BLUE } PAIR 5
20	BLUE/RED }
21	NOT CONNECTED
11	RED/GREEN } PAIR 7
23	GREEN/RED }
24	NOT CONNECTED
1	NOT CONNECTED
13	NOT CONNECTED
3	WHITE/ORANGE } PAIR 2
16	ORANGE/WHITE }
4	NOT CONNECTED
6	WHITE/BROWN } PAIR 4
19	BROWN/WHITE }
7	NOT CONNECTED
9	RED/ORANGE } PAIR 6
22	ORANGE/RED }
10	NOT CONNECTED
12	RED/BROWN } PAIR 8
25	BROWN/RED }

