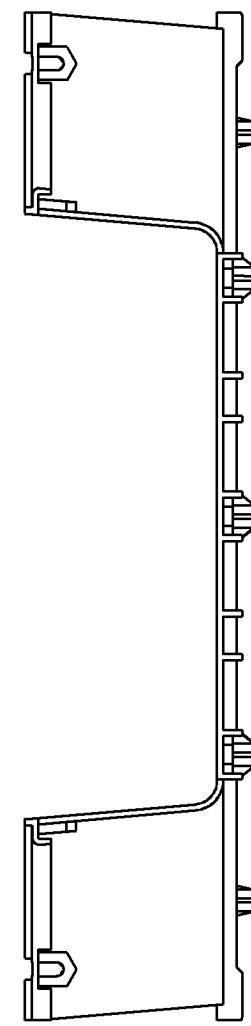
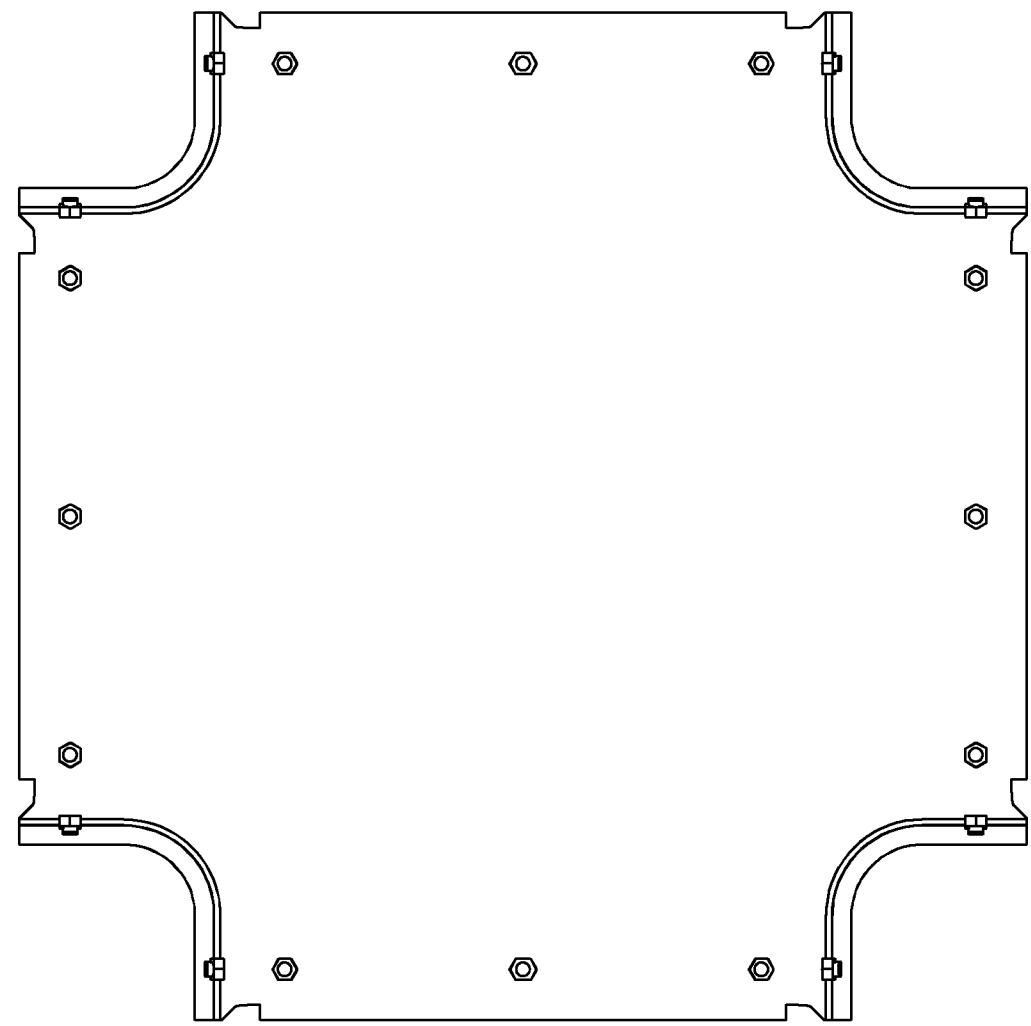
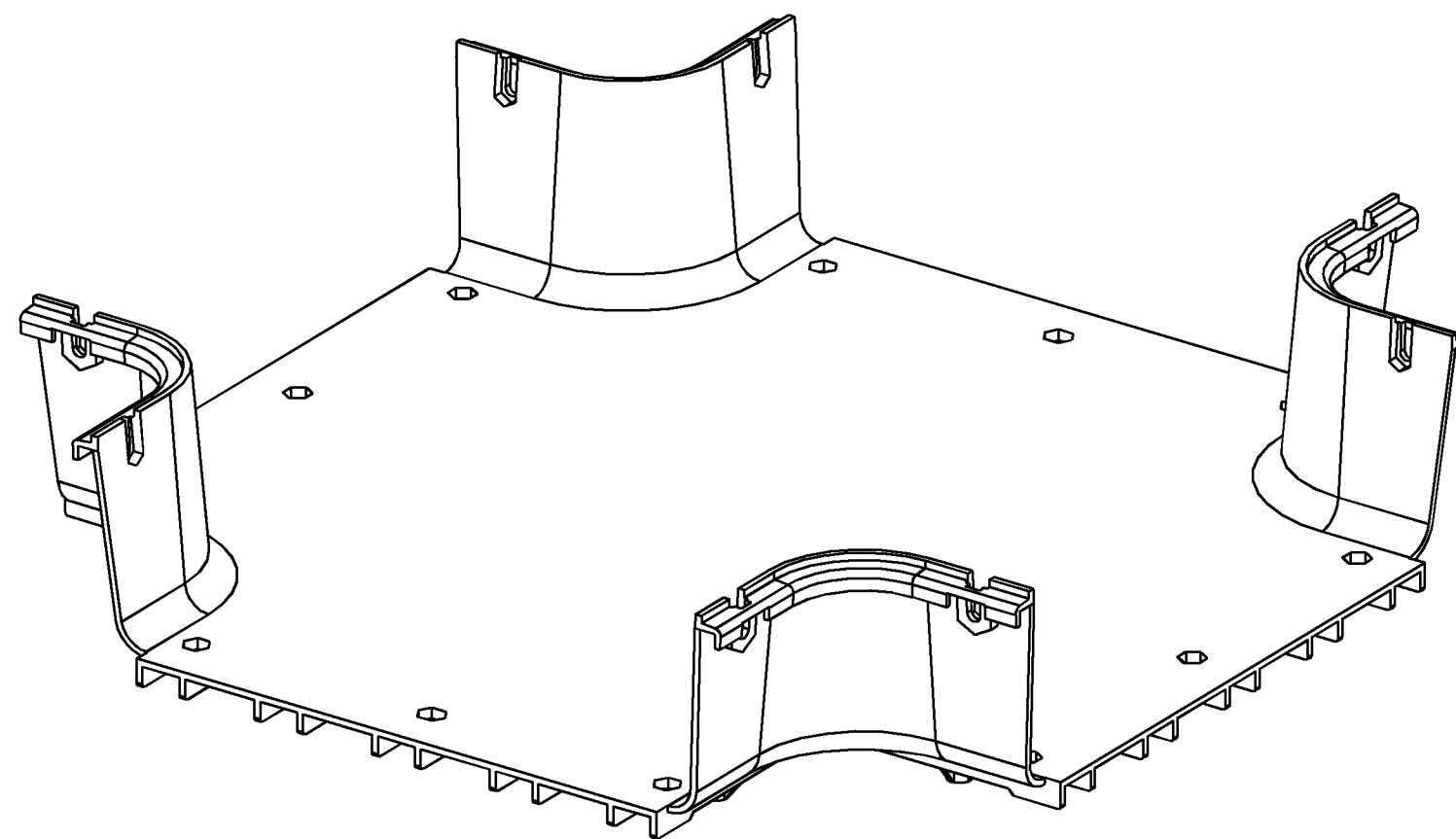
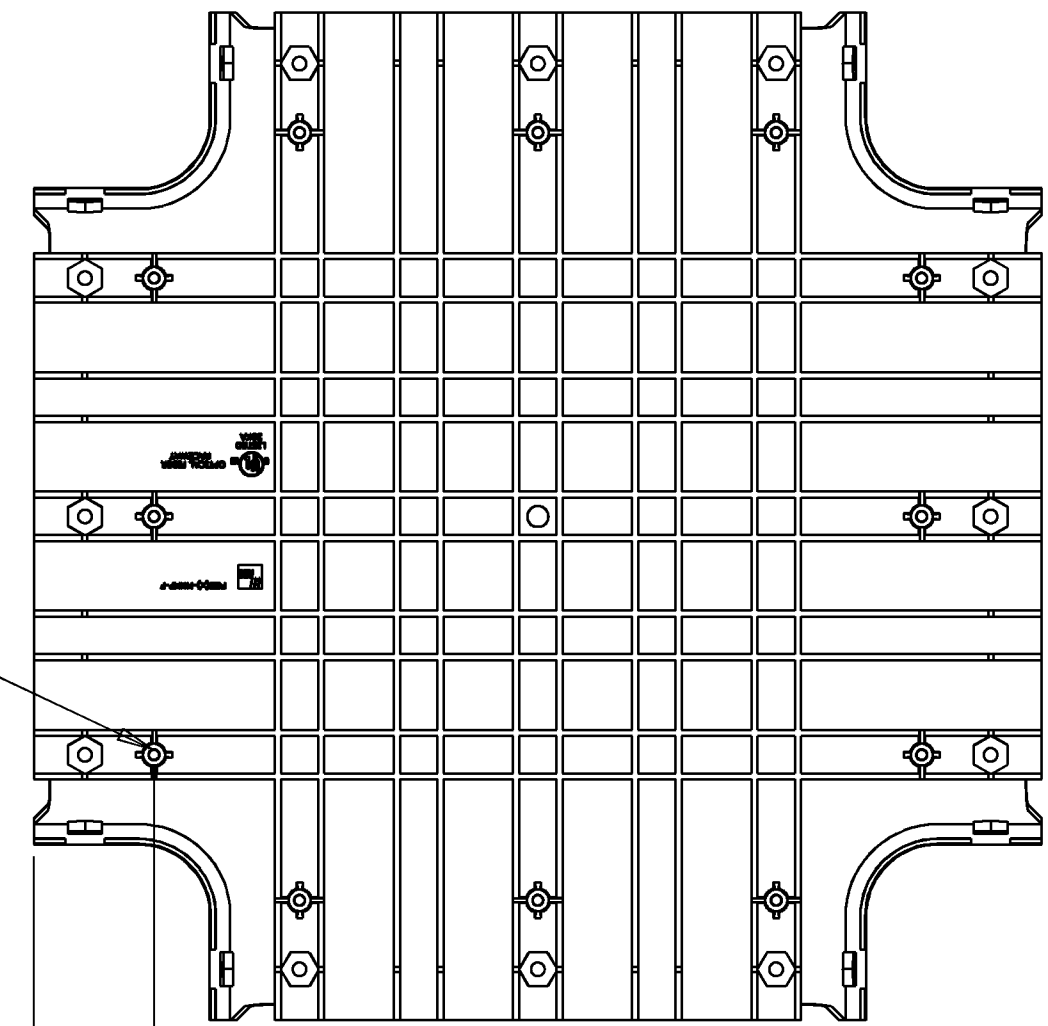


REV	MCO	DWN	DATE
A	20019792	TH	12/28/98
B	20238853	AED	28-APR-08



SUPPORT BRACKET  
MOUNTING HOLE (12)

2.50 REF



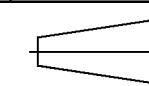
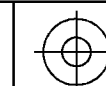
SCALE 0.310

NOTES:

1. MATERIAL IS SELF EXTINGUISHING WITH A UL 94 RATING OF V-0.

CATALOG NO.	COLOR
FGSB-MHXP-F	BLACK
FGS-MHXP-F	YELLOW
FGSO-MHXP-F	ORANGE

INFORMATION ON THIS DOCUMENT IS PROPRIETARY TO ADC AND SHALL NOT BE USED, COPIED, REPRODUCED OR DISCLOSED IN WHOLE OR IN PART WITHOUT WRITTEN CONSENT OF ADC.		TITLE CROSS, HORIZ, 4 X 12, FGS	
ALL DIMS AND TOLERANCES ARE INCHES UNLESS OTHERWISE SPECIFIED	.XX:±.03 .XXX:±.020 ANGULAR:±1°	C SIZE	DRAWING NUMBER 1044497
DO NOT SCALE DRAWING	ENGR: TIM HAATAJA DWN: TIM HAATAJA	SHT. 1 OF 1	



DIMENSIONS IN INCHES  
THIRD ANGLE PROJECTION