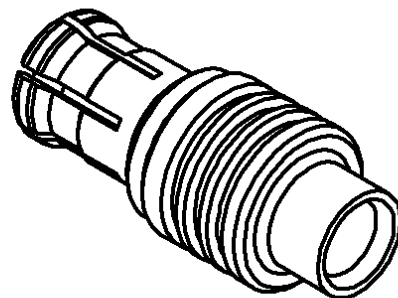
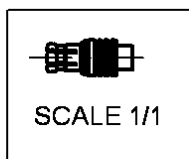
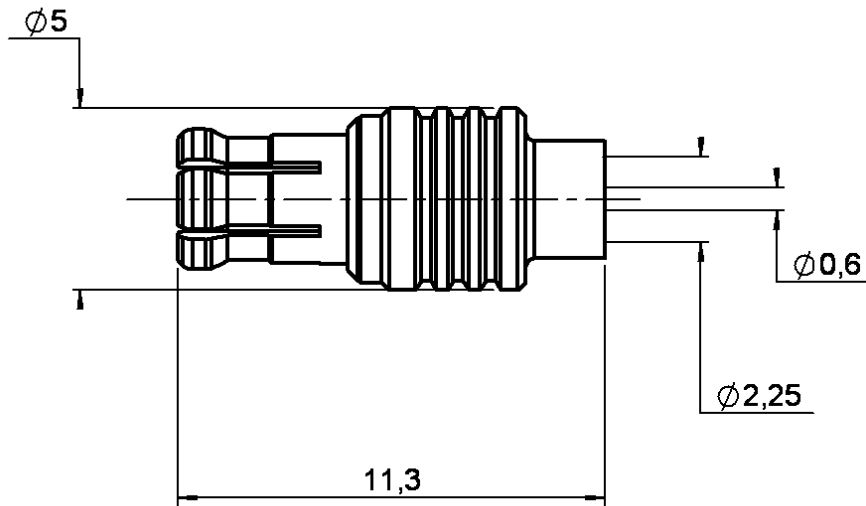


STRAIGHT PLUG SOLDER TYPE

CABLE .085

Series : **MCX**



CECC 22221-MCX

All dimensions are in mm.



COMPONENTS	MATERIALS	PLATINGS (µm)
BODY	BRASS	BBR 2
CENTER CONTACT	BRASS	GOLD 1.3 OVER NICKEL 2
OUTER CONTACT	BERYLLIUM COPPER	BBR 2
INSULATOR	PTFE	
GASKET	-	-
OTHERS PARTS	-	-
-	-	-
-	-	-

TECHNICAL DATA SHEET 2 / 2

STRAIGHT PLUG SOLDER TYPE

CABLE .085

Series : **MCX**

PACKAGING

Standard	Unit	Other
1	-	Contact us

SPECIFICATION

CABLE ASSEMBLY

Stripping	a	b	c	d	e	f
mm	2.70	0.00	0.00	0.00	2.10	0.00

ELECTRICAL CHARACTERISTICS

Impedance		50	Ω	
Frequency		0-6	GHz	
VSWR	1.10 +	0.040	x F(GHz)	Maxi
Insertion loss		0.25	√F(GHz) dB	Maxi
RF leakage	-	NA	- F(GHz) dB	Maxi
Voltage rating		250	Veff	Maxi
Dielectric withstanding voltage		750	Veff	mini
Insulation resistance		1000	MΩ	mini

Assembly instruction :

Recommended cable(s)
KS 1
RG 405

Cable retention
- pull off **155** N mini
- torque **NA** N.cm

MECHANICAL CHARACTERISTICS

Center contact retention		NA	N mini	
Axial force – Mating end		NA	N mini	
Axial force – Opposite end		NA	N mini	
Torque		NA	N.cm mini	

Recommended torque		NA	N.cm	
Mating		NA	N.cm	
Panel nut		NA	N.cm	
Clamp nut		NA	N.cm	
A/F clamp nut		0.000	mm	

Mating life		500	Cycles	mini
Weight		0.643	g	

TOOLING

Part Number	Description	Hexagon
R282.740.020	SOLDERING MOUNTING	

OTHERS CHARACTERISTICS

ENVIRONMENTAL

Operating temperature		-55/+115	° C	
Hermetic seal		NA	Atm.cm3/s	
Panel leakage		NA		