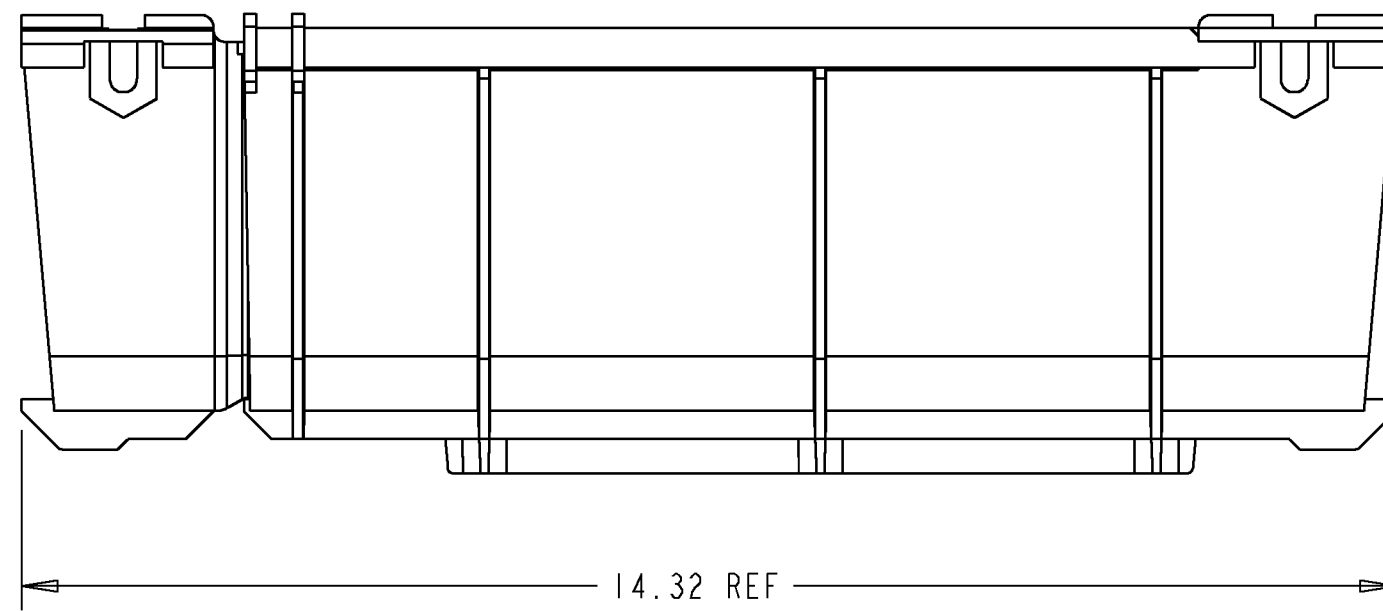
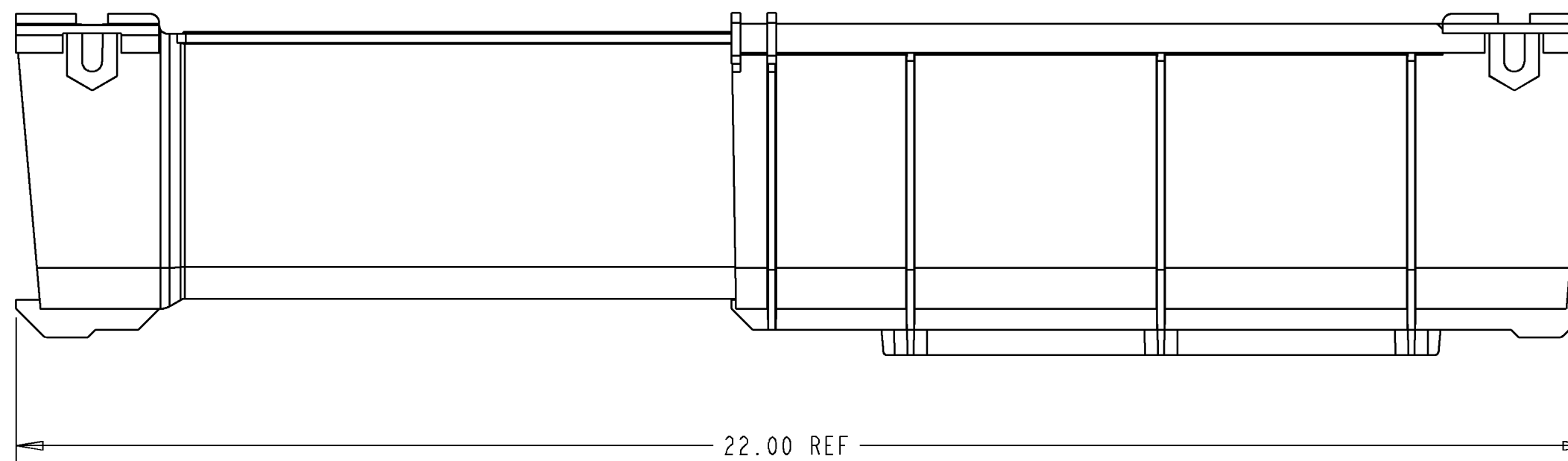
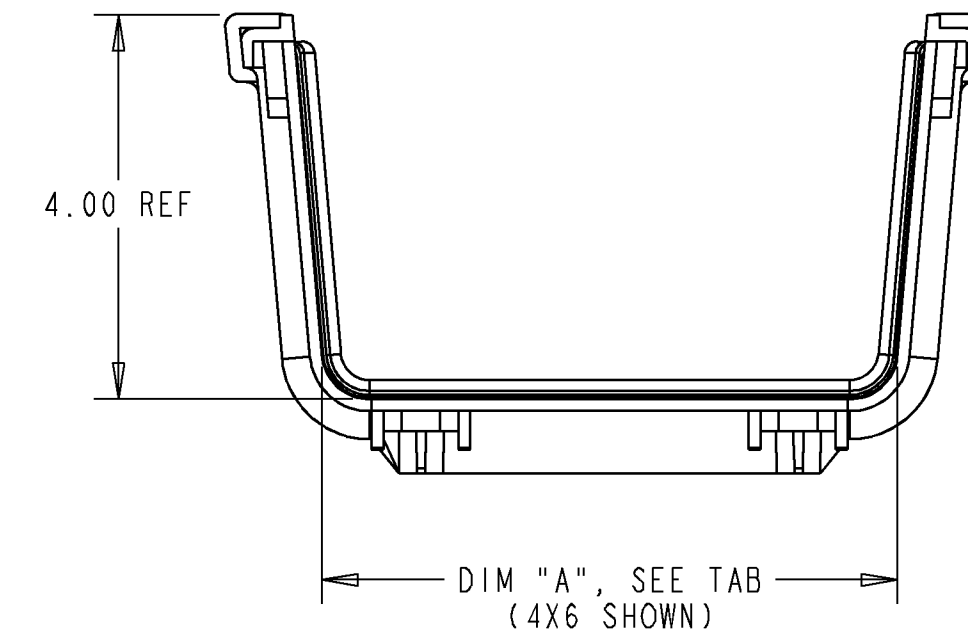


REV	MCO	DWN	DATE
D	20238696	AED	24-APR-08
E	20238949	AED	30-APR-08



RETRACTED STRAIGHT SECTION



EXPANDED STRAIGHT SECTION

CATALOG NUMBER	DIM "A"	COLOR
FGSB-MVAR-F	12.00	BLACK
FGSB-MVAR-B	6.00	BLACK
FGSB-MVAR-A	4.00	BLACK
FGS-MVAR-A	4.00	YELLOW
FGSO-MVAR-A	4.00	ORANGE
FGS-MVAR-B	6.00	YELLOW
FGSO-MVAR-B	6.00	ORANGE
FGS-MVAR-F	12.00	YELLOW
FGSO-MVAR-F	12.00	ORANGE

NOTES:

1. MATERIAL IS SELF EXTINGUISHING WITH A UL RATING OF 94 V-0.
2. SEE SHEET 2 FOR INSTALLATION INSTRUCTIONS.



INFORMATION ON THIS DOCUMENT IS PROPRIETARY TO ADC AND SHALL NOT BE USED, COPIED, REPRODUCED OR DISCLOSED IN WHOLE OR IN PART WITHOUT WRITTEN CONSENT OF ADC.

ALL DIMS AND TOLERANCES ARE INCHES UNLESS OTHERWISE SPECIFIED

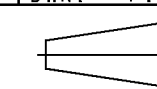
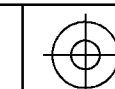
DO NOT SCALE DRAWING

TITLE
STRAIGHT, EXPANDABLE
(INSTALLATION DWG)

DRAWING NUMBER
1118586

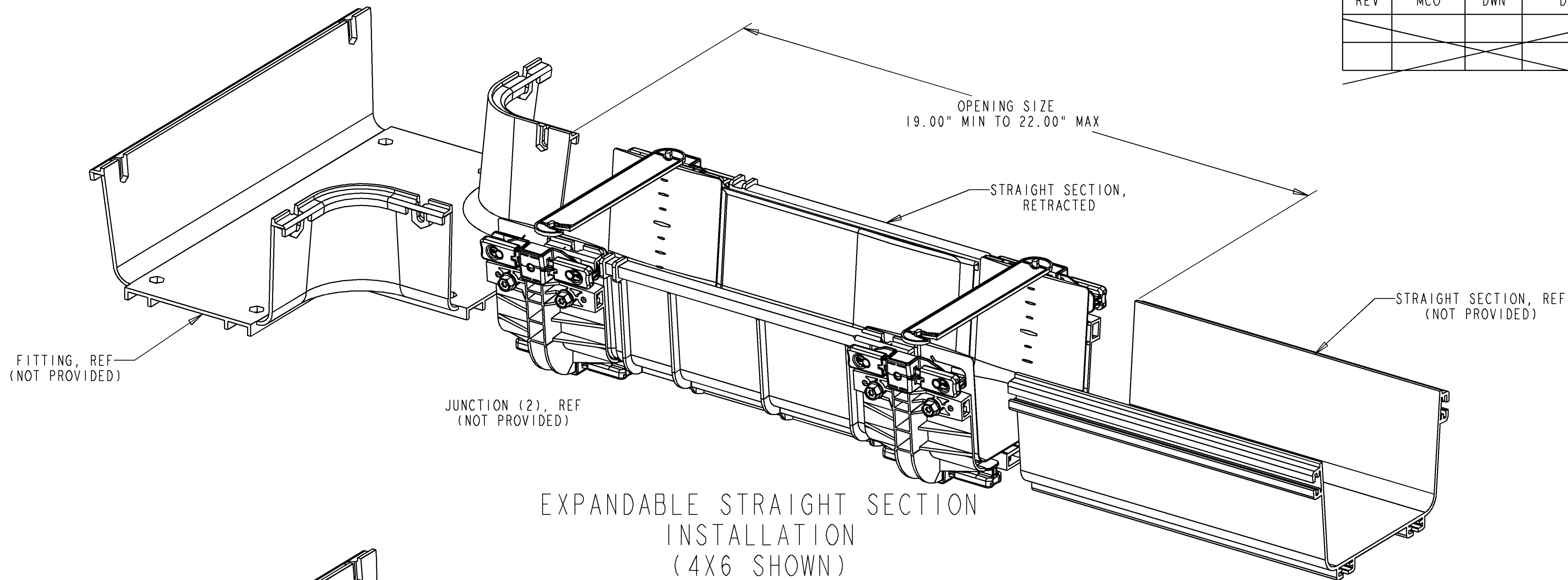
ENGR: T. HAATAJA
DWN: T. HAATAJA

SHT. 1 OF 2

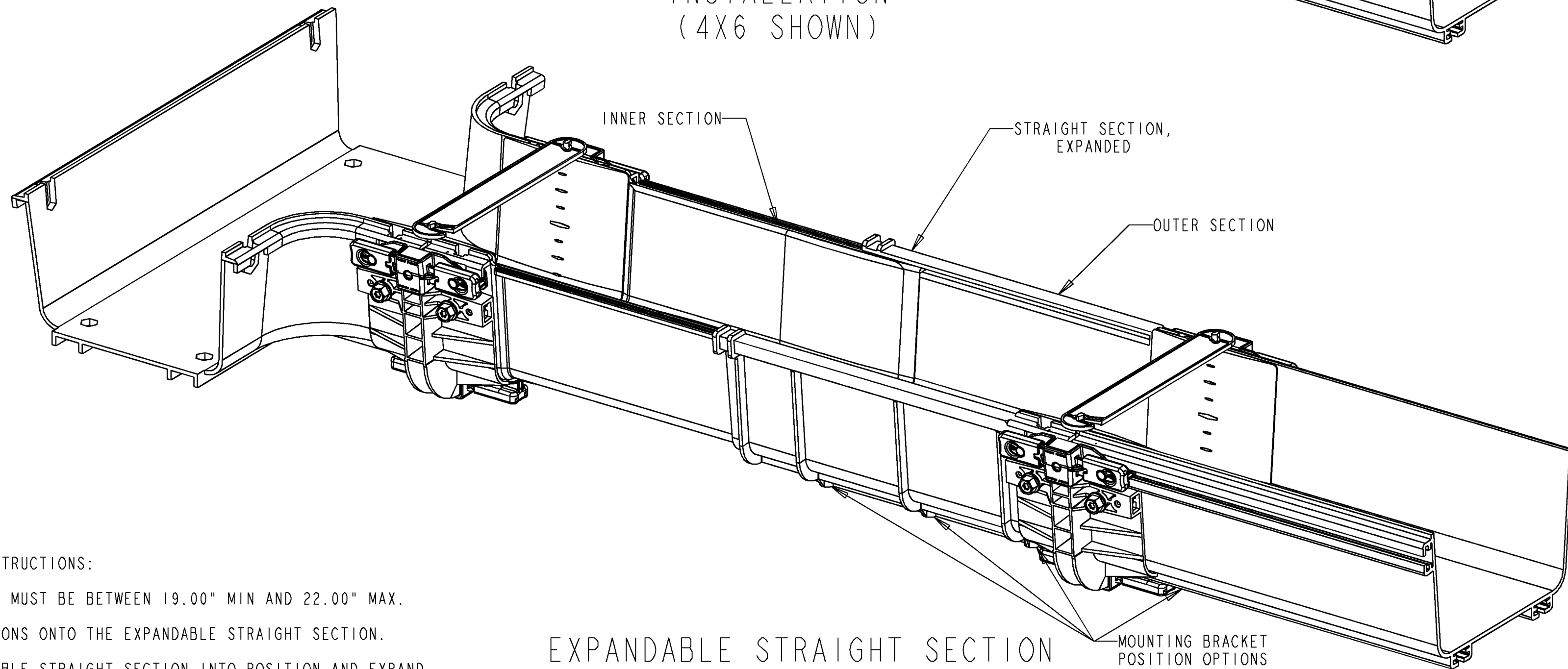


**DIMENSIONS IN INCHES
THIRD ANGLE PROJECTION**

REV	MCO	DWN	DATE



EXPANDABLE STRAIGHT SECTION
INSTALLATION
(4X6 SHOWN)



EXPANDABLE STRAIGHT SECTION
COMPLETED INSTALLATION
(4X6 SHOWN)

INSTALLATION INSTRUCTIONS:

1. OPENING SIZE MUST BE BETWEEN 19.00" MIN AND 22.00" MAX.
2. SLIDE JUNCTIONS ONTO THE EXPANDABLE STRAIGHT SECTION.
3. MOVE EXPANDABLE STRAIGHT SECTION INTO POSITION AND EXPAND UNTIL ALL COMPONENTS ARE TIGHT AGAINST EACH OTHER.
4. REFER TO JUNCTION INSTALLATION DRAWING TO COMPLETE ASSEMBLY (INCLUDED WITH JUNCTION).
5. SUPPORT BRACKET SHOULD BE INSTALLED DIRECTLY UNDER OUTER SECTION USING SUPPORT BOSSES OR IMMEDIATELY ADJACENT TO OUTER SECTION.



INFORMATION ON THIS DOCUMENT IS PROPRIETARY TO ADC AND SHALL NOT BE USED, COPIED, REPRODUCED OR DISCLOSED IN WHOLE OR IN PART WITHOUT WRITTEN CONSENT OF ADC.		TITLE STRAIGHT, EXPANDABLE (INSTALLATION DWG)	
ALL DIMS AND TOLERANCES ARE INCHES UNLESS OTHERWISE SPECIFIED	.XX:±N/A .XXX:±N/A ANGULAR:±N/A	C SIZE	DRAWING NUMBER 1118586
DO NOT SCALE DRAWING		ENGR: T. HAATAJA DWN: T. HAATAJA	E REV
		SHT. 2 OF 2	

DIMENSIONS IN INCHES
THIRD ANGLE PROJECTION