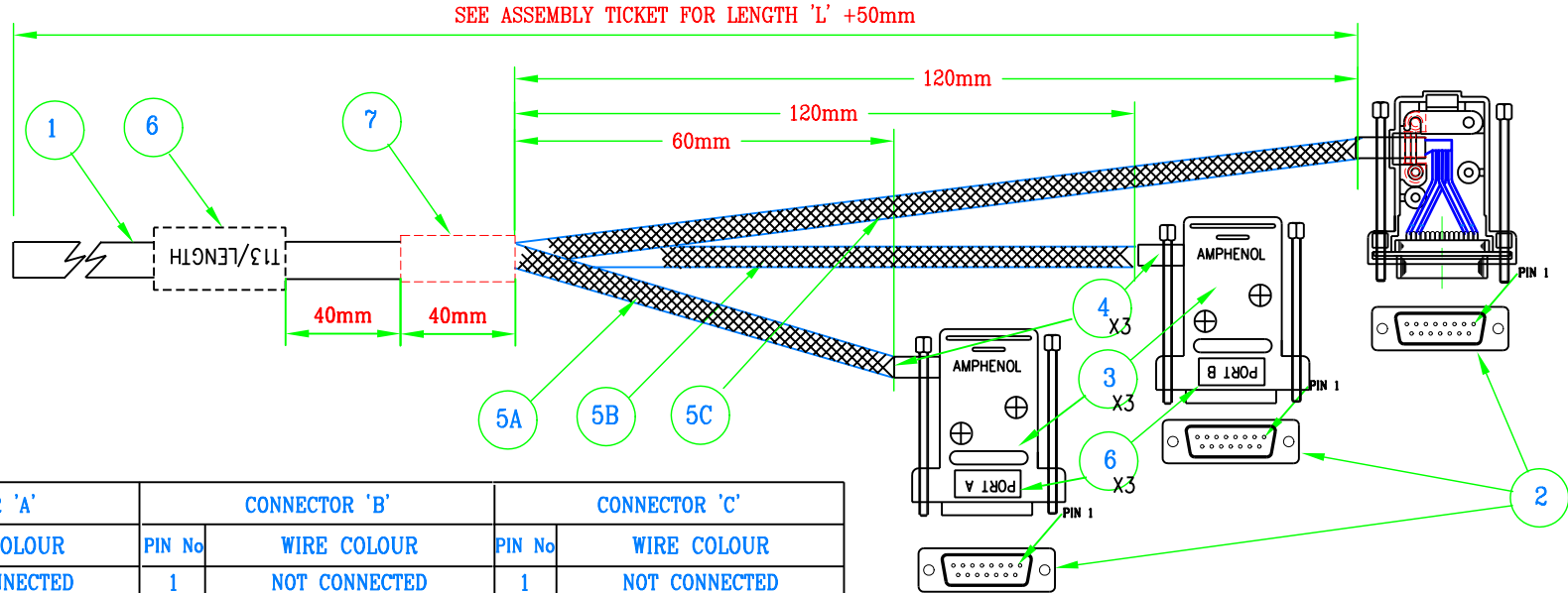


# T13 Assembly 3 x 15 Way D Type Sockets Using 15 Pair CW1308 145-370



## WIRE LIST

CONNECTOR 'A'		CONNECTOR 'B'		CONNECTOR 'C'	
PIN No	WIRE COLOUR	PIN No	WIRE COLOUR	PIN No	WIRE COLOUR
1	NOT CONNECTED	1	NOT CONNECTED	1	NOT CONNECTED
2	NOT CONNECTED	2	NOT CONNECTED	2	NOT CONNECTED
3	NOT CONNECTED	3	NOT CONNECTED	3	NOT CONNECTED
4	WHITE/GREY	4	RED/GREY	4	BLACK/GREY
5	WHITE/BROWN	5	RED/BROWN	5	BLACK/BROWN
6	WHITE/GREEN	6	RED/GREEN	6	BLACK/GREEN
7	WHITE/ORANGE	7	RED/ORANGE	7	BLACK/ORANGE
8	WHITE/BLUE	8	RED/BLUE	8	BLACK/BLUE
9	NOT CONNECTED	9	NOT CONNECTED	9	NOT CONNECTED
10	NOT CONNECTED	10	NOT CONNECTED	10	NOT CONNECTED
11	GREY/WHITE	11	GREY/RED	11	GREY/BLACK
12	BROWN/WHITE	12	BROWN/RED	12	BROWN/BLACK
13	GREEN/WHITE	13	GREEN/RED	13	GREEN/BLACK
14	ORANGE/WHITE	14	ORANGE/RED	14	ORANGE/BLACK
15	BLUE/WHITE	15	BLUE/RED	15	BLUE/BLACK

## PARTS LIST

ITEM No	FCA	DESCRIPTION	QTY
1		CW1308 - 15 PAIR.	A/R
2		15 WAY D TYPE SOCKET.	3
3		HOOD WITH LONG THUMBSCREWS	3
4		SLEEVE NEOPRENE H50 3x20mm	60mm
5		SLEEVE A=90 B=150 C=210.	450mm
6		LABEL - AS DRAWING	4
7		HEATSHRINK SLEEVE BLACK.	40mm