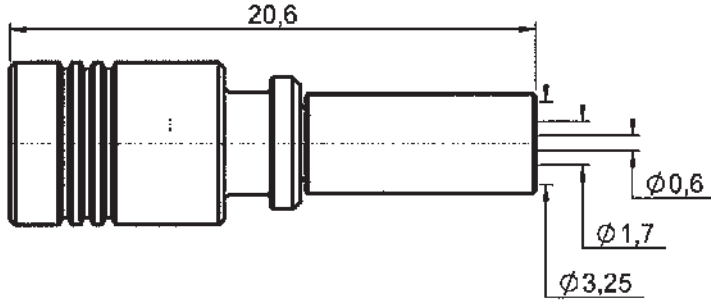
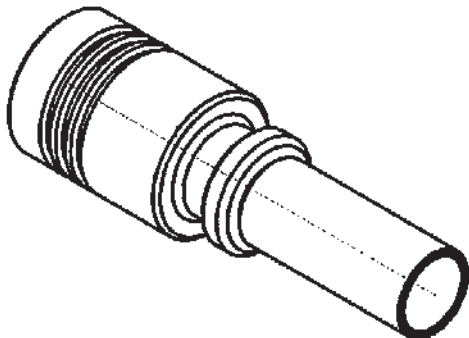
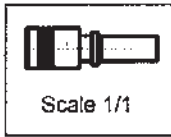


TECHNICAL DATA SHEET		1 / 2
STRAIGHT PLUG CRIMP TYPE CABLE 2.6/50+75 S		R114.082.000 Series : SMB
  		
<p>All dimensions are in mm.</p>		
COMPONENTS	MATERIALS	PLATING (µm)
BODY	BRASS	GOLD 0.2 OVER NICKEL 2
CENTER CONTACT	BERYLLIUM COPPER	GOLD 0.2 OVER NICKEL 2
OUTER CONTACT	BERYLLIUM COPPER	GOLD 0.5 OVER NICKEL 2
INSULATOR	PTFE	
GASKET	-	
OTHERS PARTS	BRASS	GOLD 0.2 OVER NICKEL 2
-	-	-
-	-	-

Issue : 0513 A

In the effort to improve our products, we reserve the right to make changes judged to be necessary.

