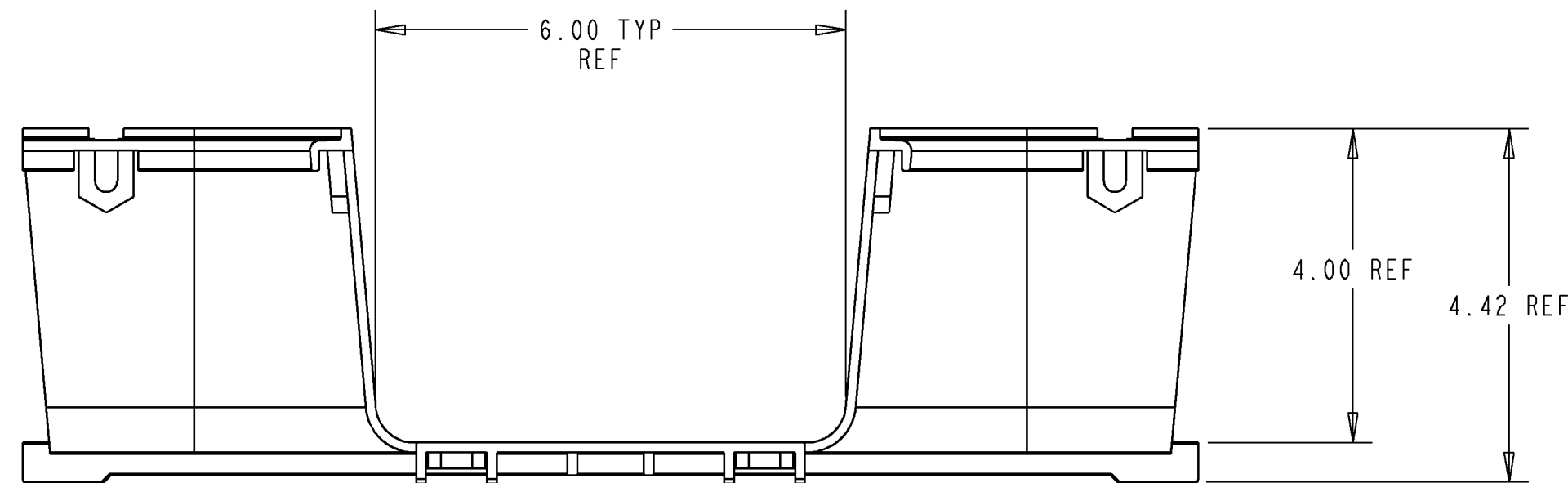
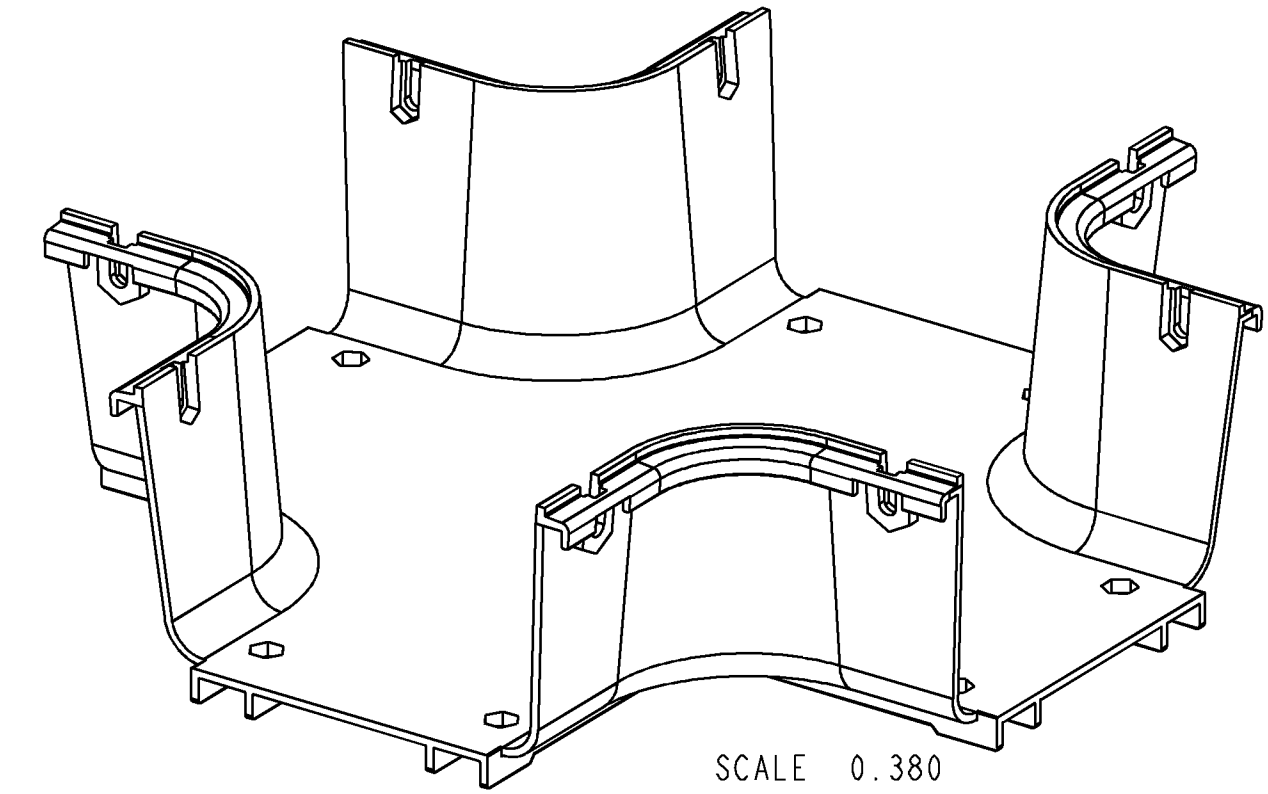
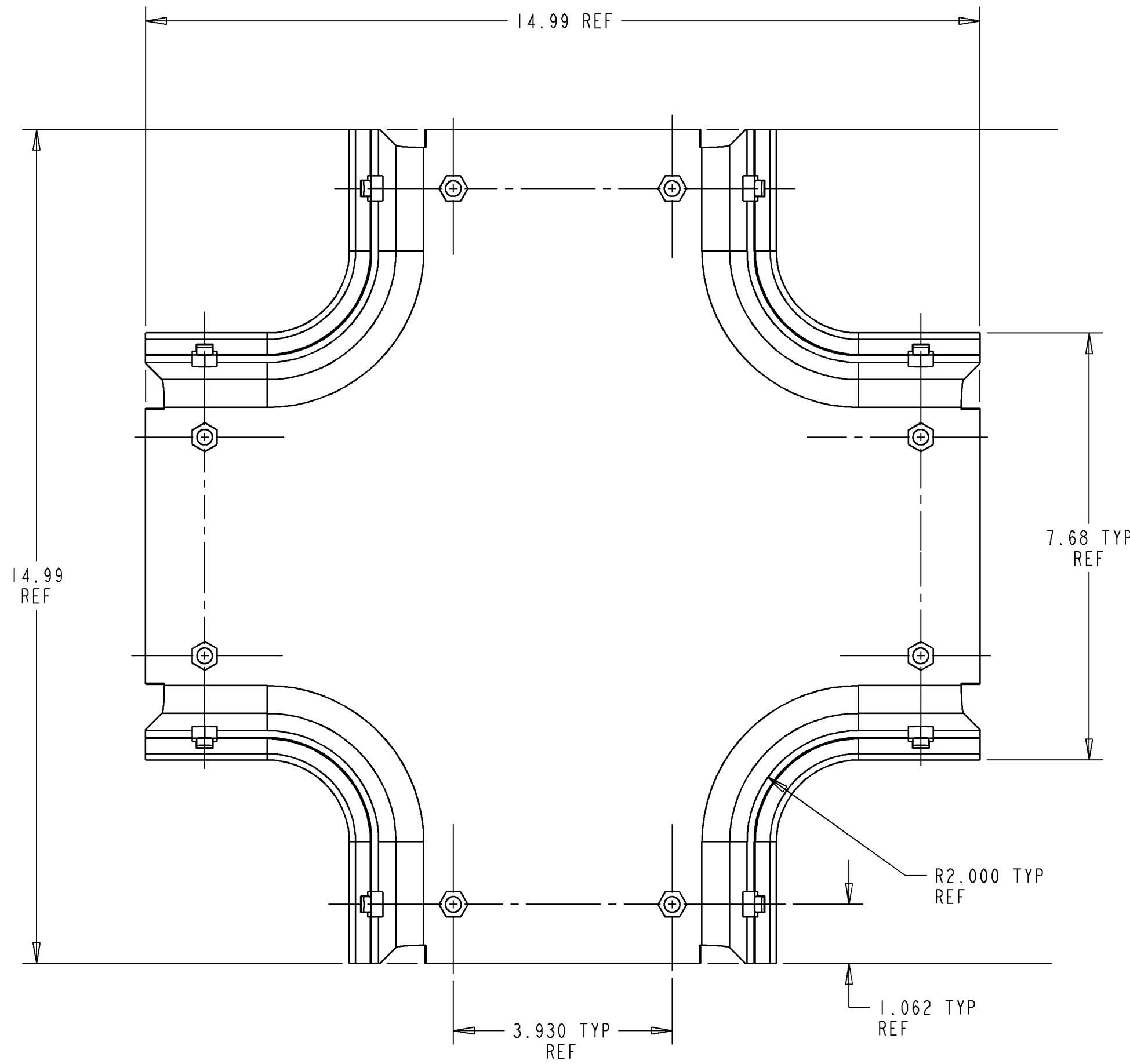


REV	MCO	DWN	DATE
A	20000132	TH	23-JUN-97
B	20238208	AED	19-APR-08



NOTES:

- MATERIAL IS SELF EXTINGUISHING WITH A UL 94 RATING OF V-0.

CATALOG NO.	COLOR
FGSB-MHXP-B	BLACK
FGS-MHXP-B	YELLOW
FGSO-MHXP-B	ORANGE



INFORMATION ON THIS DOCUMENT IS PROPRIETARY TO ADC AND SHALL NOT BE USED, COPIED, REPRODUCED OR DISCLOSED IN WHOLE OR IN PART WITHOUT WRITTEN CONSENT OF ADC.

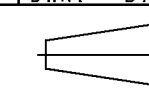
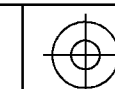
ALL DIMS AND TOLERANCES ARE INCHES UNLESS OTHERWISE SPECIFIED  
 .XX: ±.01  
 .XXX: ±.005  
 ANGULAR: ±1°

DO NOT SCALE DRAWING

ENGR: T. HAATAJA  
 DWN: DAN HECKSEL

TITLE	CROSS, HORIZ, 4X6, FGS
DRAWING NUMBER	4-40001-5181
C SIZE	B REV

SHT. 1 OF 1



**DIMENSIONS IN INCHES  
THIRD ANGLE PROJECTION**