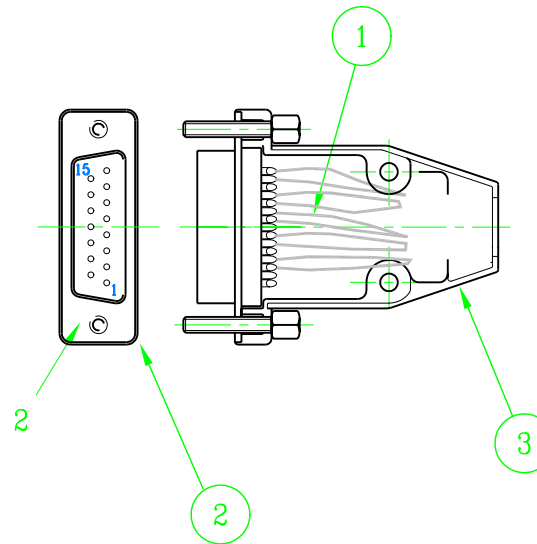


15 Way D Type Male X21 Connector Loop Back using 5 Lengths of 7/0.2mm

141-416



CONNECTOR CHART Nos; TERMINATION WIRE LIST

| LOOP BACK PLUG | | |
|----------------|----------------------|--------|
| PIN No | 1 OFF 15 way D | PIN No |
| 2 | LINK WIRE WHITE 45mm | 4 |
| 3 | LINK WIRE WHITE 45mm | 10 |
| 5 | LINK WIRE WHITE 45mm | 12 |
| 6 | LINK WIRE WHITE 45mm | 13 |
| 9 | LINK WIRE WHITE 45mm | 11 |

PARTS LIST

| PRODUCT No | FCA | DESCRIPTION | QTY |
|------------|-----|---------------------------------------|------|
| 1 | | WIRE 7/0.2mm WHITE - 5 LENGTH OF 45mm | .225 |
| 2 | | 15 way D Type male | 1 |
| 3 | | 15 WAY BLACK PLASTIC HOOD | 1 |
| | | | |