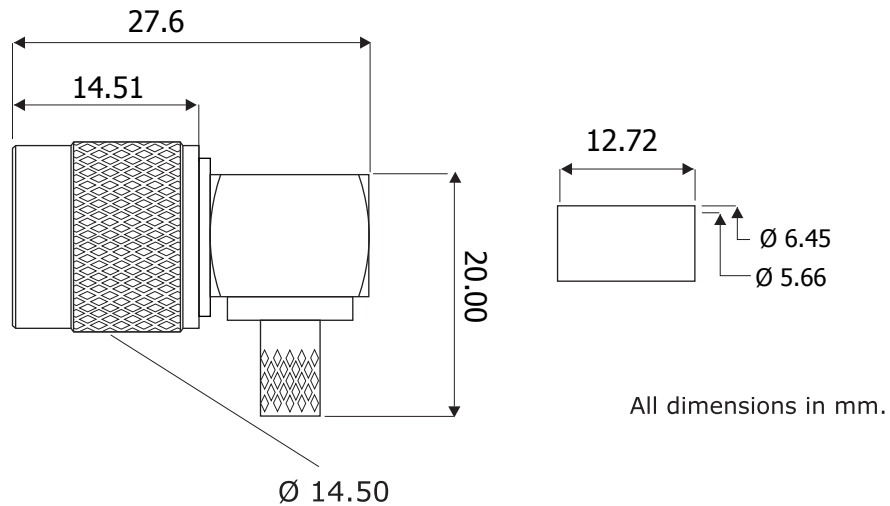


TNC Right Angle Crimp Connector

For RG142, RG223, RG400 Type Cables
314-102



Electrical

Impedance	50 ohms
Interface Frequency	DC to 6 GHz
Working Voltage	500V RMS Maximum
Dielectric Withstanding	1500V RMS Maximum

Durability

	500 Mating Cycles
Cable Retention	Typically equal to breaking strain of cable
Temperature Range	-65 to +165 Degrees Centigrade
Crimp Hex Sizes	Ferrule: 5.41mm Hex, Contact: Solder
Recommended Crimp Tools	DC1113

Body	Brass, Nickel Plated
Pin	Brass, Gold Plated
Ferrule	Brass, Nickel Plated
Dielectric	Delrin

Strip Dimensions	A	B	C
mm	8	5	3

