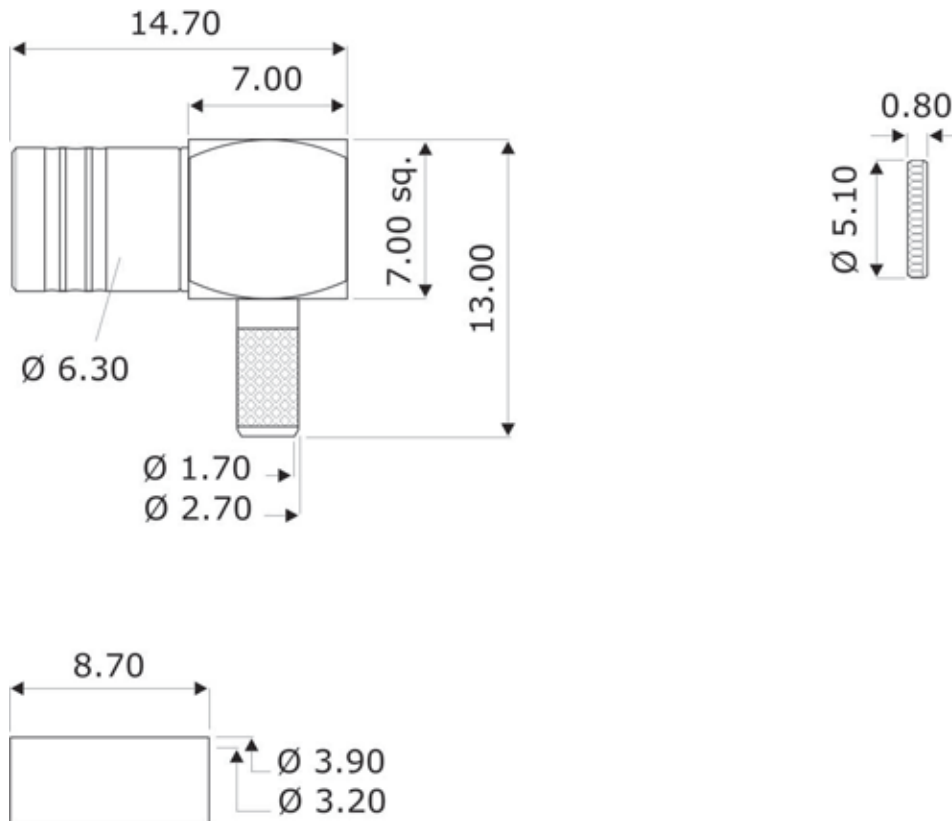


Description

SMB Crimp Right Angle Plug, RG174

All dimensions in mm. Scale 3:1



ELECTRICAL

Impedance

50 ohms

Frequency

DC to 4 GHz

Working Voltage

335V RMS Maximum

Dielectric Withstanding Voltage

750V RMS Maximum

MECHANICAL / ENVIRONMENTAL

Durability

500 mating cycles

Cable Retention

Equal to breaking strain of cable

Temperature Range

-65 to +165 Deg C

MATERIALS

Body

Brass, Gold plated

Contact

Beryllium Copper, Gold plated

Ferrule

Brass, Gold plated

Dielectric

PTFE

End Cap

Brass, Gold plated