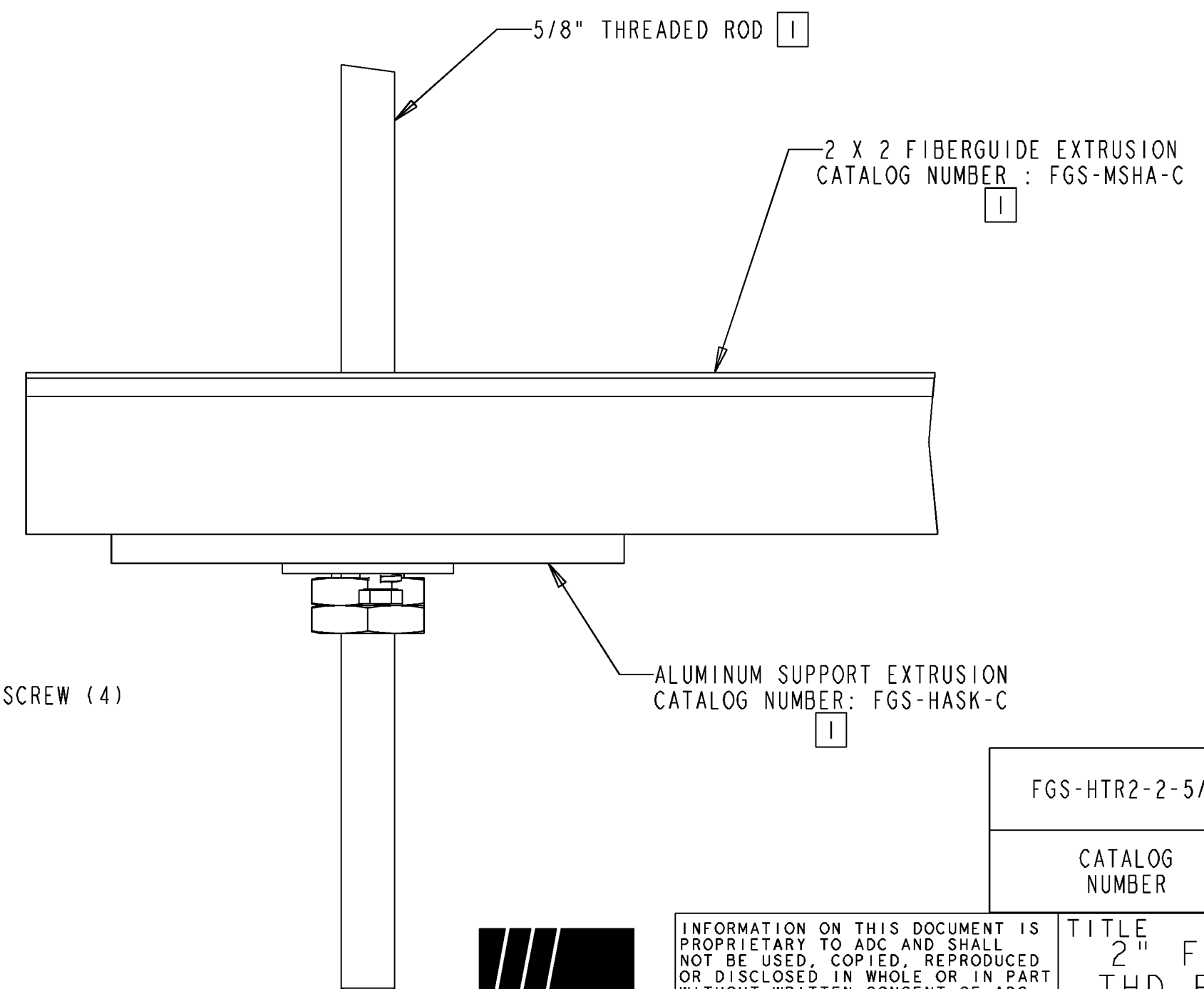
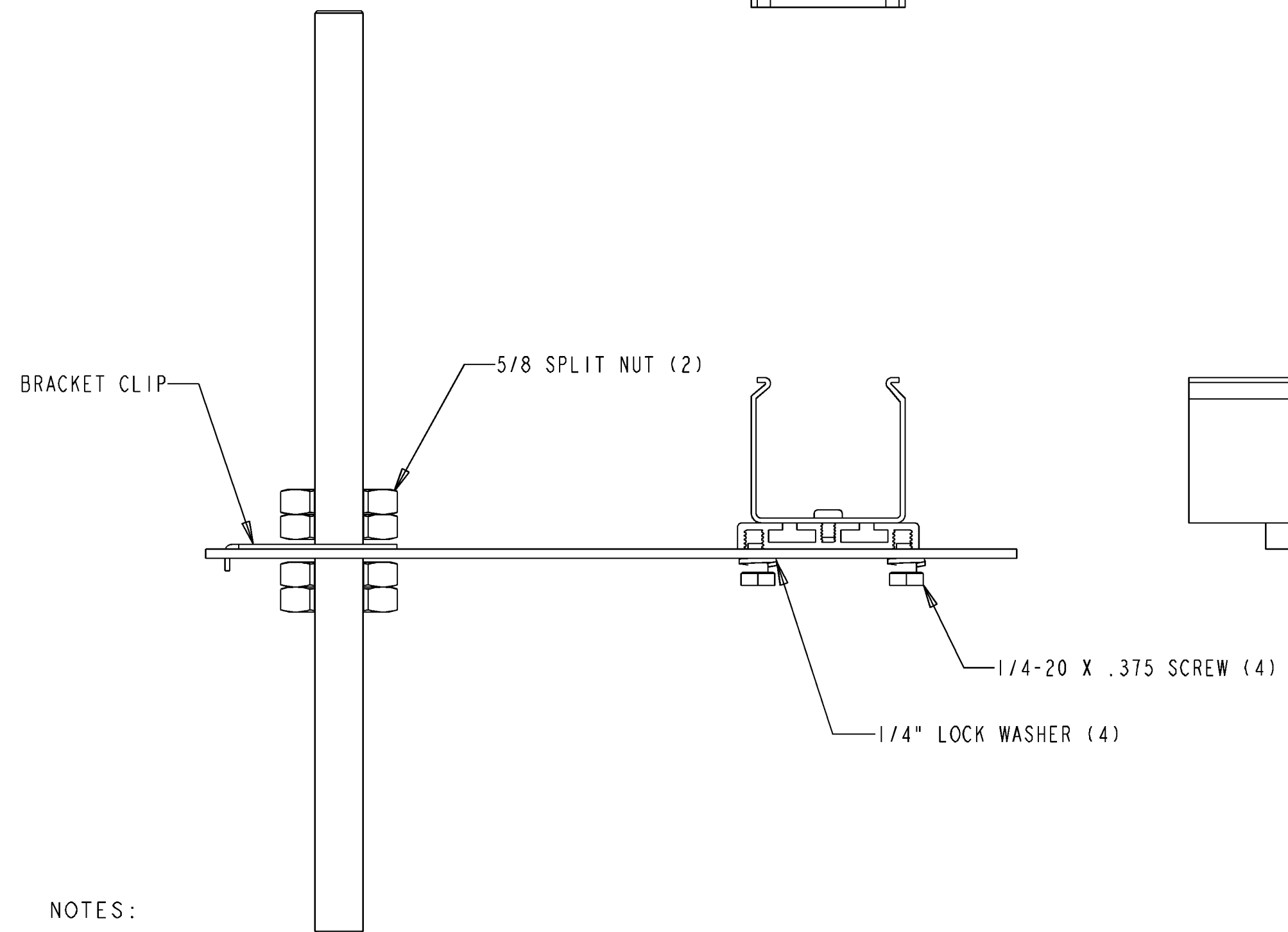
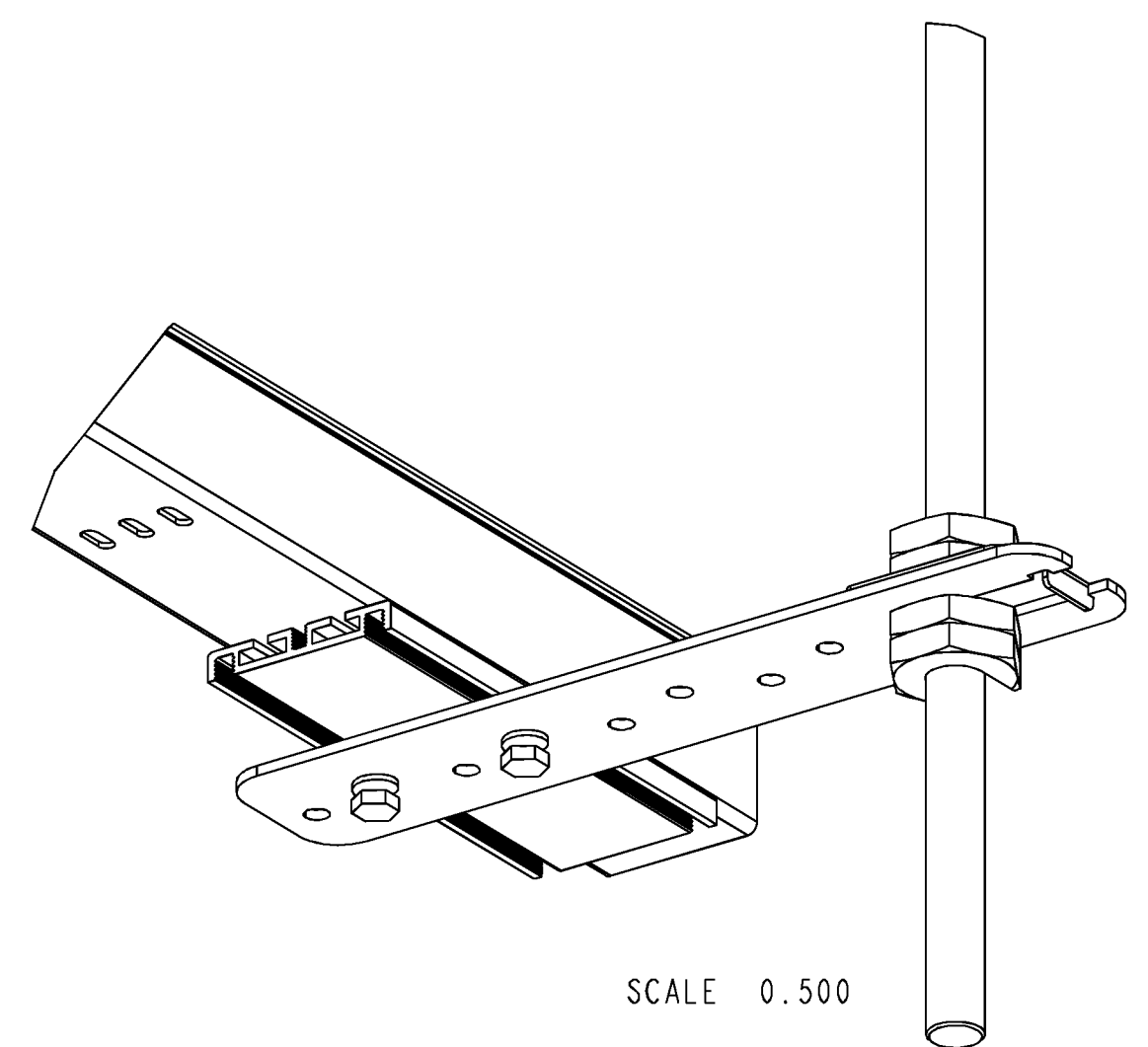
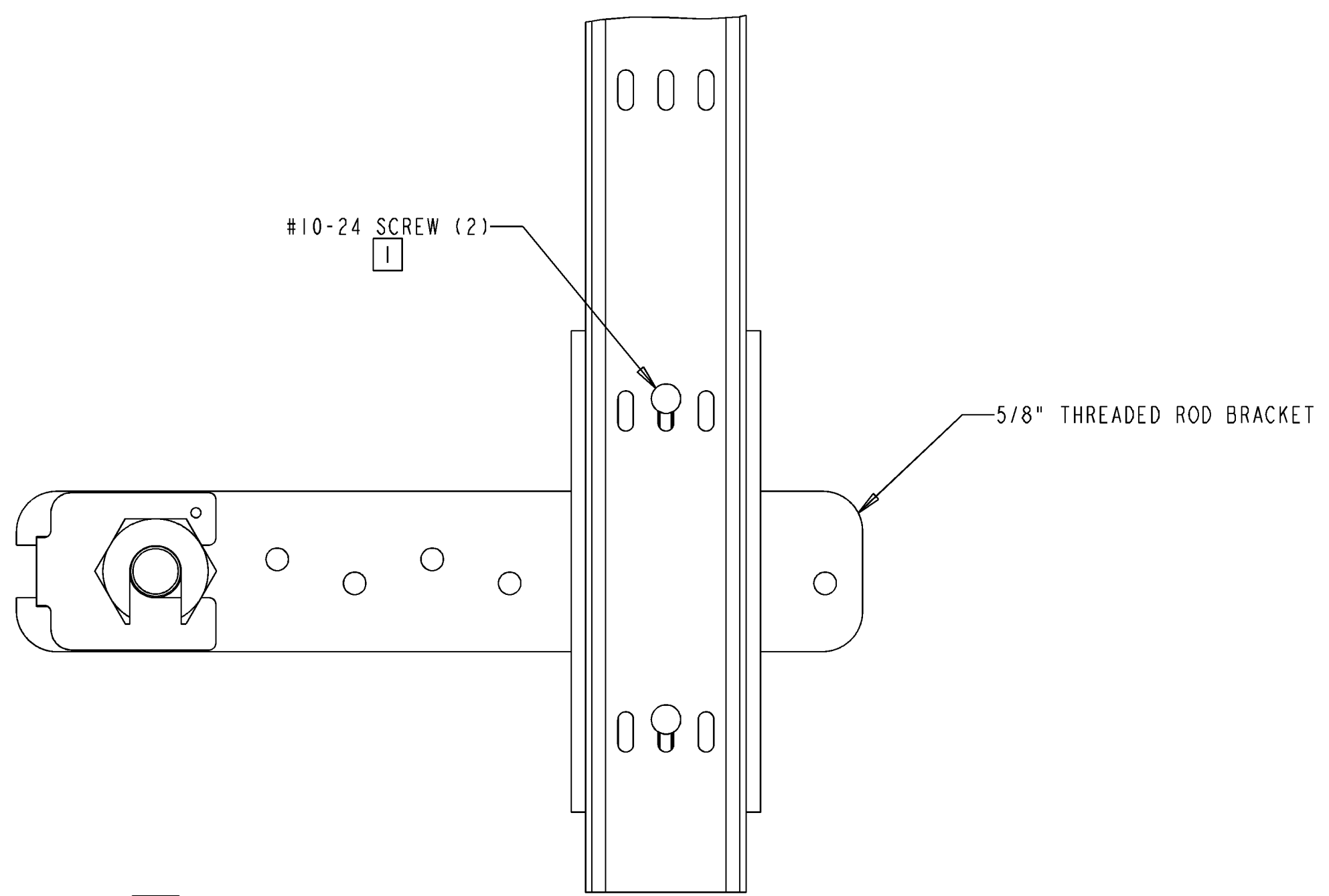


REV	ECO	DWN	DATE
A	20065823	SNF	14-AUG-00
-	-----	---	-----



NOTES:
 [1] ITEMS NOT INCLUDED IN KIT



FGS-HTR2-2-5/8	5/8"	A
CATALOG NUMBER	ROD DIAMETER	REV

INFORMATION ON THIS DOCUMENT IS PROPRIETARY TO ADC AND SHALL NOT BE USED, COPIED, REPRODUCED OR DISCLOSED IN WHOLE OR IN PART WITHOUT WRITTEN CONSENT OF ADC.		TITLE 2" FGS BRKT, EXIST THD ROD (INSTL DRW)	
TOLERANCE UNLESS OTHERWISE SPECIFIED .XX: ±.02 .XXX: ±.010 ANGULAR: ±2°	SIZE C	DRAWING NUMBER 1125304	REV A
THIRD ANGLE PROJECTION DO NOT SCALE DRAWING	ENGR: KEVIN HRUBY DWN: SPENCER FROTHINGER		SHT. 1 OF 1