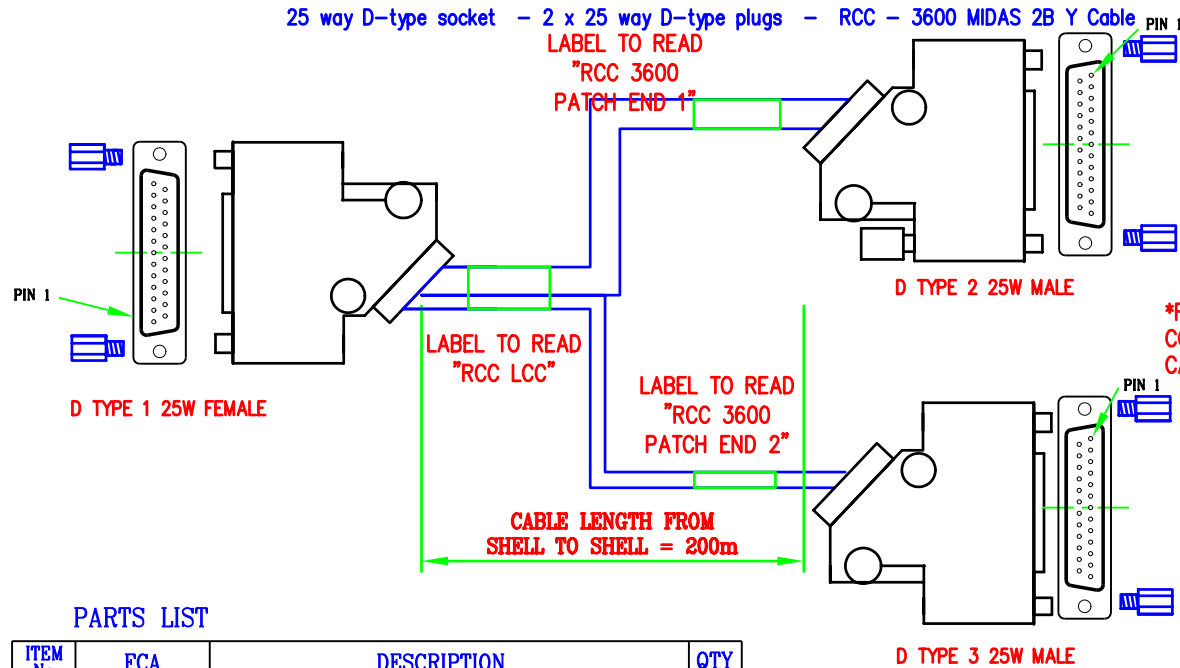


# RCC - 3600 Midas 2B Y Cable 25 Way Female to 2 x 25 Male D Type Connectors

142-804



### PARTS LIST

ITEM No	FCA	DESCRIPTION	QTY
1		25 CORE RS232 CABLE (1 x 260mm)	1
2		1 PAIR CABLE - EQUIV 9501 (1 x 260mm)	1
3		25 Way SUB D SOLDER SKT DB25SS	1
4		25 Way SUB D SOLDER PLUG DB25SP	2
5		Panel Mount DieCast Hood 25 Way DType	3

### WIRE LIST

D TYPE 1 FEMALE	
PIN No	WIRE COLOUR
1	BLACK
2	WHITE
3	RED
4	*RED
5	GREEN
6	ORANGE
7	BLUE
8	*BLACK
9	WHITE/black
10	RED/black
11	GREEN/black
12	ORANGE/black
13	BLUE/black
14	BLACK/white
15	RED/white
16	GREEN/white
17	BLUE/white
18	BLACK/red
19	WHITE/red
20	ORANGE/red
21	BLUE/red
22	RED/green
23	ORANGE/green
24	BLACK/white/red
25	WHITE/black/red

### WIRE LIST

D TYPE 2 MALE	
PIN No	WIRE COLOUR
1	BLACK
2	WHITE
3	RED
4	N/C
5	GREEN
6	ORANGE
7	BLUE
8	N/C
9	WHITE/black
10	RED/black
11	GREEN/black
12	ORANGE/black
13	BLUE/black
14	BLACK/white
15	RED/white
16	GREEN/white
17	BLUE/white
18	BLACK/red
19	WHITE/red
20	ORANGE/red
21	BLUE/red
22	RED/green
23	ORANGE/green
24	BLACK/white/red
25	WHITE/black/red

### WIRE LIST

D TYPE 3 MALE	
PIN No	WIRE COLOUR
2	RED
3	BLACK