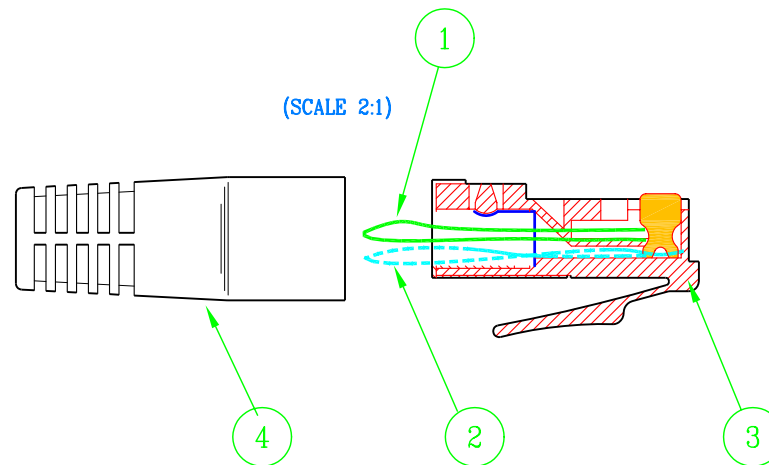


RJ45 Loop Back Plug Using 2 Lengths of 7/0.2mm

141-501



CONNECTOR CHART Nos; TERMINATION WIRE LIST

| LOOP BACK PLUG | | |
|----------------|----------------------------|--------|
| PIN No | 1 OFF RJ45 | PIN No |
| 1 | LINK WIRE GREEN 60mm | 4 |
| 2 | LINK WIRE WHITE/GREEN 60mm | 5 |

PARTS LIST

| PRODUCT No | FCA | DESCRIPTION | QTY |
|------------|-----|---|-----|
| 1 | | WIRE 7/0.2mm GREEN - 1 LENGTH OF 60mm | .06 |
| 2 | | WIRE 7/0.2mm WHITE/GREEN - 1 LENGTH OF 60mm | .06 |
| 3 | | CONNECTOR RJ45 50 MICRON PLUG. | 1 |
| 4 | | RJ45 RUBBER BOOT (GREY) | 1 |