

REV	MCO	DWN	DATE
B	20090239	JAZ	09-MAY-01
C	20262032	JSL	31-MAR-09

PARTS LIST	
PART	QTY
INSERTABLE DOWNSPOUT	1
CONNECTING BARS	8
1/4-20 SCREWS	8
1/4-20 NUTS	16
1/4 WASHERS	8
SQUARE RETAINING WASHER	8
LABELS	2

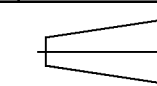
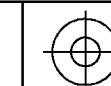
ASSEMBLY INSTRUCTIONS:

- 1) CUT A 14.0 ±0.1 INCH SECTION OUT OF THE FIBERGUIDE SPAN WHERE THE DOWNSPOUT WILL BE INSERTED AS SHOWN IN FIGURE 1.
- 2) INSERT (8) 1/4-20 SCREWS INTO THE (8) CONNECTING BARS. SLIDE THE (8) CONNECTING BARS INTO THE SLOTS ON THE SIDE OF THE FIBERGUIDE SPAN. THE "FORKED" END OF THE BARS SHOULD FACE THE OPENING AS SHOWN IN FIGURE 1.
- 3) INSERT THE DOWNSPOUT INTO THE CUTOUT SECTION AS SHOWN IN FIGURE 1.
- 4) SLIDE THE CONNECTING BARS AROUND THE SCREWS PRE-ASSEMBLED INTO THE DOWNSPOUT. FASTEN WITH (8) WASHERS AND (8) 1/4-20 NUTS AS SHOWN IN FIGURE 2.
- 5) ATTACH (8) SQUARE RETAINING WASHERS AND (8) NUTS ONTO THE SCREWS IN THE FIBERGUIDE SPAN AS SHOWN IN FIGURE 2.

FGSB-MDSP-B/I	BLACK	6"
FGSB-MDSP-A/I	BLACK	4"
FGSO-MDSP-B/I	ORANGE	6"
FGS-MDSP-B/I	YELLOW	6"
FGSO-MDSP-A/I	ORANGE	4"
FGS-MDSP-A/I	YELLOW	4"
ADC CATALOG NUMBER	COLOR	SIZE



INFORMATION ON THIS DOCUMENT IS PROPRIETARY TO ADC AND SHALL NOT BE USED, COPIED, REPRODUCED OR DISCLOSED IN WHOLE OR IN PART WITHOUT WRITTEN CONSENT OF ADC.		TITLE INSERTABLE DOWNSPOUT (INSTALLATION DRAWING)	
ALL DIMS AND TOLERANCES ARE INCHES UNLESS OTHERWISE SPECIFIED	.XX:±N/A .XXX:±N/A ANGULAR:±N/A	C SIZE	DRAWING NUMBER 1025797
DO NOT SCALE DRAWING		ENGR: S ZIMMEL DWN: MJ MORRIS	SHT. 1 OF 2



**DIMENSIONS IN INCHES
THIRD ANGLE PROJECTION**

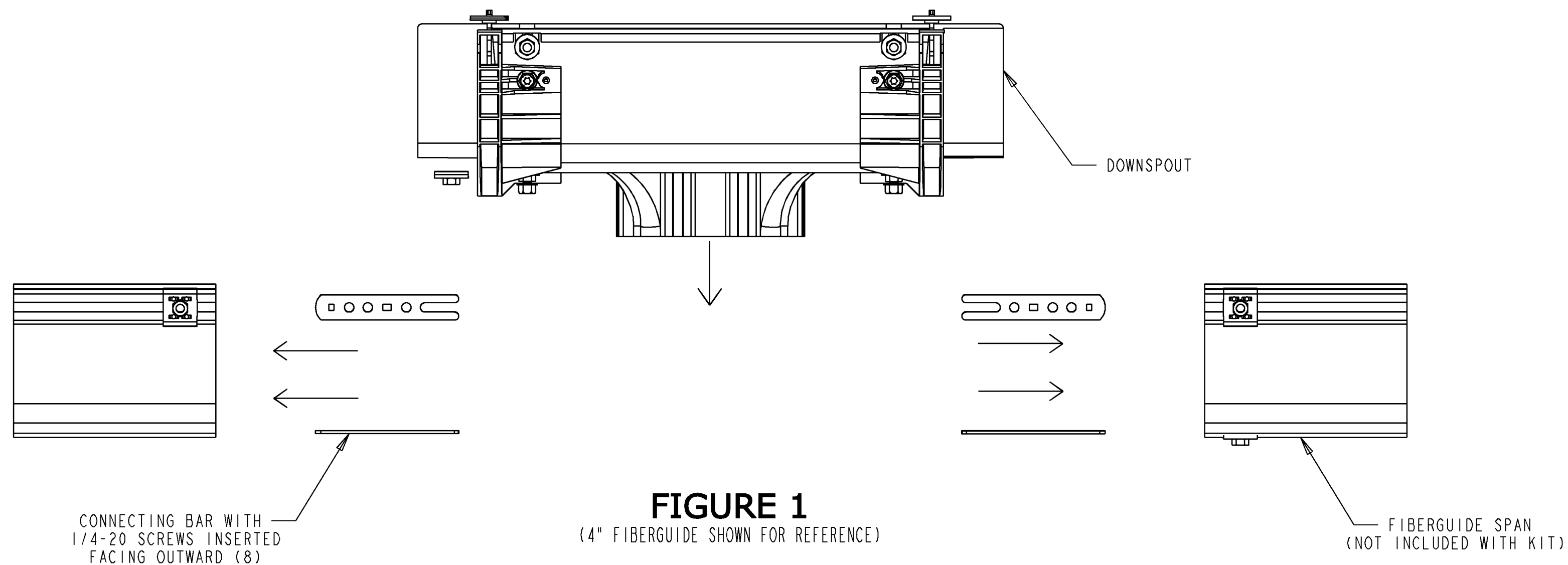


FIGURE 1
(4" FIBERGUIDE SHOWN FOR REFERENCE)

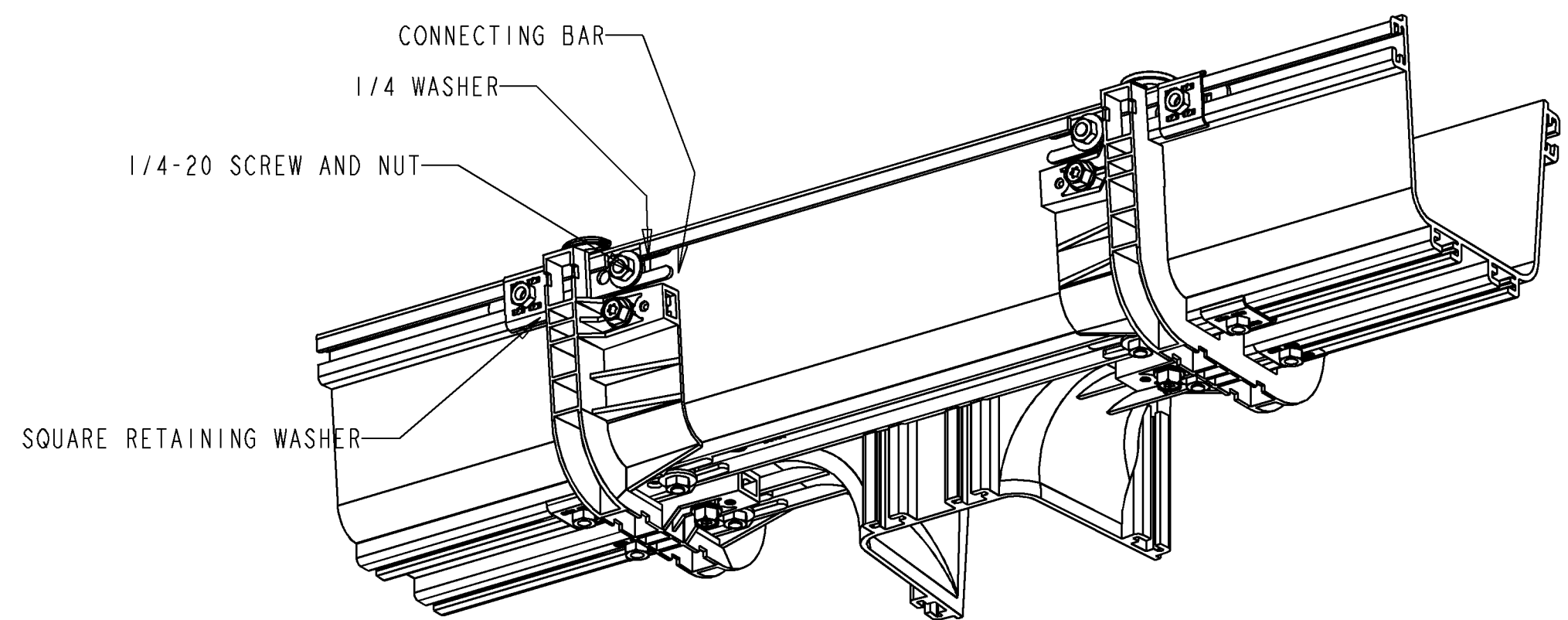


FIGURE 2
(4" FIBERGUIDE SHOWN FOR REFERENCE)



<small>INFORMATION ON THIS DOCUMENT IS PROPRIETARY TO ADC AND SHALL NOT BE USED, COPIED, REPRODUCED OR DISCLOSED IN WHOLE OR IN PART WITHOUT WRITTEN CONSENT OF ADC.</small>		TITLE INSERTABLE DOWNSPOUT (INSTALLATION DRAWING)	
<small>ALL DIMS AND TOLERANCES ARE INCHES UNLESS OTHERWISE SPECIFIED</small>	<small>.XX:±N/A .XXX:±N/A ANGULAR:±N/A</small>	C <small>SIZE</small>	DRAWING NUMBER 1025797
DO NOT SCALE DRAWING		ENGR: S ZIMMEL DWN: MJ MORRIS	SHT. 2 OF 2

**DIMENSIONS IN INCHES
THIRD ANGLE PROJECTION**