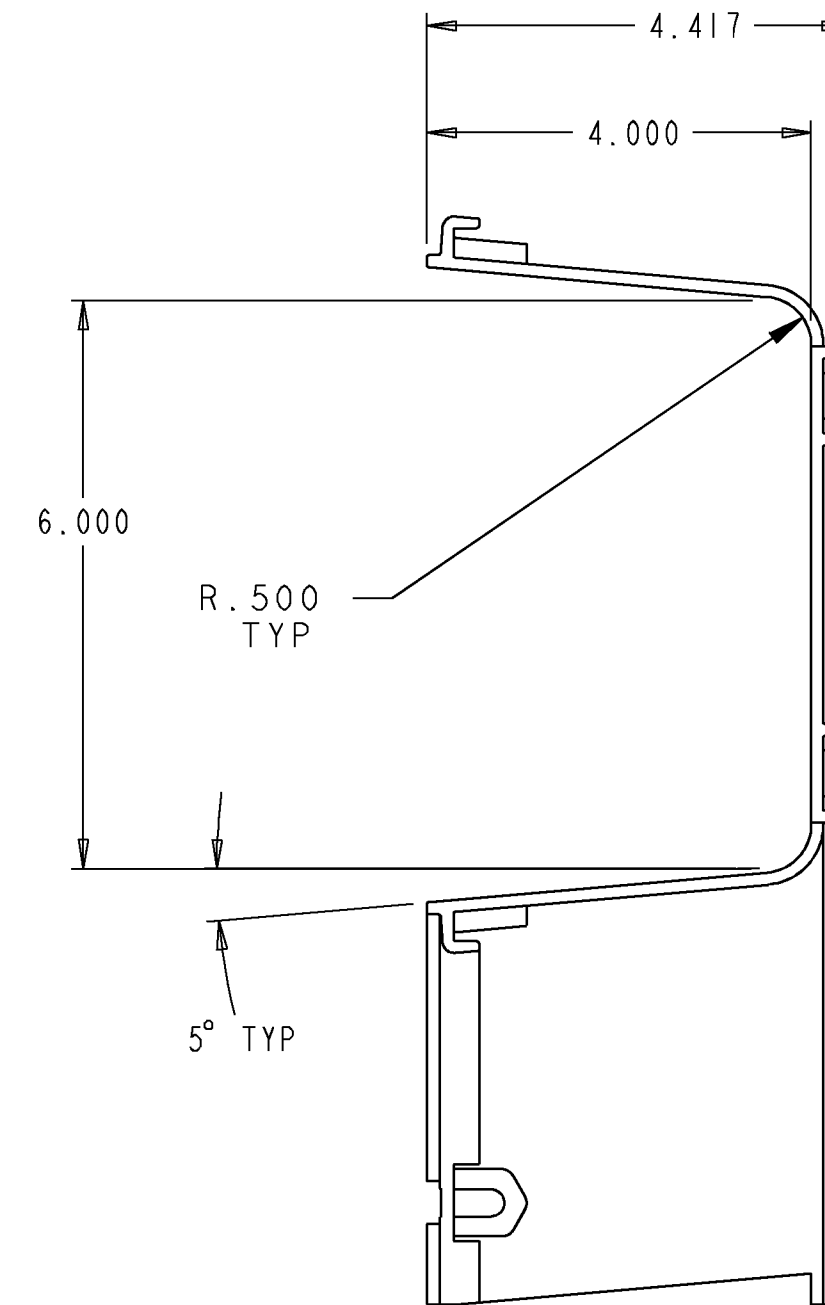
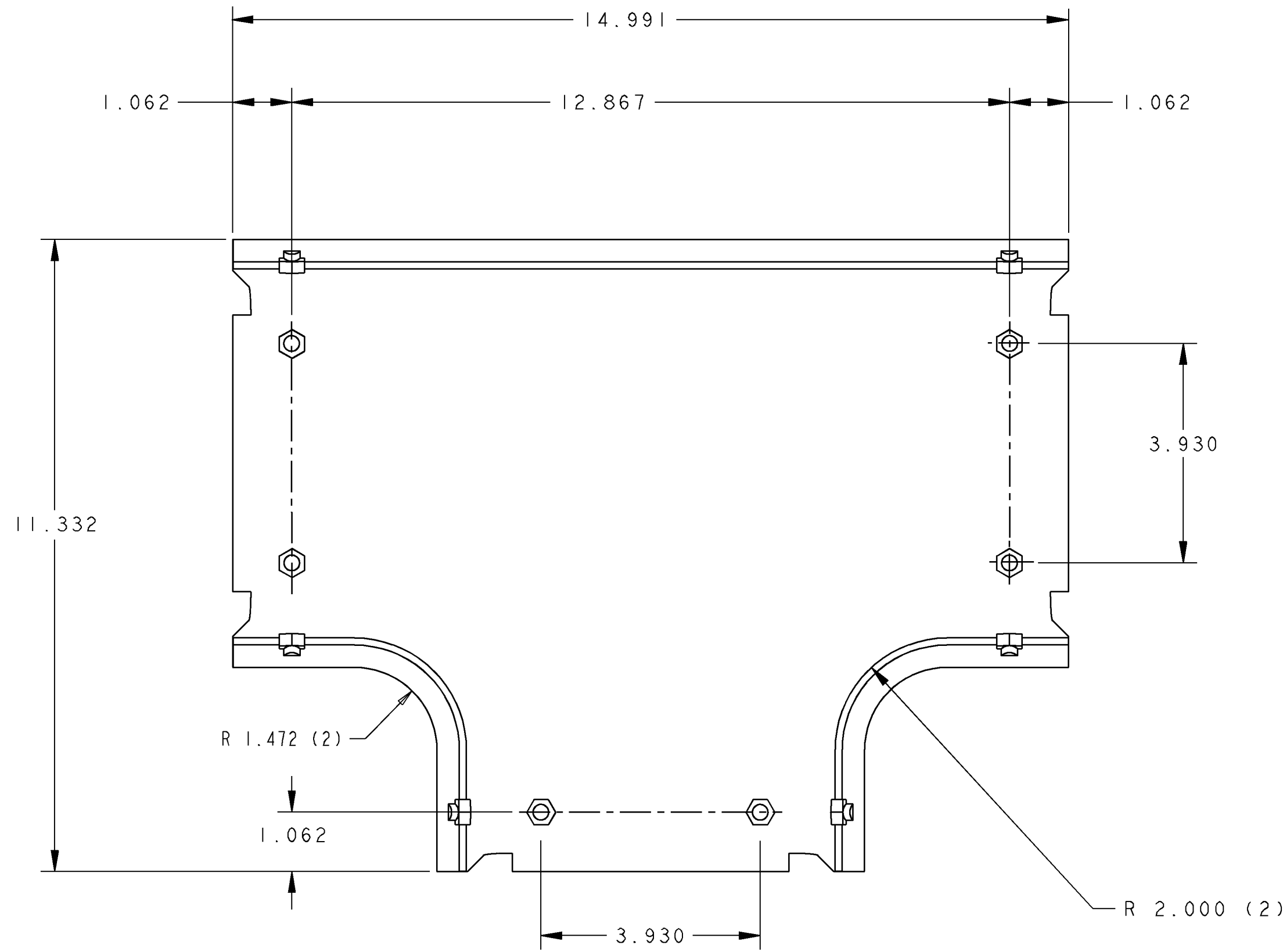


REV	MCO	DWN	DATE
A	96430	MV	19-FEB-92
B	20235601	GRL	12-MAR-08



NOTES:

- MATERIAL IS SELF EXTINGUISHING WITH A UL 94 RATING OF V-0.
- COVERED BY U.S. PATENT NO.321,862. ISSUE DATE : NOVEMBER, 26, 1991.

FGSB-MHRT-B	BLACK
FGSP-MHRT-B	PUTTY
FGSO-MHRT-B	ORANGE
FGS-MHRT-B	YELLOW
CATALOG NO.	COLOR



INFORMATION ON THIS DOCUMENT IS PROPRIETARY TO ADC AND SHALL NOT BE USED, COPIED, REPRODUCED OR DISCLOSED IN WHOLE OR IN PART WITHOUT WRITTEN CONSENT OF ADC.

ALL DIMS AND TOLERANCES ARE INCHES UNLESS OTHERWISE SPECIFIED

.XX:±.02
.XXX:±.010
ANGULAR:± 2°

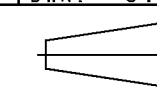
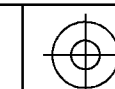
DO NOT SCALE DRAWING

ENGR: R. HENNEBERGER
DWN: S. CARRINGER

TITLE: HORIZONTAL T
4X6
INSTALLATION DRAWING

DRAWING NUMBER: 4-29000-0078

SHT. 1 OF 1



DIMENSIONS IN INCHES
THIRD ANGLE PROJECTION