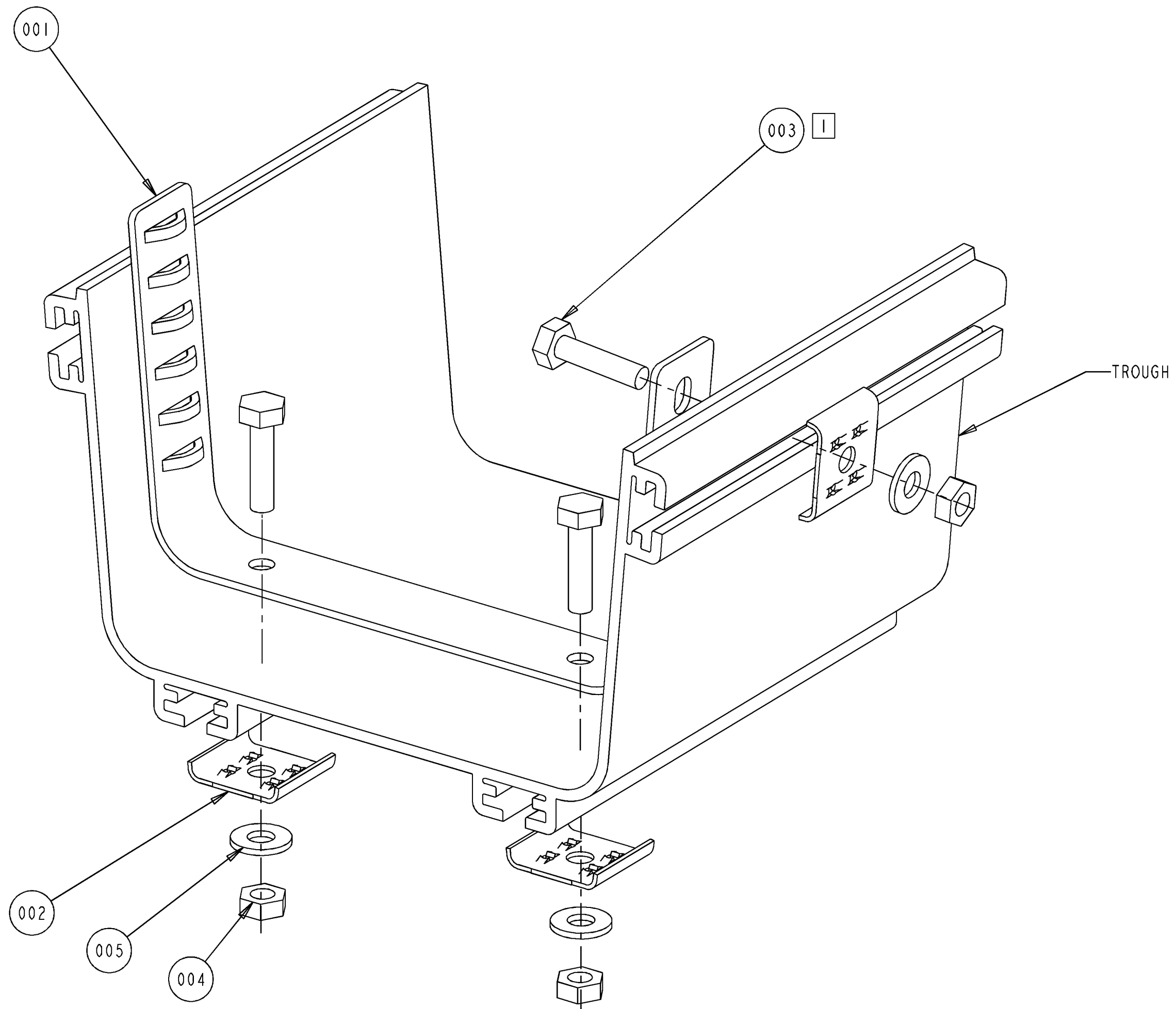


REV	ECO	DWN	DATE
A	20007952	EFS	15-JULY-99
-	-----	---	-----



PARTS LIST		
F/N	QTY	DESCRIPTION
001	1	BRACKET
002	3	RETAINER WASHER
003	3	BOLT 1/4 -20 X 1
004	3	NUT 1/4-20
005	3	WASHER 1/4 LOCK

- NOTES:
- USE F/N 001 AS TEMPLATE TO DRILL (3) .265 DIA. HOLES IN TROUGH FOR F/N 003.
 - MOUNT F/N 001 WITH SLOT ON HINGE SIDE OF TROUGH.



INFORMATION ON THIS DOCUMENT IS PROPRIETARY TO ADC AND SHALL NOT BE USED, COPIED, REPRODUCED OR DISCLOSED IN WHOLE OR IN PART WITHOUT WRITTEN CONSENT OF ADC.

TOLERANCE UNLESS OTHERWISE SPECIFIED .XX: ±N/A .XXX: ±N/A ANGULAR: ±N/A

DO NOT SCALE DRAWING

CAT # FGS-HIFC-B	
TITLE KIT, IFC 4X6 BRACKET (INSTALLATION DRW.)	DRAWING NUMBER 1067269
ENGR: JIM BRANDT DWN: ED SANSONE	SHT. 1 OF 1