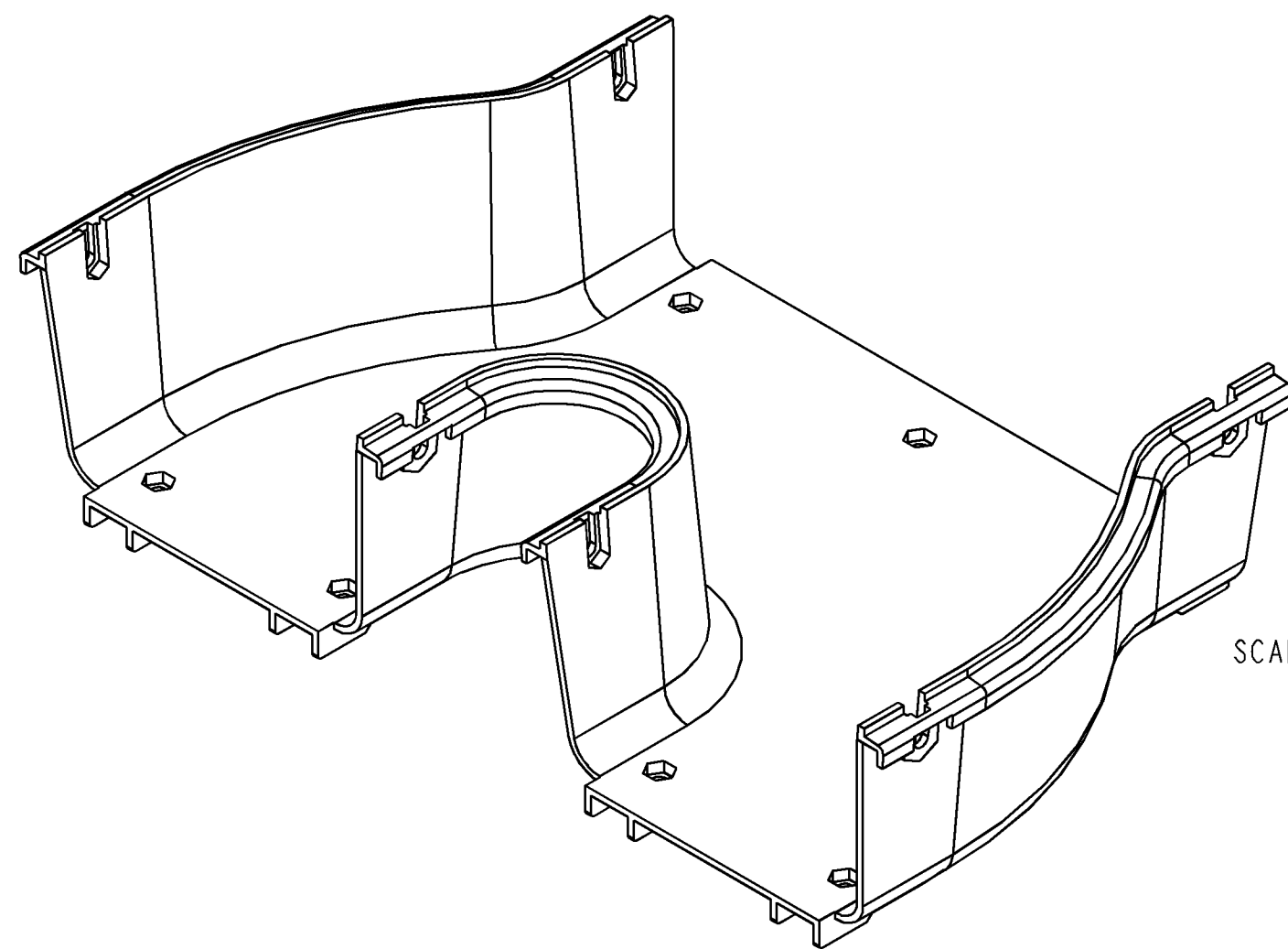
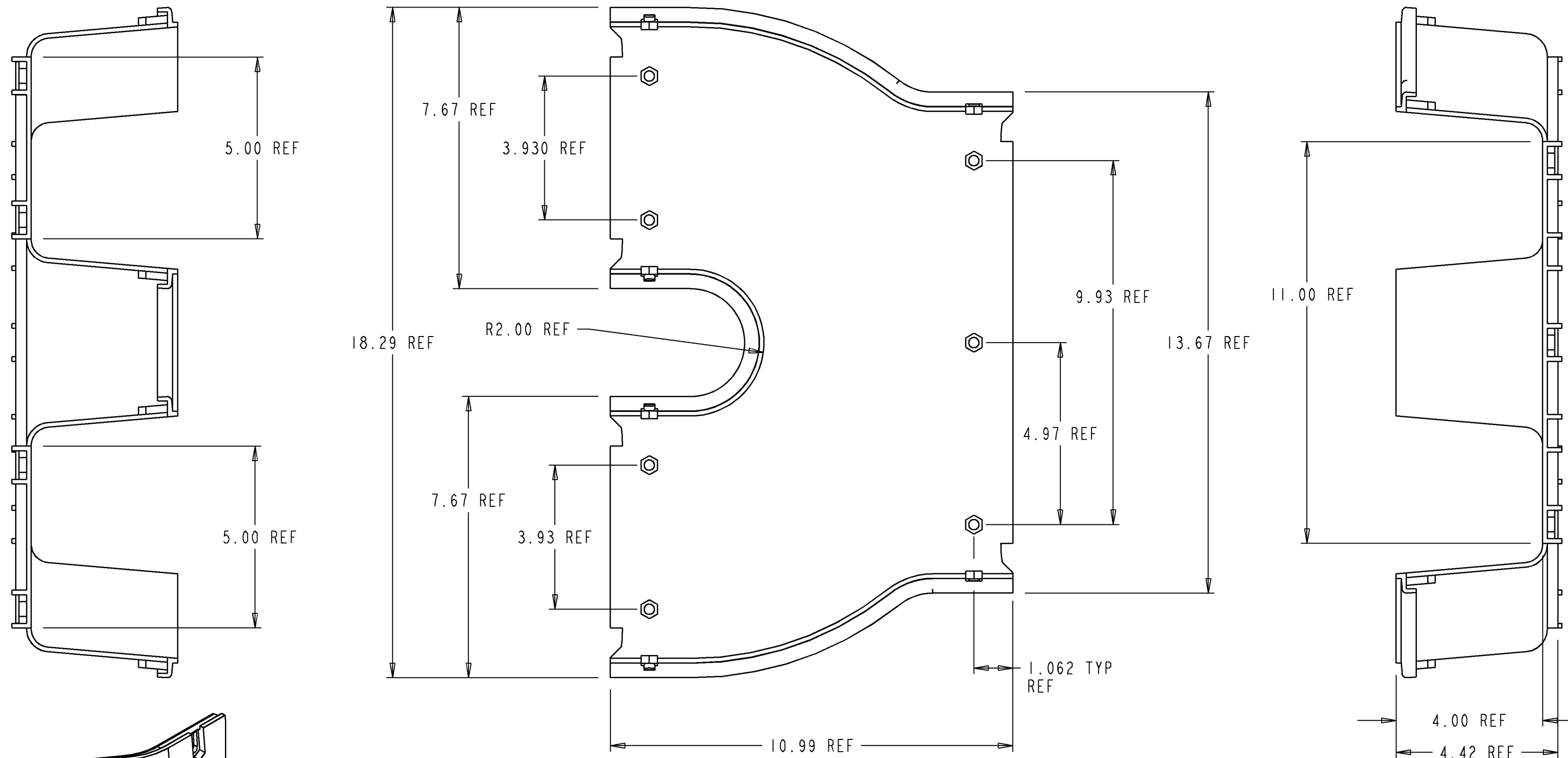


REV	MCO	DWN	DATE
A	20019792	TH	12/28/98
B	20238949	AED	29-APR-08



SCALE 0.380

NOTES:

1. MATERIAL IS SELF EXTINGUISHING WITH A UL 94 RATING OF V-0.



INFORMATION ON THIS DOCUMENT IS PROPRIETARY TO ADC AND SHALL NOT BE USED, COPIED, REPRODUCED OR DISCLOSED IN WHOLE OR IN PART WITHOUT WRITTEN CONSENT OF ADC.

ALL DIMS AND TOLERANCES .XX:±N/A ARE INCHES UNLESS .XXX:±N/A OTHERWISE SPECIFIED ANGULAR:±N/A

DO NOT SCALE DRAWING

ENGR: T. HAATAJA
DWN: T. HAATAJA

TITLE
ADAPTER, 12 TO DUAL 6
INSTALLATION DWG

C SIZE	DRAWING NUMBER 1044494	B REV
-----------	---------------------------	----------

SHT. 1 OF 1

CATALOG NO.	COLOR
FGS-MDSA-F2B	YELLOW
FGSO-MDSA-F2B	ORANGE
FGSB-MDSA-F2B	BLACK

DIMENSIONS IN INCHES
THIRD ANGLE PROJECTION