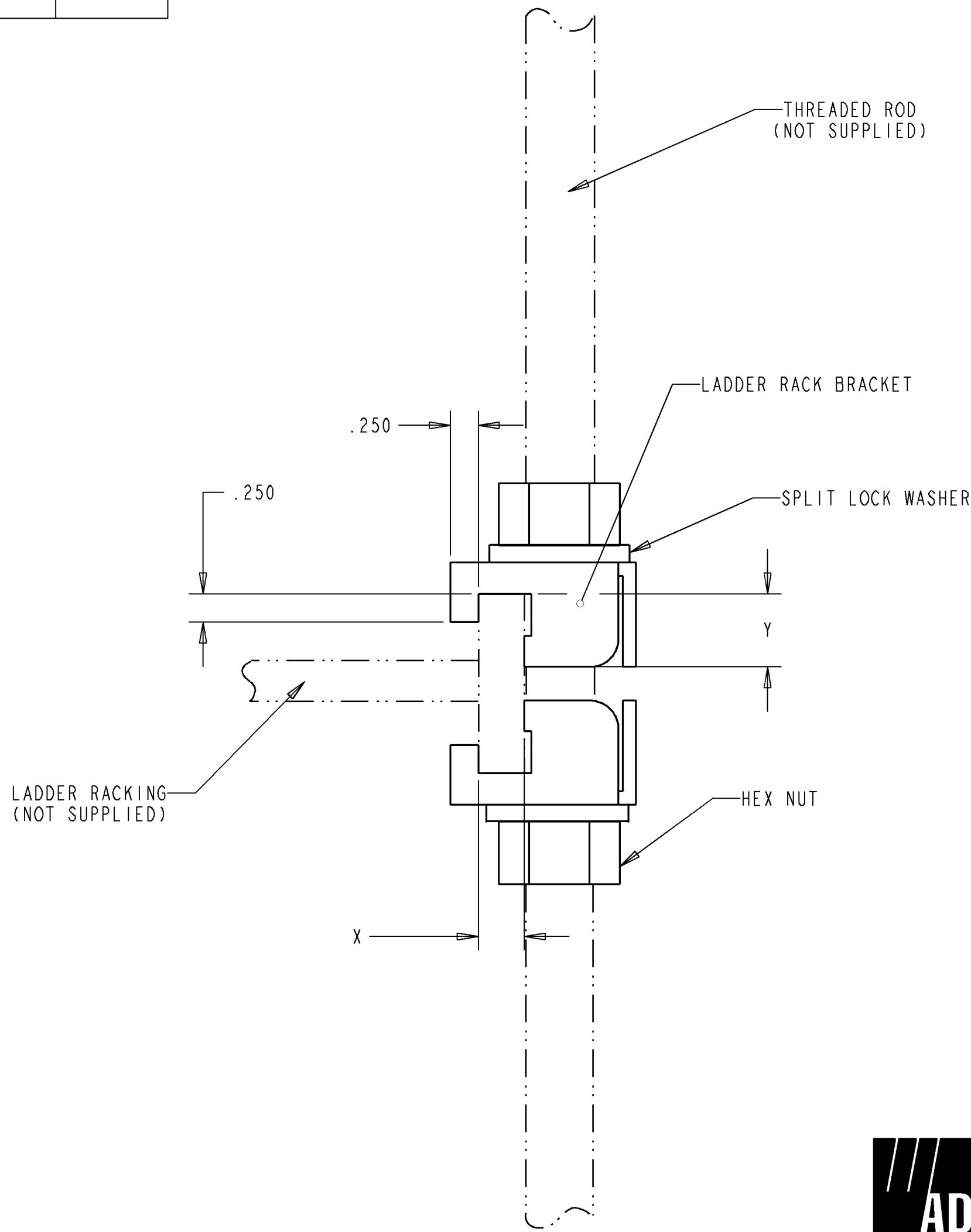
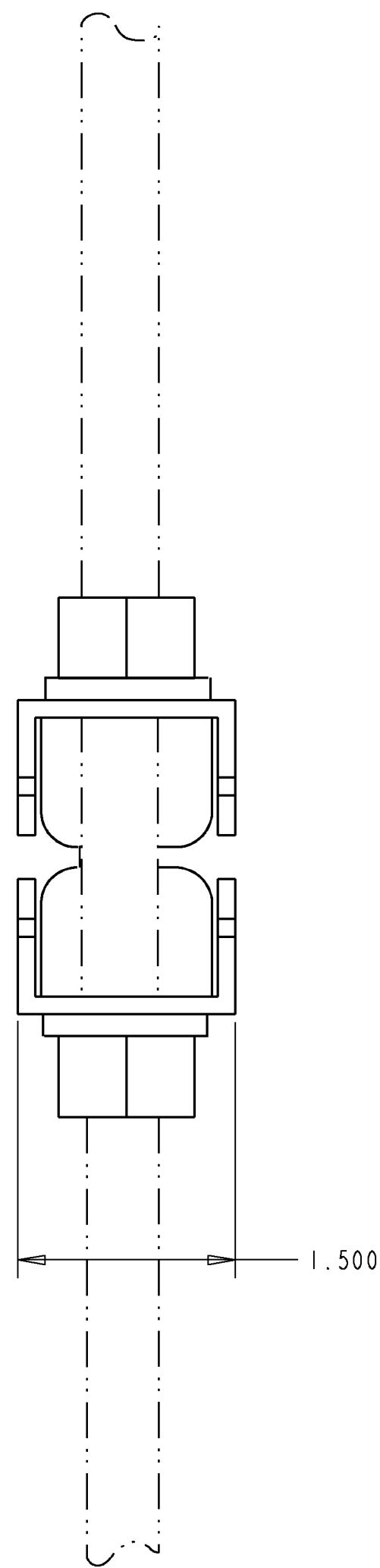
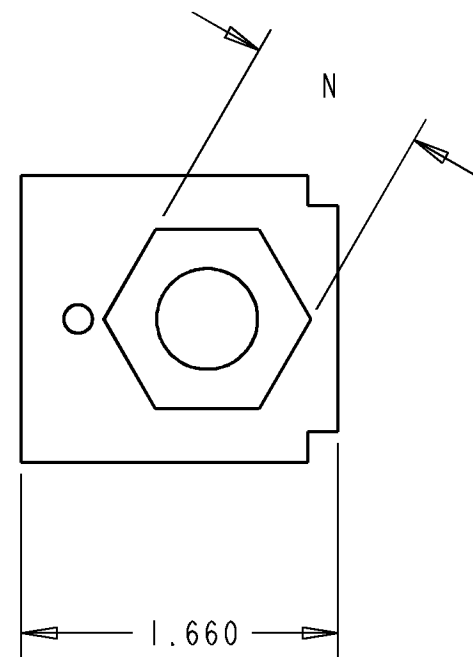


FGS-HLDR-16MM-2	16MM	1.25	24MM	.855
FGS-HLDR-5/8-2	5/8"	.375	.94	.73
FGS-HLDR-1/2	1/2"	.375	.75	.73
FGS-HLDR-5/8	5/8"	.375	.94	.73
FGS-HLDR-12MM	12MM	.375	19MM	.73
FGS-HLDR-14MM	14MM	.375	22MM	.73
FGS-HLDR-16MM	16MM	.375	24MM	.73
FGS-HLDR-A	5/8"	.410	.94	.73
ADC CATALOG	THREAD ROD SIZE	"X" DIM	"N" REF DIM	"Y" DIM

REV	ECO	DWN	DATE
B	20102336	SV	05-OCT-01
C	20123589	JARROD	23-JUL-02



PARTS LIST	
PART	QTY
BRACKETS	2
WASHERS	2
NUTS	2



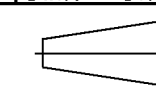
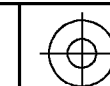
INFORMATION ON THIS DOCUMENT IS PROPRIETARY TO ADC AND SHALL NOT BE USED, COPIED, REPRODUCED OR DISCLOSED IN WHOLE OR IN PART WITHOUT WRITTEN CONSENT OF ADC.

ALL DIMS AND TOLERANCES ARE INCHES UNLESS OTHERWISE SPECIFIED

TITLE FIBERGUIDE LADDER RACK INST DWG

DO NOT SCALE DRAWING ENGR: KEVIN HRUBY DWN: CRAIG ZELASKO

DRAWING NUMBER 1126151 SHT. 1 OF 1



DIMENSIONS IN INCHES
THIRD ANGLE PROJECTION