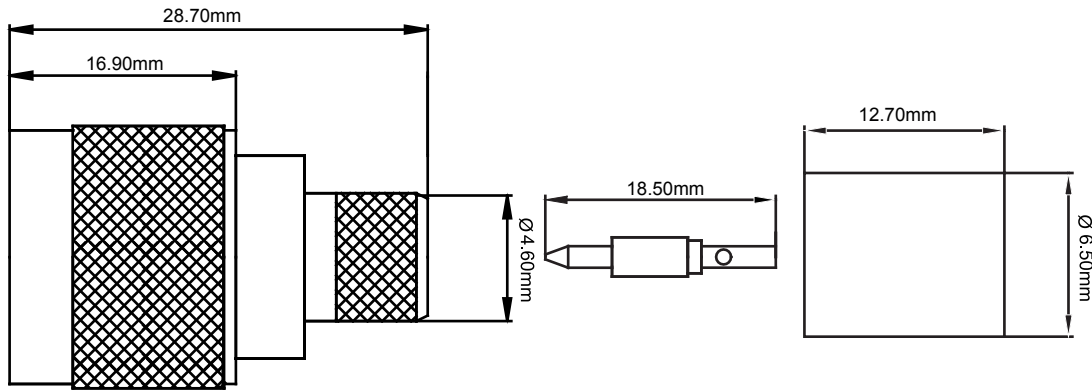


N Type Plug Crimp Connector

For RG142, RG223, RG400
308-709



Electrical

Impedance	50 ohms
Interface Frequency	DC to 6 GHz
Working Voltage	1500V RMS Maximum
Dielectric Withstanding	2500V RMS Maximum

Durability

Cable Retention	500 Mating Cycles
Temperature Range	Typically equal to breaking strain of cable
Crimp Hex Sizes	-65 to +165 Degrees Centigrade
Recommended Crimp Tools	Ferrule: 5.41mm Hex, Contact: 1.69mm Hex.
	DCC1113

Body

Pin	Brass, Tri-Alloy Plated
Ferrule	Brass, Gold Plated
Dielectric	Brass, Tri-Alloy Plated
	PTFE

Strip Dimensions	A	B	C
mm	8	2	4

