

REV	ECO	DWN	DATE
A	98406	MV	10-27-92
B	99342	MV	01-13-92

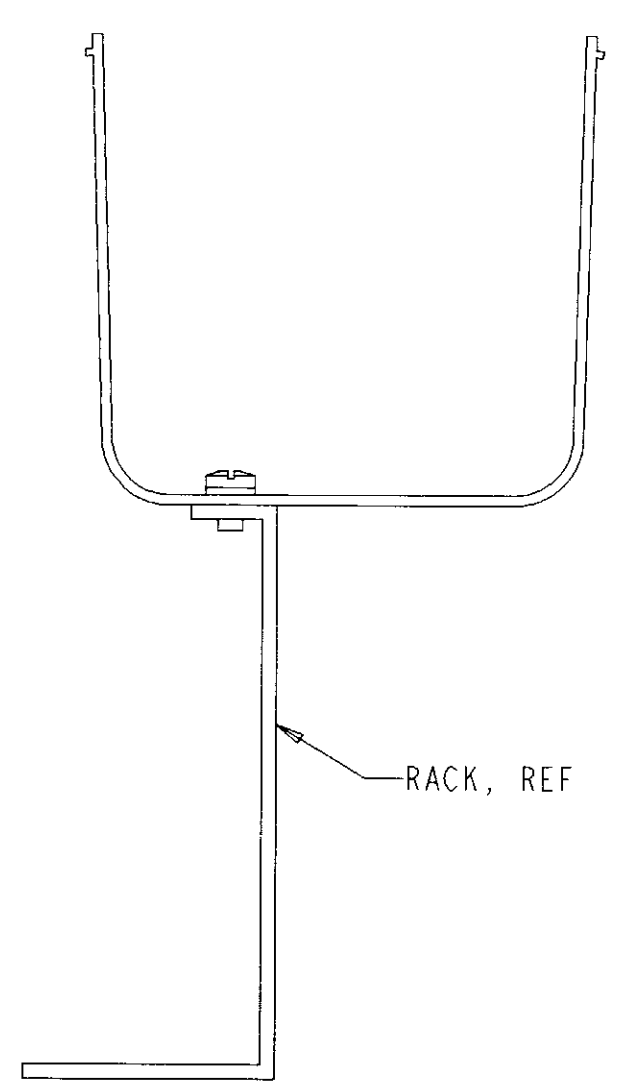
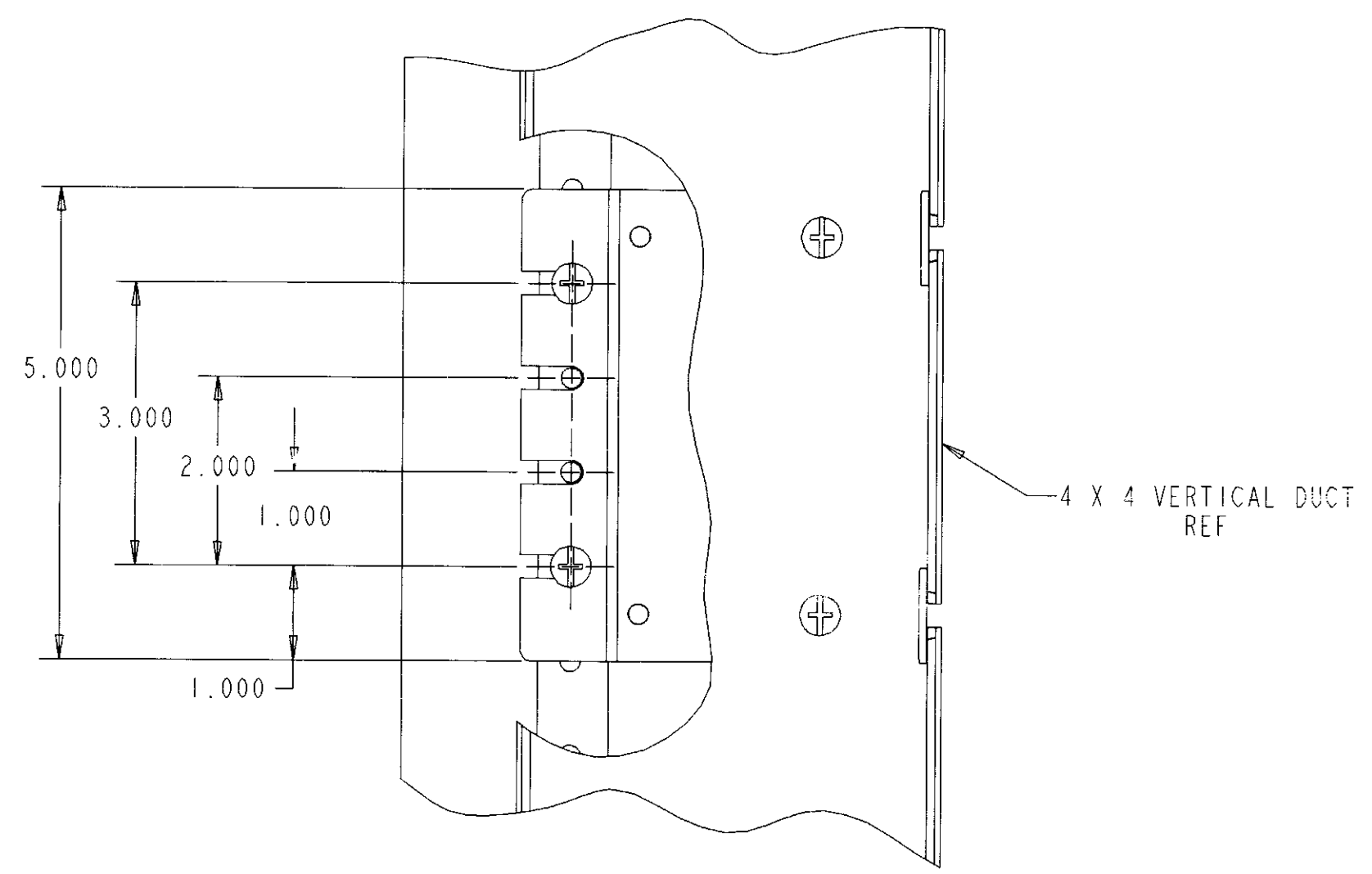


FIGURE 2
4 X 4 VERTICAL DUCT MOUNTED
DIRECTLY TO RACK

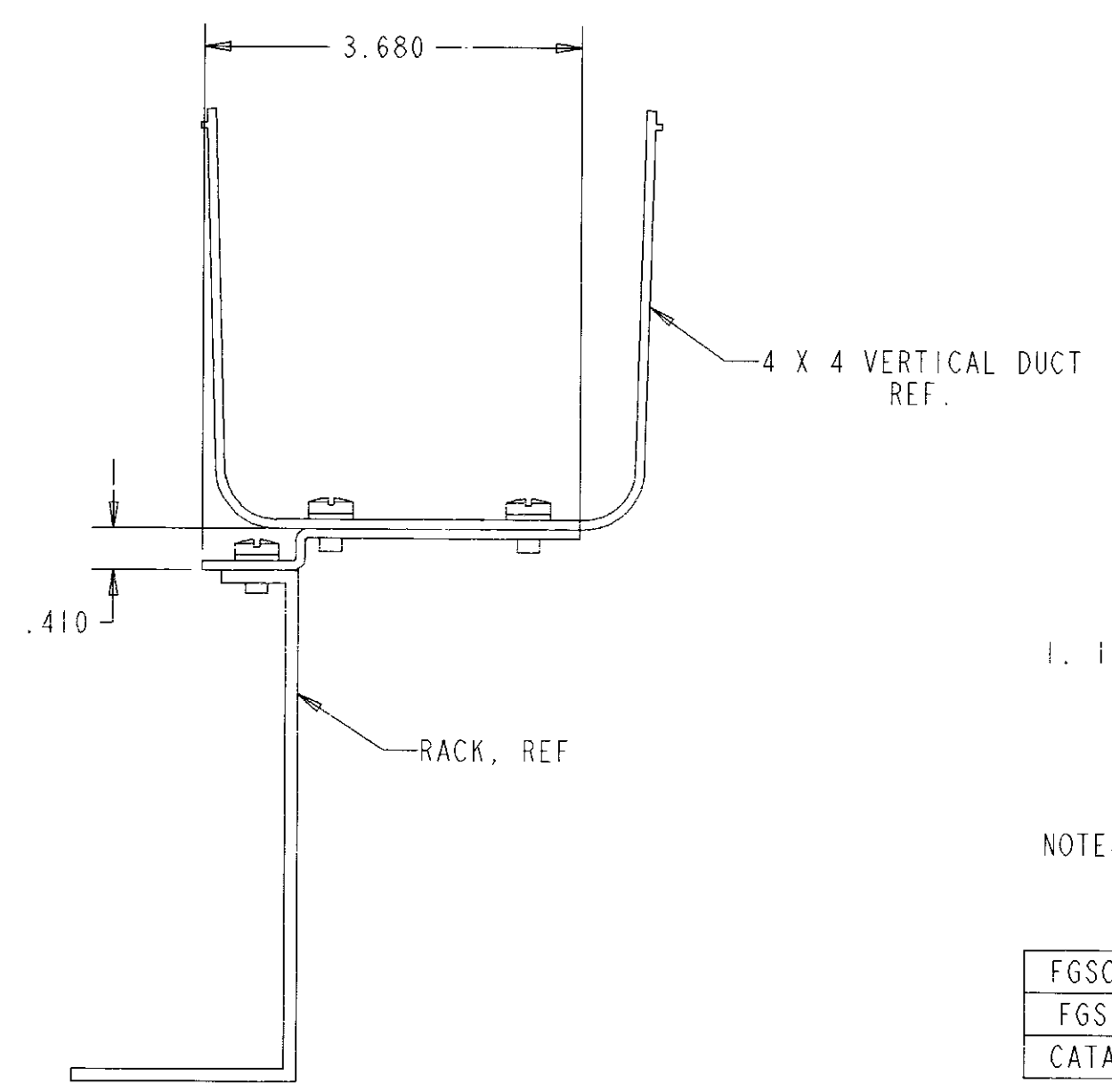
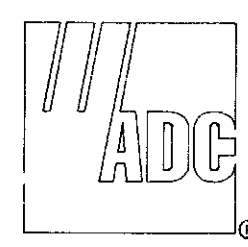


FIGURE 1
4 X 4 VERTICAL DUCT MOUNTED TO
RACK USING MOUNTING BRACKETS

1. ITEMS INCLUDED WITH KIT:
- (1) WECO MOUNTING BRACKET
 - (6) SCREW 12-24
 - (6) FLATWASHER #12

NOTES:

FGSO-HWMB-D	ORANGE
FGS-HWMB-D	YELLOW
CATALOG NO.	COLOR



INFORMATION ON THIS DOCUMENT IS PROPRIETARY TO ADC AND SHALL NOT BE USED, COPIED, REPRODUCED OR DISCLOSED IN WHOLE OR IN PART WITHOUT WRITTEN CONSENT OF ADC.		TITLE FG WECO VERT. GUIDE BRACKET KIT (INST. DRW)	
TOLERANCE UNLESS OTHERWISE SPECIFIED:	.XX: REF .XXX: REF ANGULAR: REF	C SIZE	DRAWING NUMBER 4-29000-2393
DO NOT SCALE DRAWING		ENGR: BRUCE MUSOLF DWN: MICHAEL VILLAS	B REV
			SHT. 1 OF 1