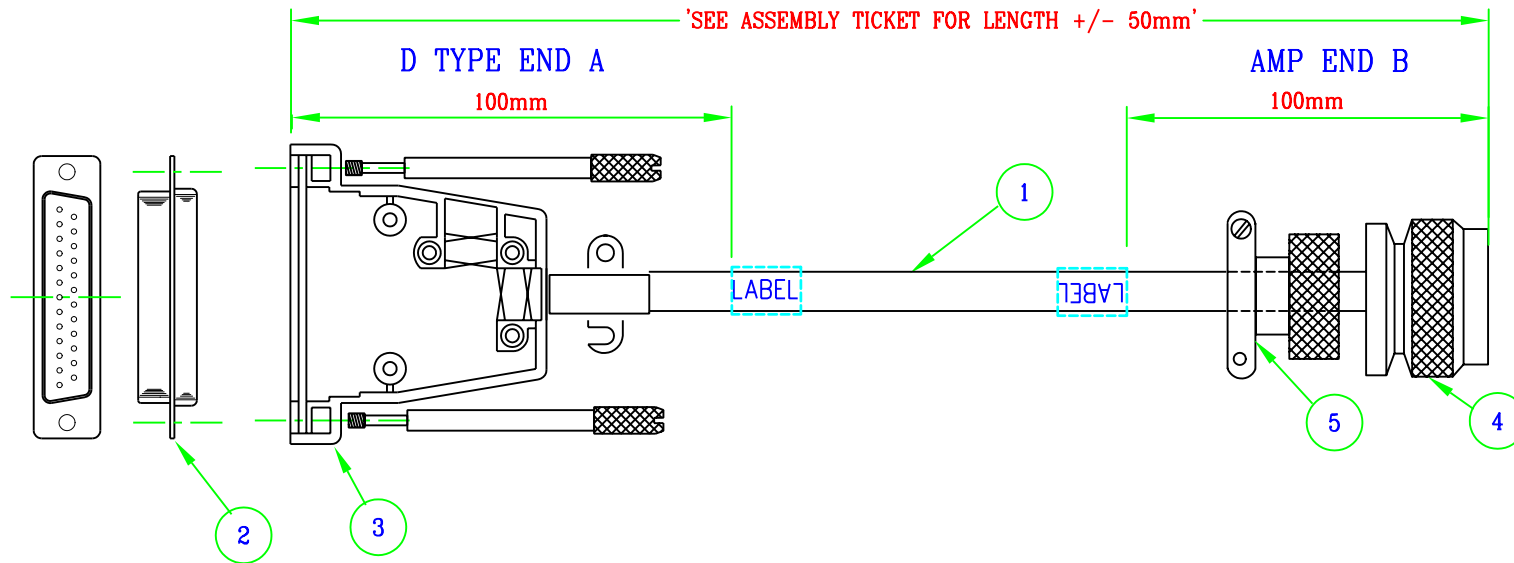


25 Way D Type Plug - Amphenol Type 2 Using 6 Pair LSOH

145-609



PARTS LIST

ITEM No	FCA	DESCRIPTION	QTY
1		6 PAIR LSF WHITE SHEATHED CABLE	A/R
2		25 WAY D TYPE PLUG	1
3		25 WAY D TYPE PLASTIC HOOD	1
4		AMPHENOL TYPE 2 CONNECTOR - 62GB-56T14-19PN	1
5		BACKSHELL FOR AMPHENOL CONNECTOR - 62GB-585-14-19P	1

WIRE LIST

25 WAY D-TYPE MALE - AMPHENOL CONNECTOR			
D TYPE END A	PIN No	AMP END B	PIN No
N/C	1	WHITE/brown	A
WHITE/blue	2	BROWN/white	B
WHITE/green	3	WHITE/orange	C
N/C	4	ORANGE/white	D
N/C	5	WHITE/blue	E
N/C	6	BLUE/white	F
N/C	7	WHITE/green	G
N/C	8	GREEN/white	H
BROWN/white	9	WHITE/grey	J
N/C	10	GREY/white	K
GREY/white	11	N/C	L
ORANGE/white	12	N/C	M
N/C	13	N/C	N
BLUE/white	14	N/C	O
WHITE/orange	15	N/C	P
GREEN/white	16	N/C	Q
WHITE/brown	17	N/C	R
N/C	18	N/C	S
N/C	19	GROUND/SCREEN	T
N/C	20	N/C	
N/C	21	N/C	
N/C	22	N/C	
N/C	23	N/C	
WHITE/grey	24	N/C	
N/C	25	N/C	