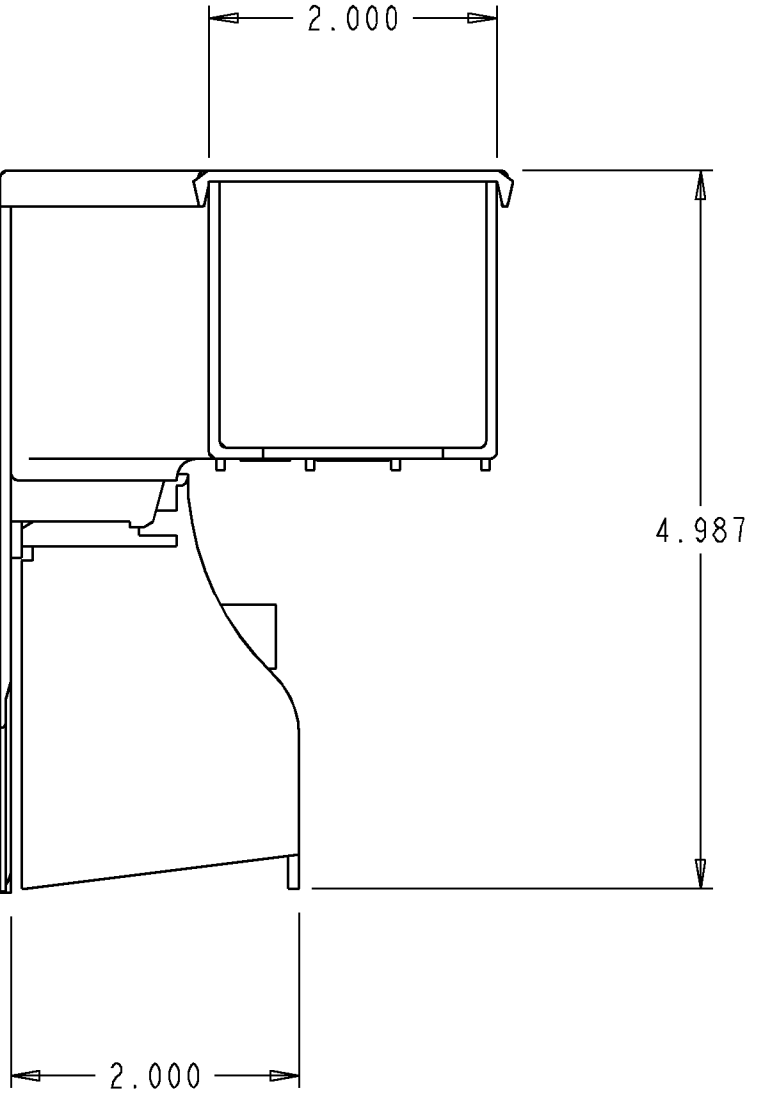
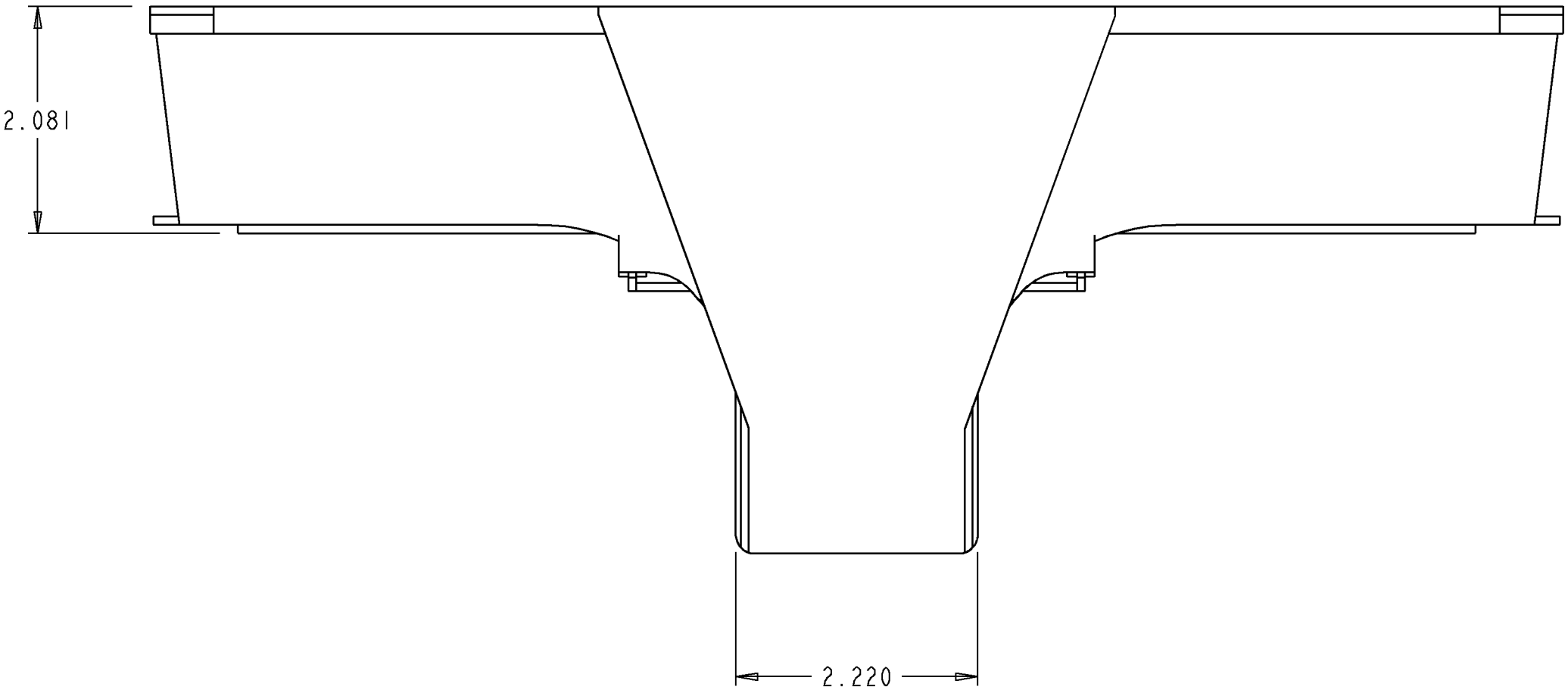
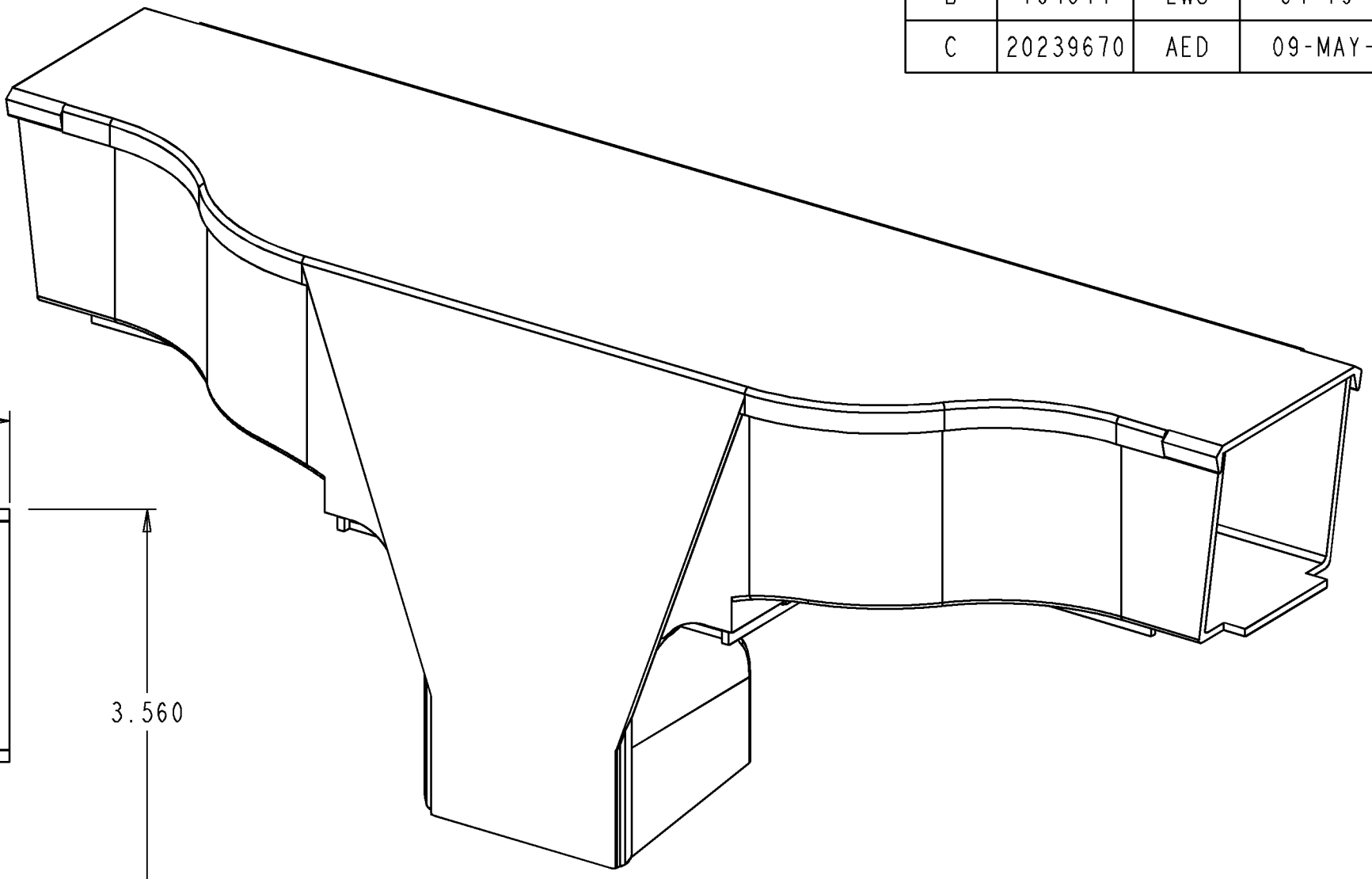
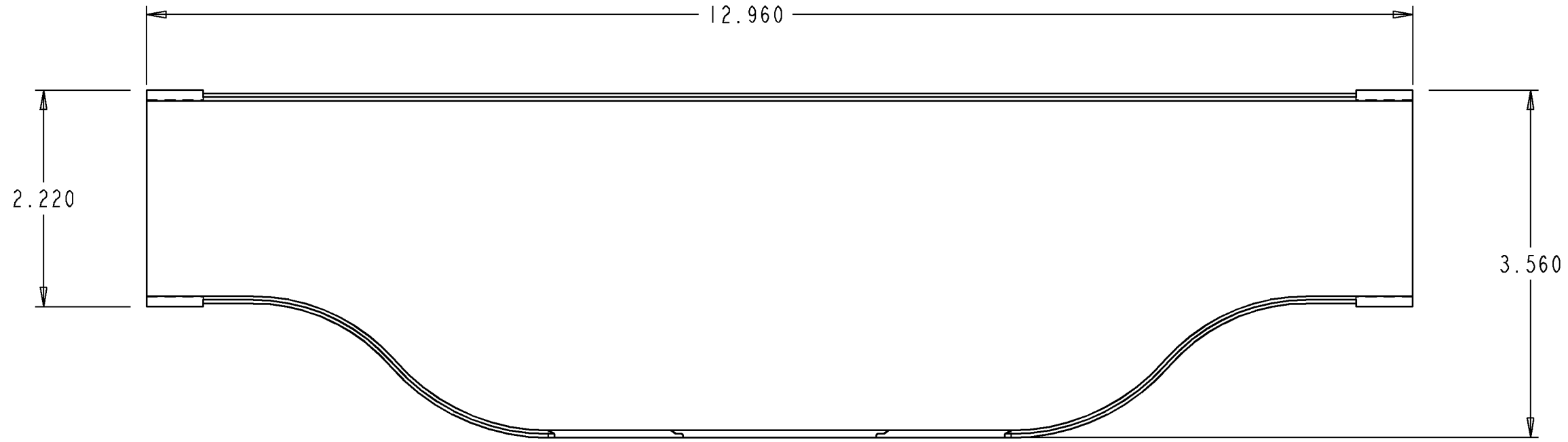


REV	MCO	DWN	DATE
B	104644	LWG	04-19-94
C	20239670	AED	09-MAY-08



FGSB-MSDS-C	BLACK
FGSP-MSDS-C	PUTTY
FGSO-MSDS-C	ORANGE
FGS-MSDS-C	YELLOW
CATALOG NUMBER	COLOR

NOTES:
 1. ALL COMPONENTS OF THIS ASSEMBLY ARE EXTINGUISHING WITH A UL 94 RATING OF V-0.



INFORMATION ON THIS DOCUMENT IS PROPRIETARY TO ADC AND SHALL NOT BE USED, COPIED, REPRODUCED OR DISCLOSED IN WHOLE OR IN PART WITHOUT WRITTEN CONSENT OF ADC. ALL DIMS AND TOLERANCES ARE INCHES UNLESS OTHERWISE SPECIFIED .XX:±REF .XXX:±REF ANGULAR:±REF	TITLE	FIBERGUIDES 2" DOWNSPOUT INST. DWG.	
	C SIZE	DRAWING NUMBER	C REV
DO NOT SCALE DRAWING	ENGR: R. HENNEBERGER DWN: D. CARPENTER	4-29000-2296	SHT. 1 OF 1

**DIMENSIONS IN INCHES
 THIRD ANGLE PROJECTION**