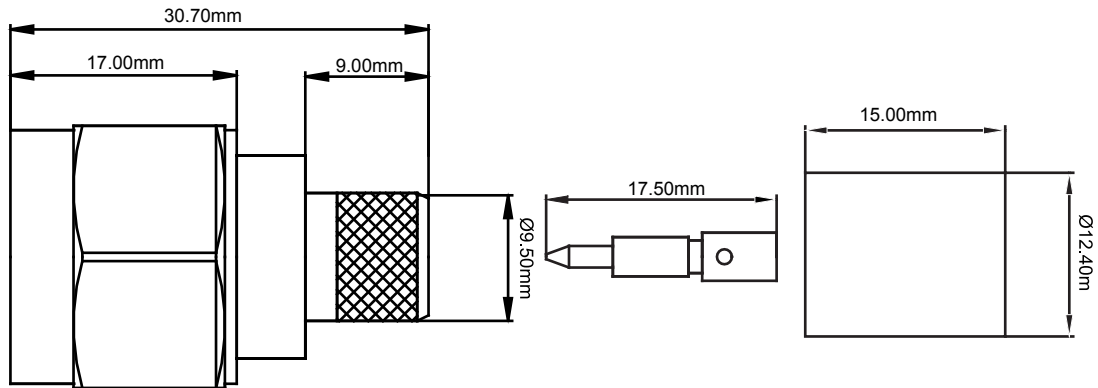


N Type Plug Crimp Connector (Hex Nut)

For LMR400, GBC400, Belden 9913, RG8 Cables

308-711



Electrical

Impedance	50 ohms
Interface Frequency	DC to 11 GHz
Working Voltage	1500V RMS Maximum
Dielectric Withstanding	2500V RMS Maximum

Durability	500 Mating Cycles
Cable Retention	Typically equal to breaking strain of cable
Temperature Range	-65 to +165 Degrees Centigrade
Crimp Hex Sizes	Ferrule: 10.90mm Hex, Contact: 2.95mm Hex.
Recommended Crimp Tools	CCC2561-1 (T/LMR400)

Body	Brass, Tri-Alloy Plated
Pin	Brass, Gold Plated
Ferrule	Brass, Tri-Alloy Plated
Dielectric	PTFE

Strip Dimensions	A	B	C
mm	8	4	4

