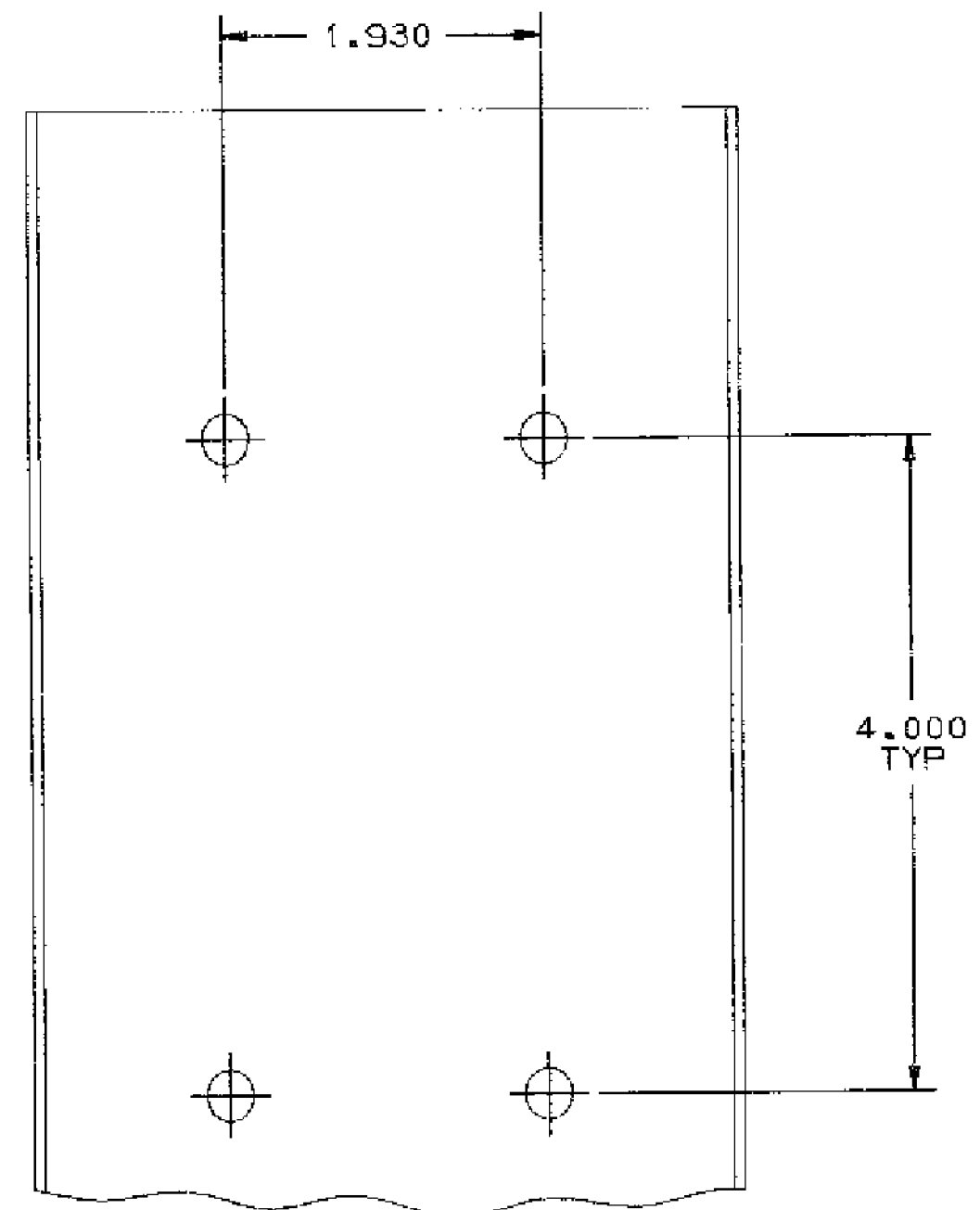
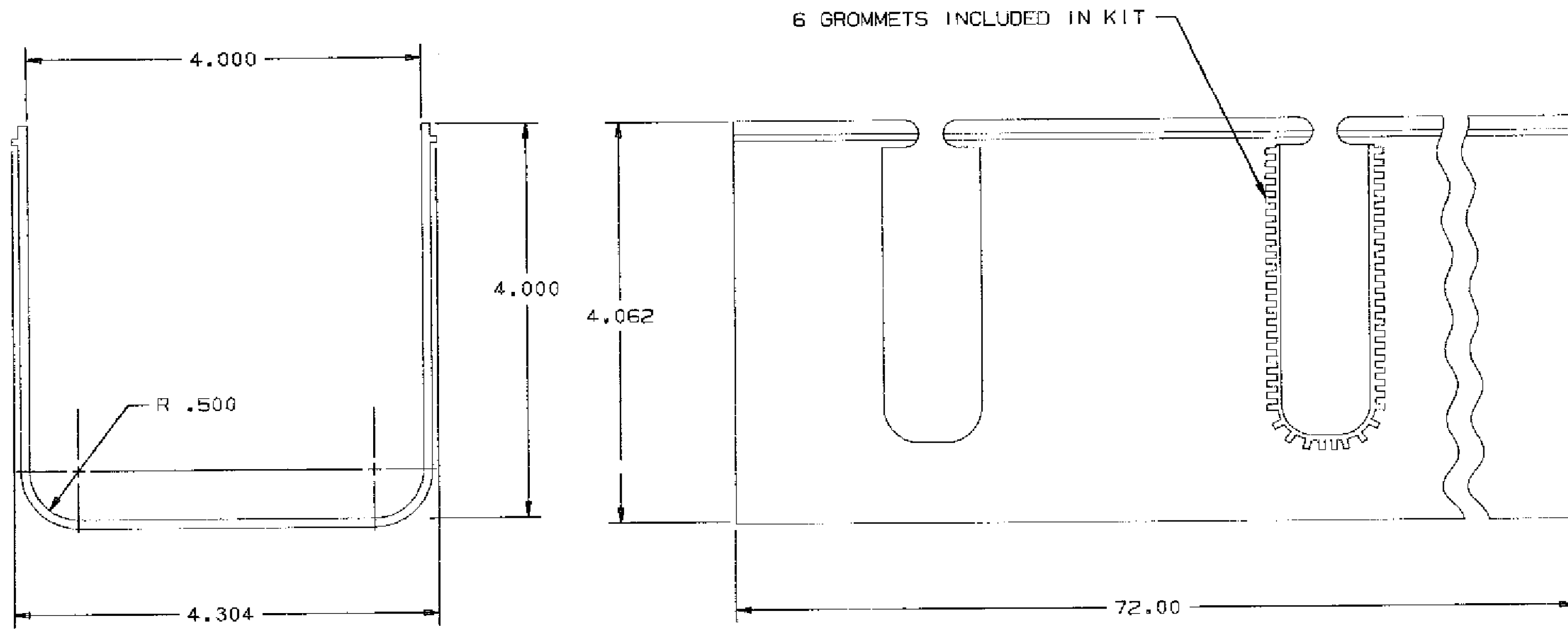


REV	MCO	DWN	DATE
A	96430	MV	24-FEB-92
B	20240485	OCM	21-MAY-08



1. MATERIAL IS SELF EXTINGUISHING WITH A UL-94 RATING OF V-0.

NOTES:

FGSB-MSHS-D	BLACK
FGDP-MSHS-D	PUTTY
FGSO-MSHS-D	ORANGE
FGS-MSHS-D	YELLOW
CATALOG NO.	COLOR



INFORMATION ON THIS DOCUMENT IS PROPRIETARY TO ADC AND SHALL NOT BE USED, COPIED, REPRODUCED, OR DISCLOSED IN WHOLE OR IN PART WITHOUT WRITTEN CONSENT OF ADC.

ALL DIMS AND TOLERANCES ARE INCHES UNLESS OTHERWISE SPECIFIED

XX:±N/A
XXX:±N/A
ANGULAR:±N/A

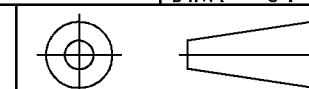
TITLE: FIBERGUIDE 4X4 VERT. EXTRUSION INSTALLATION DRAWING

DRAWING NUMBER: 4-29000-2578

ENGR: T. DUNCAN
DWN: J. MARQUEZ

SHT. 1 OF 1

DO NOT SCALE DRAWING



DIMENSIONS IN INCHES
THIRD ANGLE PROJECTION