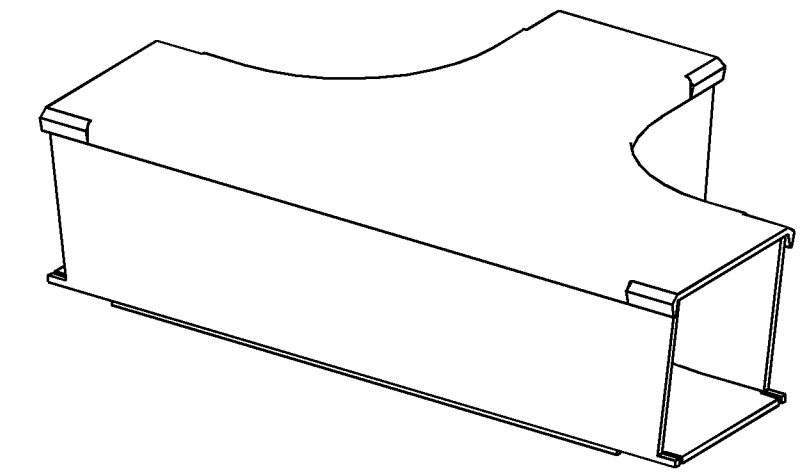
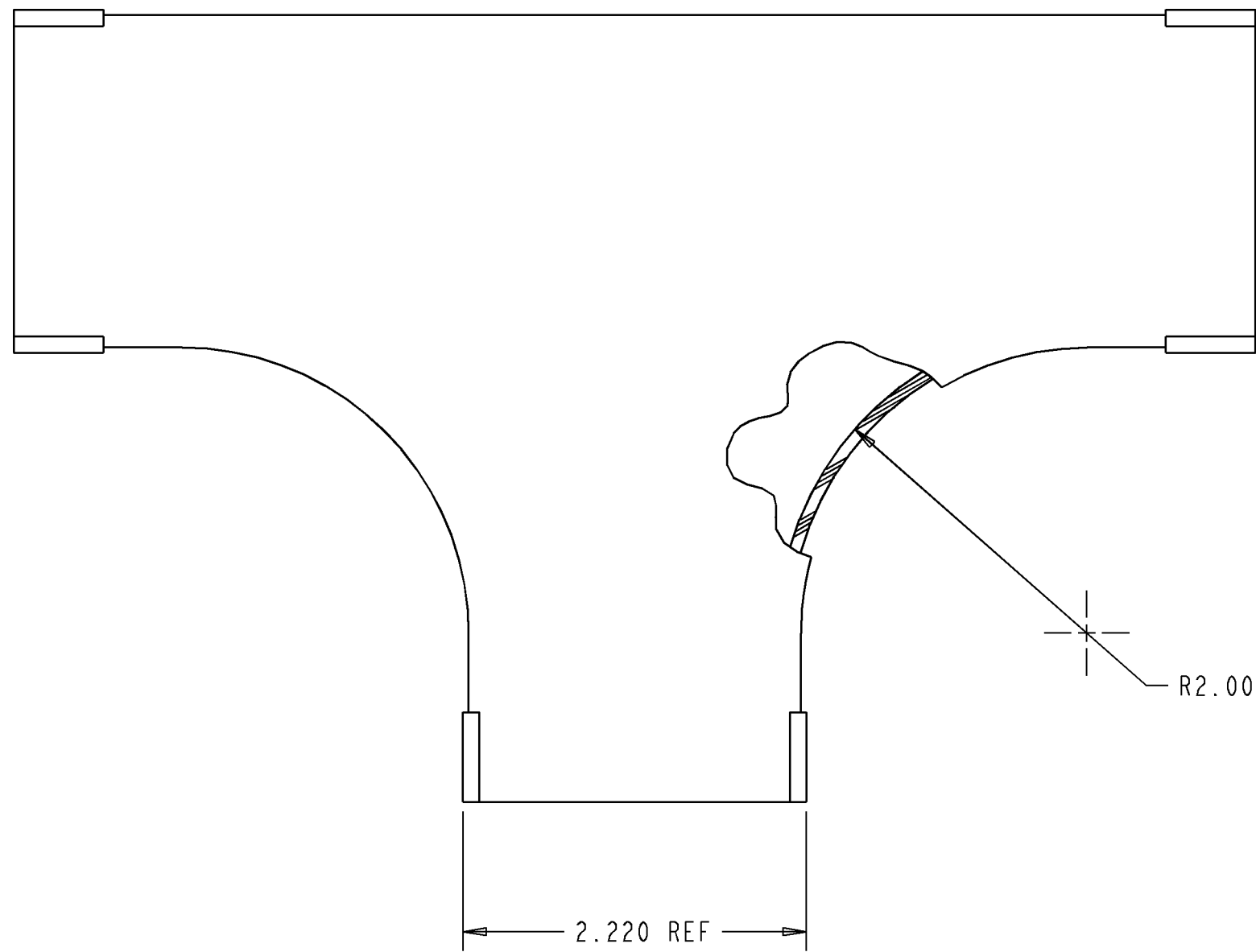
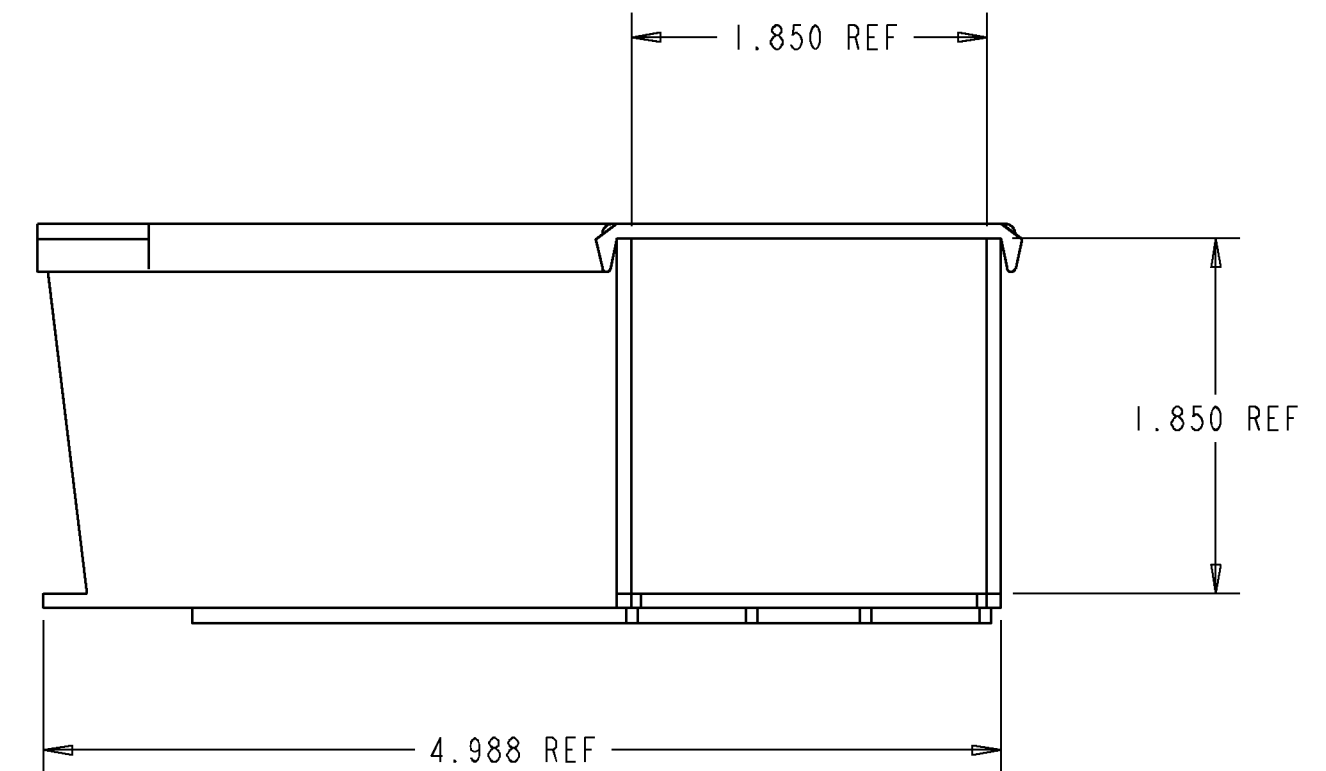
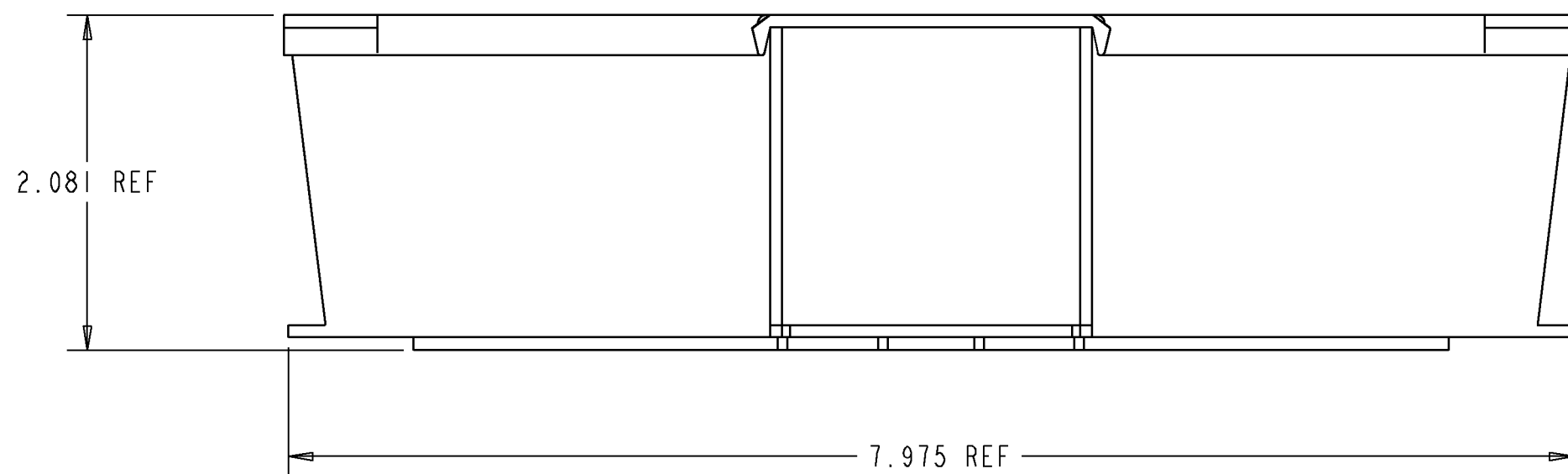


REV	ECO	DWN	DATE
B	20150996	RJO	26-MAY-04
C	20239114	AED	01-MAY-08



SCALE 0.500



FGSB-MHTA-C	BLACK
FGSG-MHTA-C	GRAY
FGSP-MHTA-C	PUTTY
FGSO-MHTA-C	ORANGE
FGS-MHTA-C	YELLOW
CATALOG NO.	COLOR

NOTES:

1. MATERIAL IS SELF EXTINGUISHING WITH A UL 94 TATING OF V-0.



INFORMATION ON THIS DOCUMENT IS PROPRIETARY TO ADC AND SHALL NOT BE USED, COPIED, REPRODUCED, OR DISCLOSED IN WHOLE OR IN PART WITHOUT WRITTEN CONSENT OF ADC.		TITLE FIBERGUIDES COVERED HORIZONTAL "T" INSTALLATION DRAWING	
ALL DIMS AND TOLERANCES ARE INCHES UNLESS OTHERWISE SPECIFIED	.XX:±N/A .XXX:±N/A ANGULAR:±N/A	C SIZE	DRAWING NUMBER 4-29000-3028
DO NOT SCALE DRAWING	ENGR: R. HENNEBERGER DWN: D. CARPENTER	SHT. 1 OF 1	

DIMENSIONS IN INCHES  
THIRD ANGLE PROJECTION