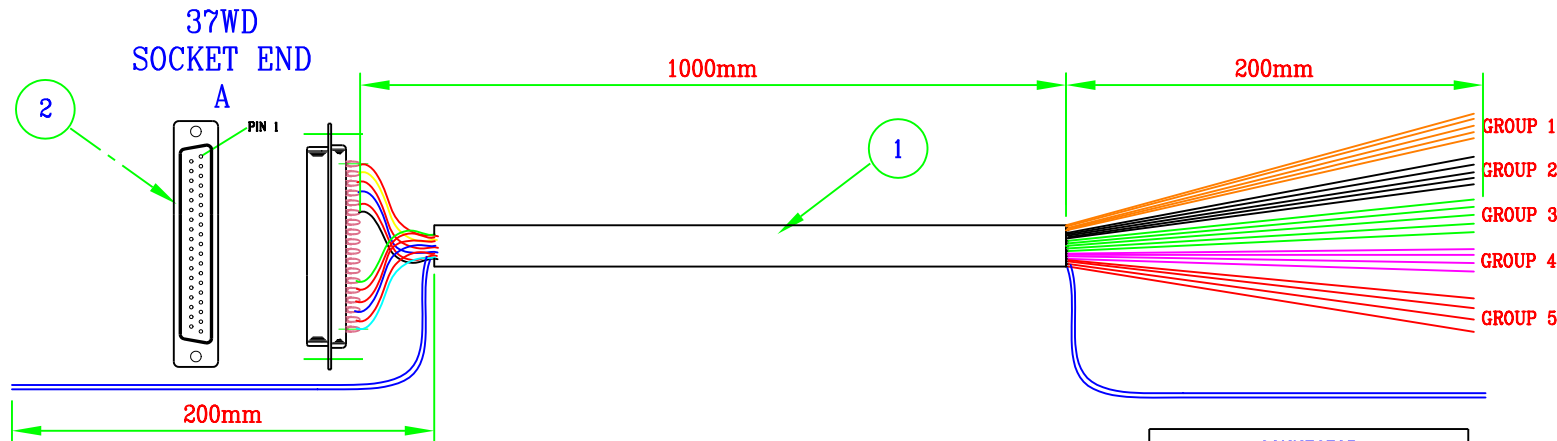


37 Way D Type Plug Open Ended Using 25 Pair 120 ohm No Shell

148-144



PARTS LIST

ITEM No	FCA	DESCRIPTION	QTY
1		25 PAIR 120 ohm FOIL SCREENED CABLE	A/R
2		37 WAY D TYPE SOCKET	1
3		HEATSHRINK SLEEVE	A/R
4		SMALL TIE WRAP	6

CONNECTOR	
PIN No	WIRE COLOUR
1	BLUE/WHITE
2	WHITE/BLUE
3	ORANGE/WHITE
4	WHITE/ORANGE
5	GREEN/WHITE
6	WHITE/GREEN
7	BROWN/WHITE
8	WHITE/BROWN
9	GREY/WHITE
10	WHITE/GREY
11	BLUE/RED
12	RED/BLUE
13	ORANGE/RED
14	RED/ORANGE
15	GREEN/RED
16	RED/GREEN
17	BROWN/RED
18	RED/BROWN
19	GREY/RED
	GROUND TO BODY

CONNECTOR	
PIN No	WIRE COLOUR
20	RED/GREY
21	BLUE/BLACK
22	BLACK/BLUE
23	ORANGE/BLACK
24	BLACK/ORANGE
25	GREEN/BLACK
26	BLACK/GREEN
27	BROWN/BLACK
28	BLACK/BROWN
29	GREY/BLACK
30	BLACK/GREY
31	BLUE/YELLOW
32	YELLOW/BLUE
33	ORANGE/YELLOW
34	YELLOW/ORANGE
35	GREEN/YELLOW
36	YELLOW/GREEN
37	N/C
	GREY/YELLOW
	ORANGE/VIOLET

GROUP 1
GROUP 2
GROUP 3 (con't above)

GROUP 3
GROUP 4
GROUP 5
WIRES 200mm AT D TYPE END AND OPEN END