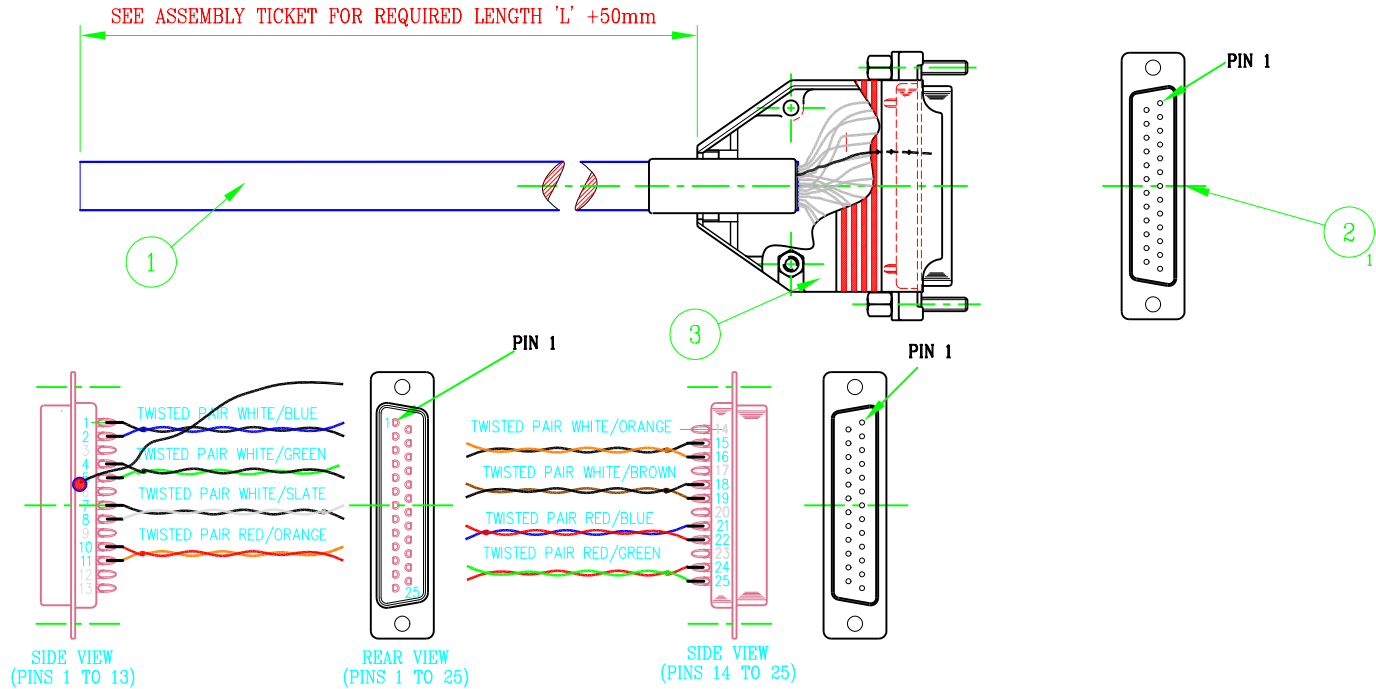


25 Way D Type Female Using 8 Pair 120 ohm Open Ended Cable Assembly 148-117



WIRE LIST		CONNECTOR 25WDM	
PIN No	WIRE COLOUR		
1	WHITE/BLUE	}	PAIR 1
2	BLUE/WHITE		
15	WHITE/ORANGE	}	PAIR 2
16	ORANGE/WHITE		
4	WHITE/GREEN	}	PAIR 3
5	GREEN/WHITE		
18	WHITE/BROWN	}	PAIR 4
19	BROWN/WHITE		
7	WHITE/SLATE	}	PAIR 5
8	SLATE/WHITE		
21	RED/BLUE	}	PAIR 6
22	BLUE/RED		
10	RED/ORANGE	}	PAIR 7
11	ORANGE/RED		
24	RED/GREEN	}	PAIR 8
25	RED/GREEN		
BODY	DRAIN WIRE		

PARTS LIST

ITEM No	FCA	DESCRIPTION	QTY
1		CABLE 8 PAIR 120ohm	A/R
2		CONNECTOR 'D'TYPE 25w SOCKET SOLDER.	1
3		COVER 25w 'D'TYPE METAL WITH SCREWLOCKS.	1
4		SLEEVE HEATSHRINK BLACK	.03
5		SLEEVE HEATSHRINK 10xØ1.6mm CLEAR.	16

DETAIL 1 CABLE PREPERATION

