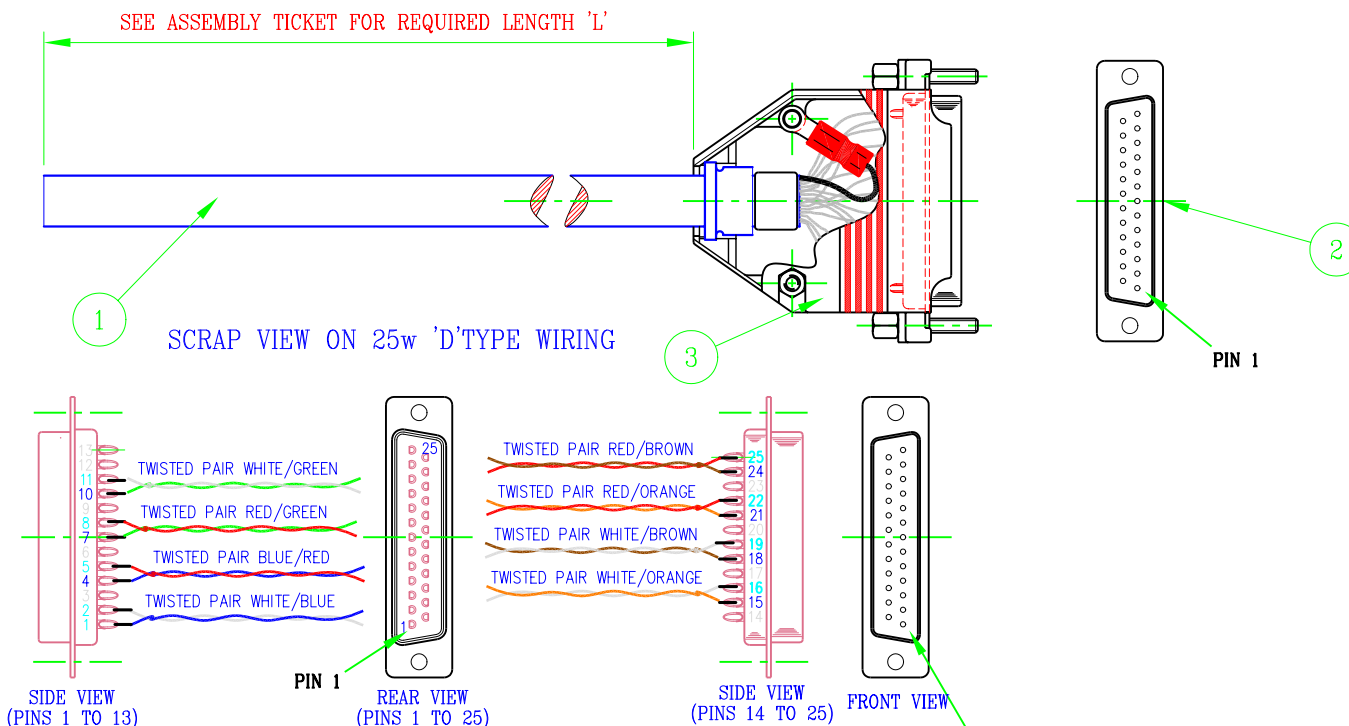


SDH 8 Pair EMC with 25w Socket Cable Assembly

148-115



WIRE LIST	
CONNECTOR 25WDM	
PIN No	WIRE COLOUR
1	WHITE/BLUE } PAIR 1
2	BLUE/WHITE }
3	NOT CONNECTED
4	WHITE/GREEN } PAIR 3
5	GREEN/WHITE }
6	NOT CONNECTED
7	RED/BLUE } PAIR 5
8	BLUE/RED }
9	NOT CONNECTED
10	RED/GREEN } PAIR 7
11	GREEN/RED }
12	NOT CONNECTED
13	NOT CONNECTED
14	NOT CONNECTED
15	WHITE/ORANGE } PAIR 2
16	ORANGE/WHITE }
17	NOT CONNECTED
18	WHITE/BROWN } PAIR 4
19	BROWN/WHITE }
20	NOT CONNECTED
21	RED/ORANGE } PAIR 6
22	ORANGE/RED }
23	NOT CONNECTED
24	RED/BROWN } PAIR 8
25	BROWN/RED }

PARTS LIST

ITEM No	FCA	DESCRIPTION	QTY
1		CABLE 8 PAIR 4 SCREENED.	A/R
2		CONNECTOR 'D'TYPE 25w SOCKET SOLDER.	1
3		COVER 25w 'D'TYPE METAL WITH SCREWLOCKS.	1
4		SLEEVE HEATSHRINK AD.LND 10xØ9.5mm.	1
5		TERMINAL RING TAG INSULATED RED.	1
6		SLEEVE HEATSHRINK 10xØ1.6mm CLEAR.	16

