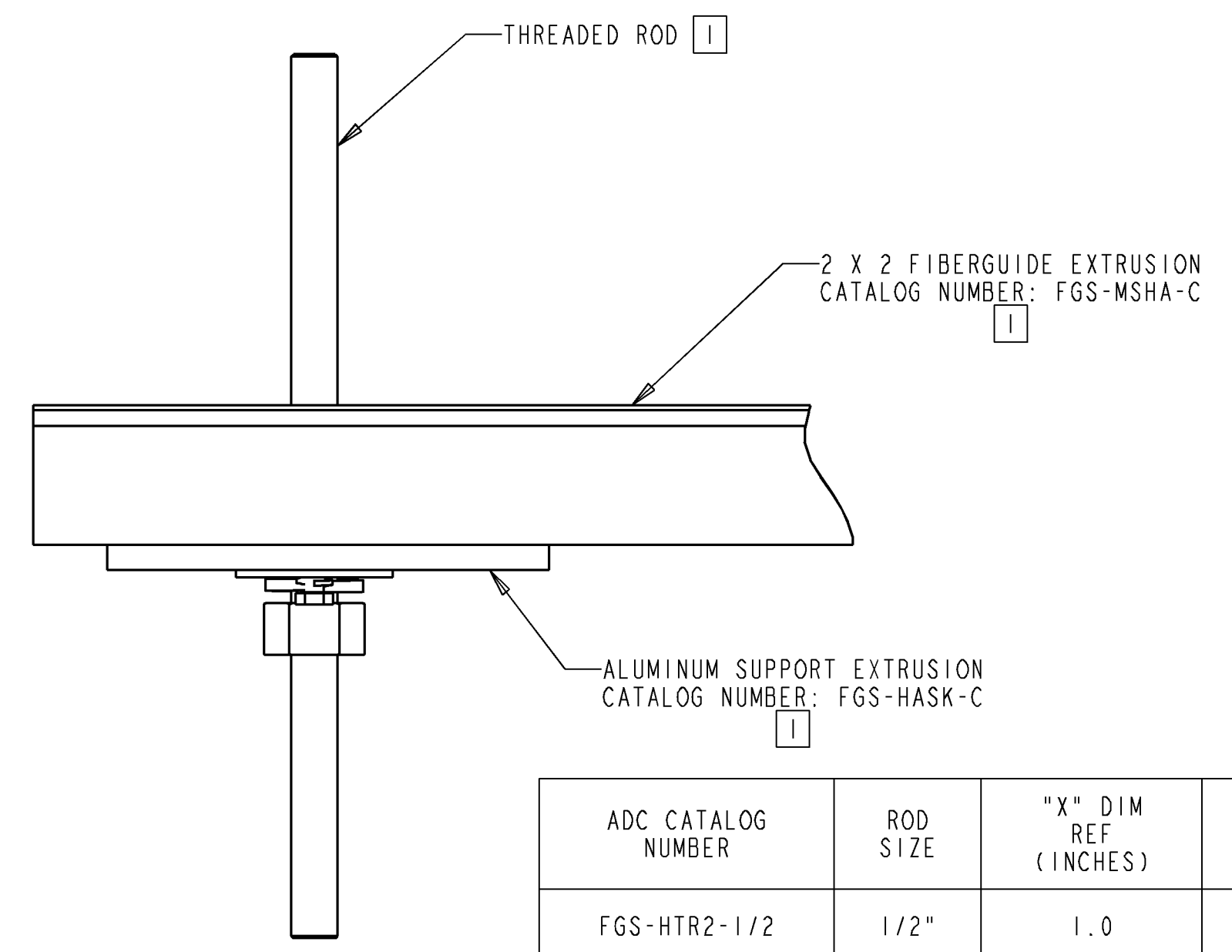
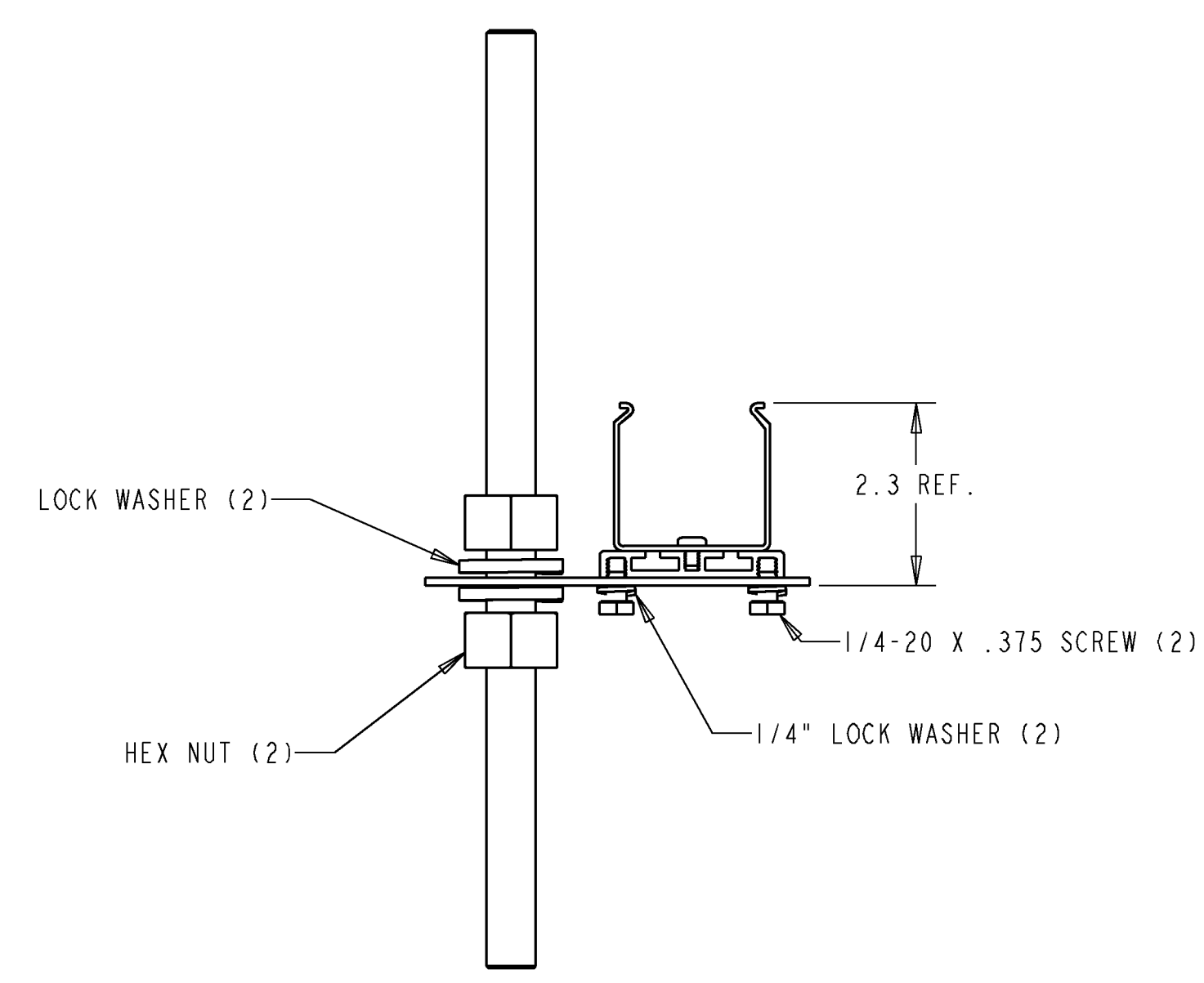
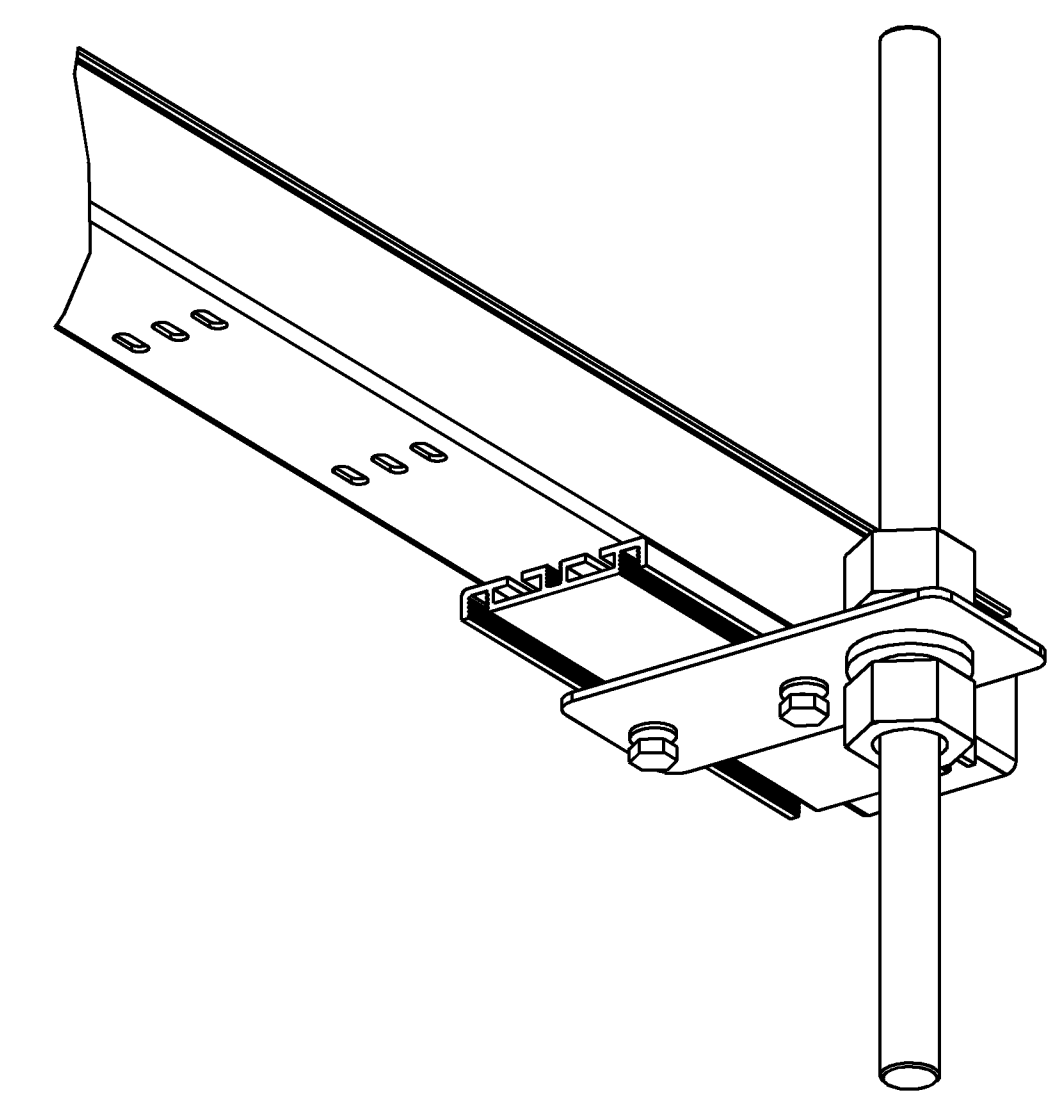
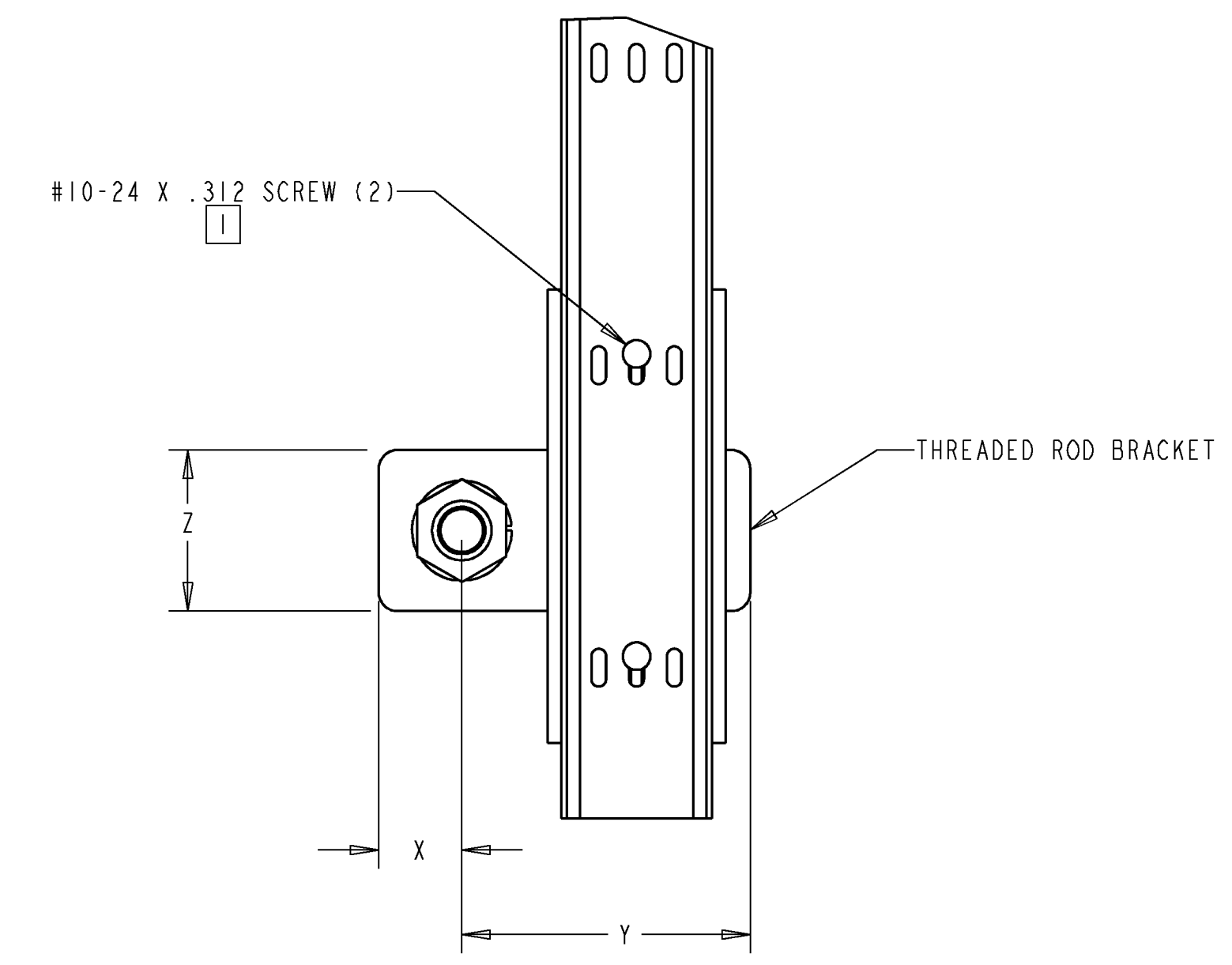


REV	ECO	DWN	DATE
A	20078124	CDZ	28-DEC-00
-	-----	---	-----



ADC CATALOG NUMBER	ROD SIZE	"X" DIM REF (INCHES)	"Y" DIM REF (INCHES)	"Z" DIM REF (INCHES)
FGS-HTR2-1/2	1/2"	1.0	3.4	2.0
FGS-HTR2-5/8	5/8"	1.0	3.4	2.0
FGS-HTR2-12MM	12MM	1.0	3.4	2.0
FGS-HTR2-20MM	20MM	1.1	3.8	2.1

NOTES:  
 [1] ITEMS NOT INCLUDED IN KIT.



INFORMATION ON THIS DOCUMENT IS PROPRIETARY TO ADC AND SHALL NOT BE USED, COPIED, REPRODUCED OR DISCLOSED IN WHOLE OR IN PART WITHOUT WRITTEN CONSENT OF ADC.

TOLERANCE UNLESS OTHERWISE SPECIFIED: .XX: ±.02, .XXX: ±.010, ANGULAR: ±2°

THIRD ANGLE PROJECTION

DO NOT SCALE DRAWING

ENGR: KEVIN HRUBY  
DWN: CRAIG ZELASKO

TITLE: KIT, 2" FGS, THREADED ROD BRKT (INST DWG)

DRAWING NUMBER: 1149363

SIZE: C

SHT. 1 OF 1